



US00D998740S

(12) **United States Design Patent**
Špine et al.

(10) **Patent No.:** **US D998,740 S**

(45) **Date of Patent:** **** Sep. 12, 2023**

(54) **FIREARM**

FOREIGN PATENT DOCUMENTS

(71) Applicant: **HS Produkt D. O. O.**, Karlovac (HR)

WO	WO 2009/147459	12/2009
WO	DM 096077	5/2017
WO	DM 206044	1/2020

(72) Inventors: **Marijo Špine**, Karlovac (HR); **Dennis J. Reese**, Geneseo, IL (US); **Stephen H. McKelvain**, Geneseo, IL (US)

Primary Examiner — Michael A. Pratt
(74) *Attorney, Agent, or Firm* — Woodard, Emhardt, Henry, Reeves & Wagner, LLP

(73) Assignee: **HS Produkt D.O.O.**, Karlovac (HR)

(**) Term: **15 Years**

(57) **CLAIM**

(21) Appl. No.: **29/735,752**

The ornamental design for a firearm, as shown and described.

(22) Filed: **May 22, 2020**

Related U.S. Application Data

DESCRIPTION

(63) Continuation-in-part of application No. 35/506,775, filed on Feb. 13, 2019 (U.S. filing date under 35 U.S.C. 384), and having an international filing date of Feb. 13, 2019, now Pat. No. Des. 894,310.

(51) **LOC (14) Cl.** **22-01**

(52) **U.S. Cl.**
USPC **D22/104**

(58) **Field of Classification Search**
USPC D22/104, 108; D21/573–575
CPC F41C 3/14; F41C 3/16; F41C 3/04
See application file for complete search history.

FIG. 1 is a left perspective view of the firearm showing our new design;
FIG. 2 is a right perspective view thereof;
FIG. 3 is a left side view thereof;
FIG. 4 is a right side view thereof;
FIG. 5 is a top view thereof;
FIG. 6 is a bottom view thereof;
FIG. 7 is a front view thereof;
FIG. 8 is a back view thereof;
FIG. 9 is a left perspective view of a second embodiment of the firearm;
FIG. 10 is a right perspective view thereof;
FIG. 11 is a left side view thereof;
FIG. 12 is a right side view thereof;
FIG. 13 is a top view thereof;
FIG. 14 is a bottom view thereof;
FIG. 15 is a front view thereof; and,
FIG. 16 is a back view thereof.

(56) **References Cited**

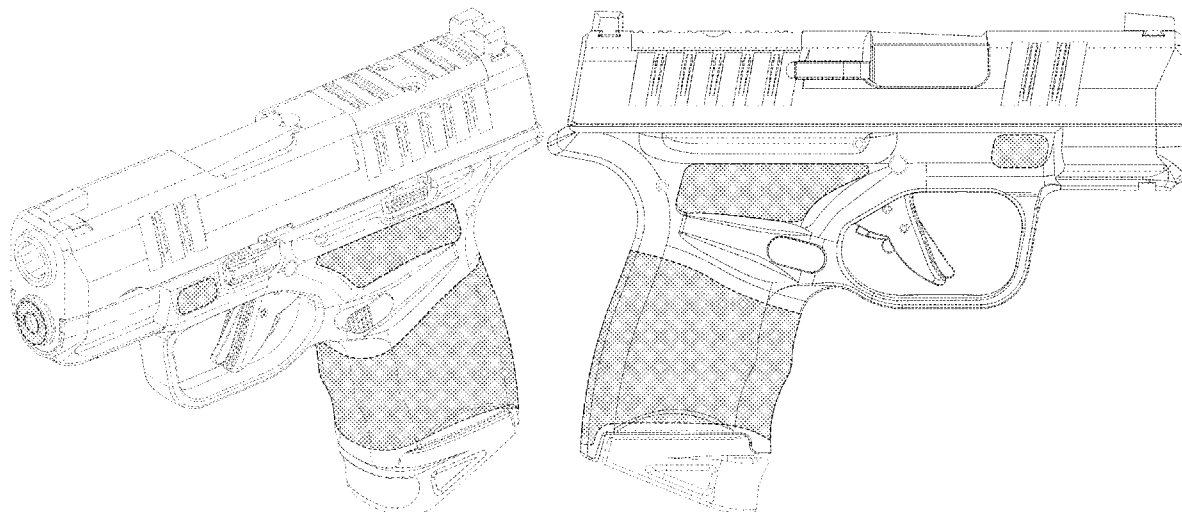
U.S. PATENT DOCUMENTS

6,860,053	B2	3/2005	Christiansen	
D516,661	S *	3/2006	McGarry	D22/104
D560,750	S	1/2008	Potter	
D598,065	S	8/2009	Vukovic et al.	
D700,267	S	2/2014	Barfoot et al.	
D702,803	S	4/2014	Barfoot et al.	
D710,966	S	8/2014	Barfoot et al.	
D720,423	S	12/2014	Barfoot et al.	
D735,832	S	8/2015	Fitzpatrick et al.	
D808,487	S *	1/2018	Beville	D22/104
D823,969	S *	7/2018	Beville	D22/104

(Continued)

The broken lines illustrate portions of the firearm or environmental structure and form no part of the claimed design. The stipple shading depicts areas of the firearm having stipple texture but does not necessarily describe any particular stipple texture or color or material.

1 Claim, 12 Drawing Sheets



(56)

References Cited

U.S. PATENT DOCUMENTS

D849,174 S * 5/2019 Beville D22/104
D854,642 S * 7/2019 Shinkle D22/104
D857,142 S * 8/2019 Beville D22/104
D865,897 S 11/2019 Reese et al.
2005/0188585 A1 * 9/2005 Vicate F41C 23/00
42/75.1
2017/0205189 A1 * 7/2017 Rogers F41C 33/0254
2018/0363998 A1 * 12/2018 Collins F41A 3/72

* cited by examiner

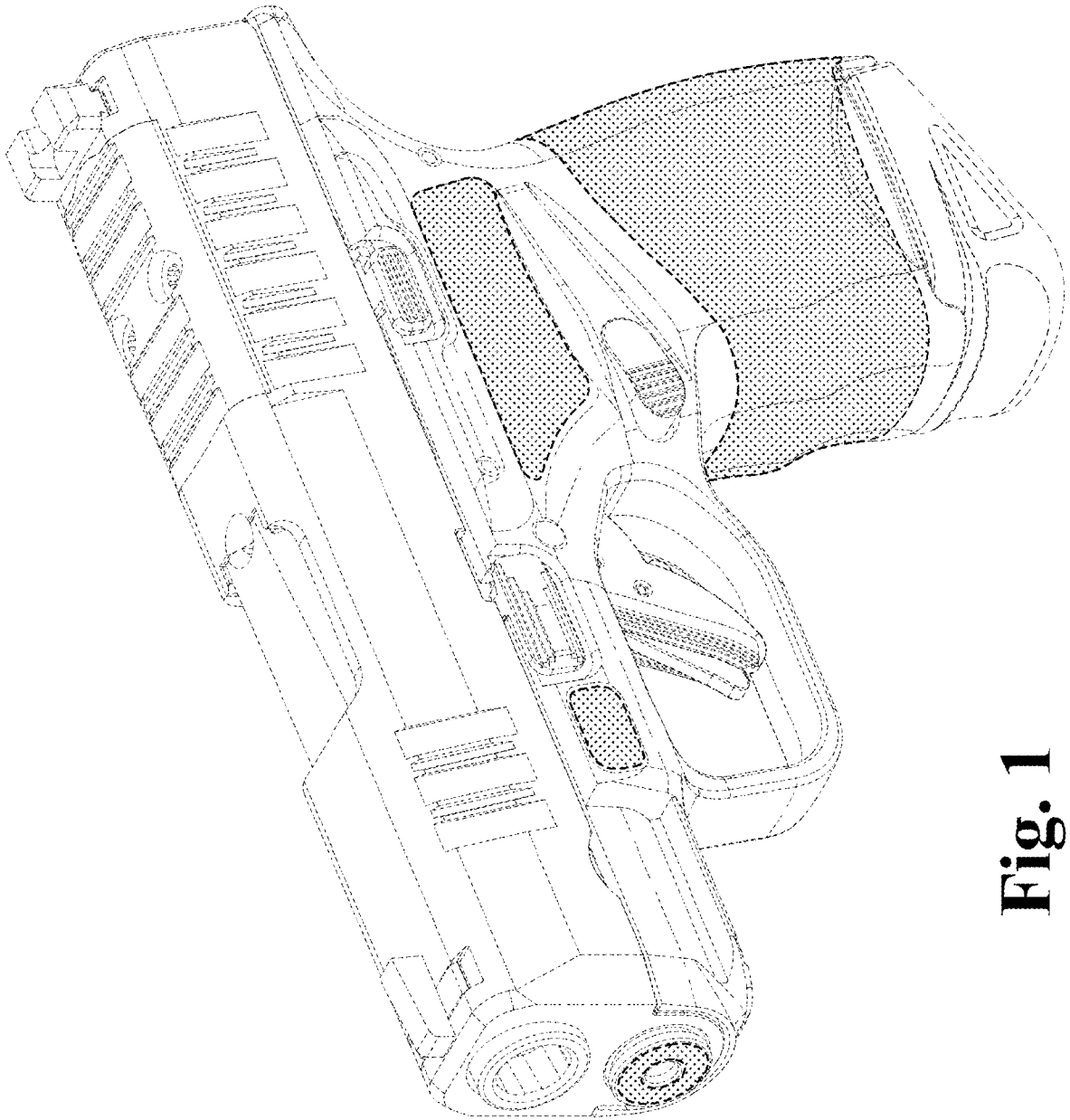


Fig. 1

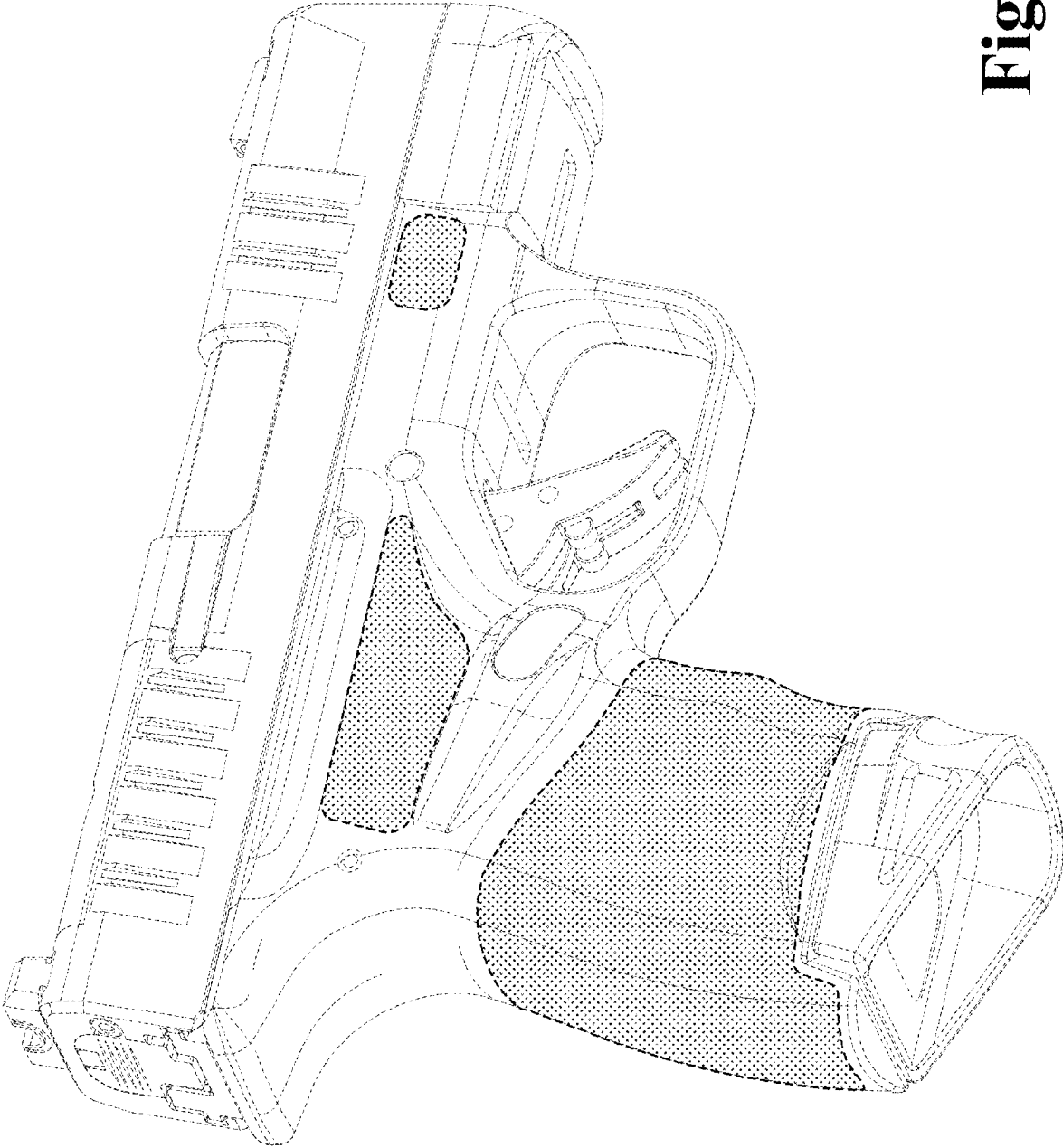


Fig. 2

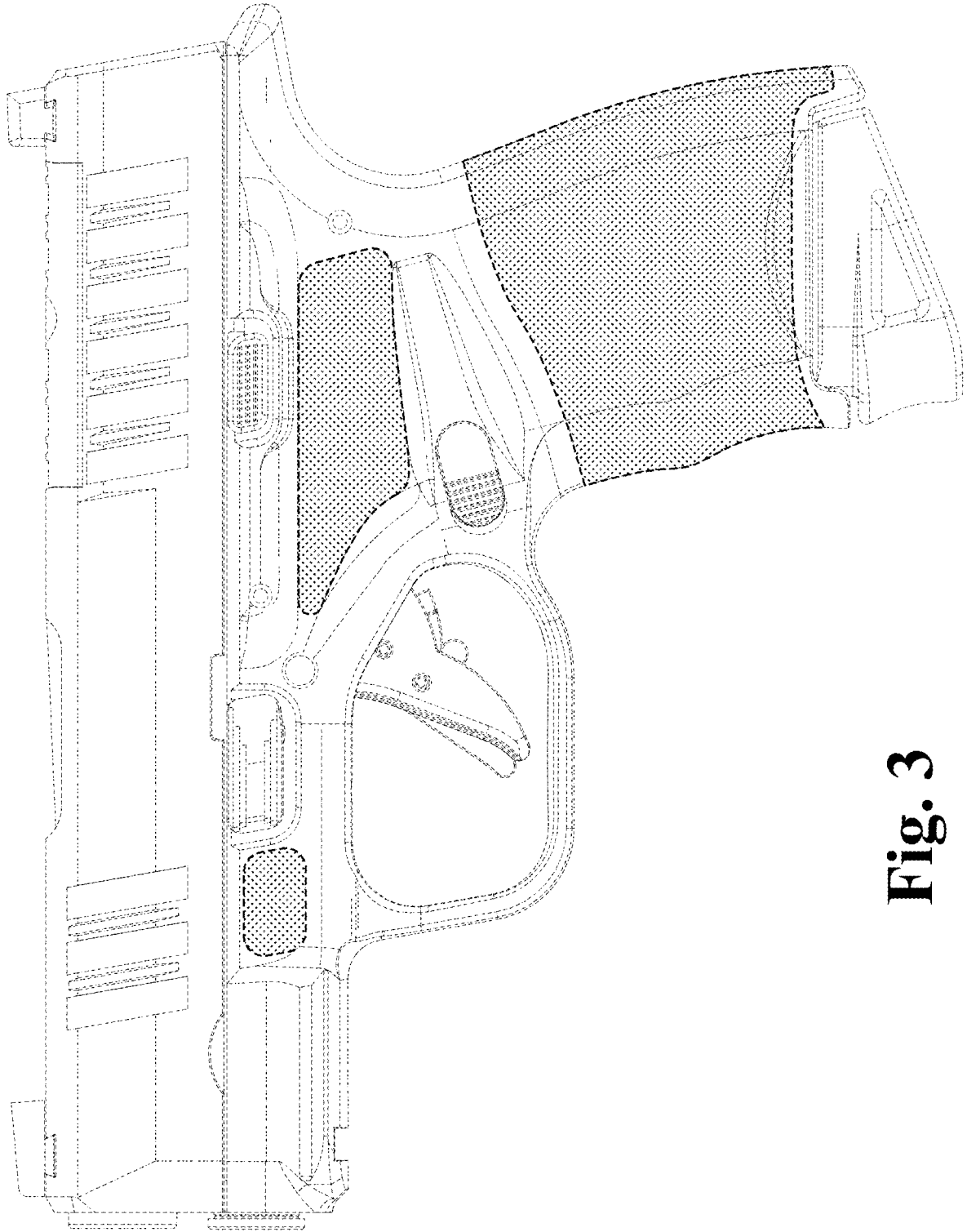


Fig. 3

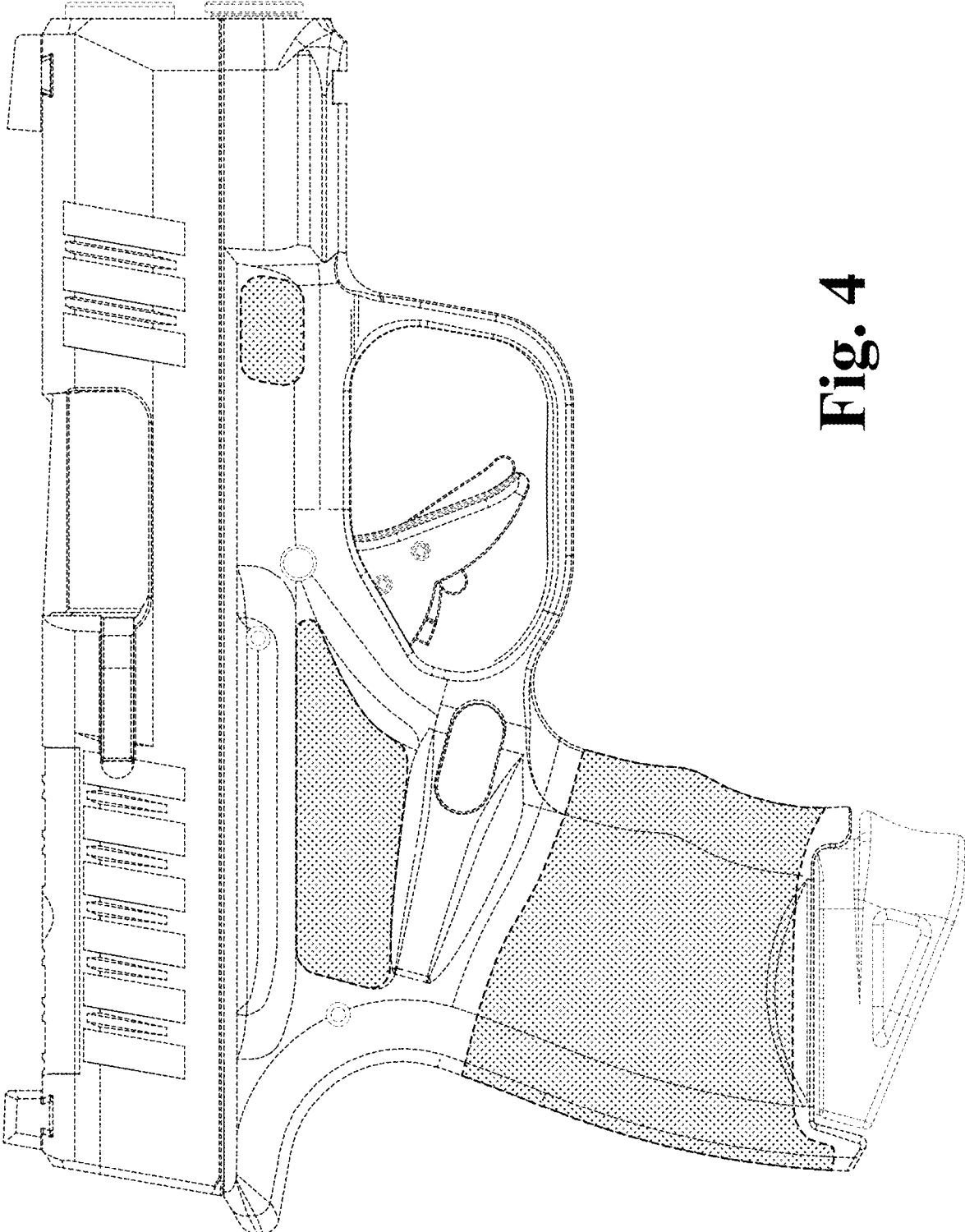


Fig. 4

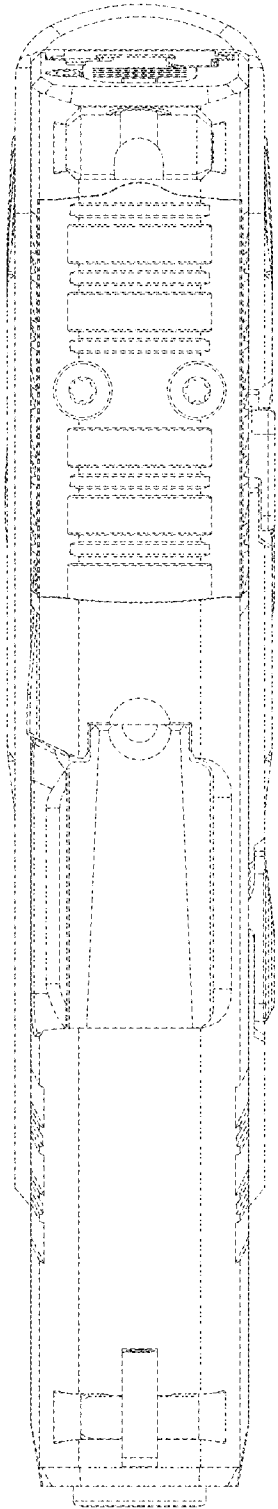


Fig. 5

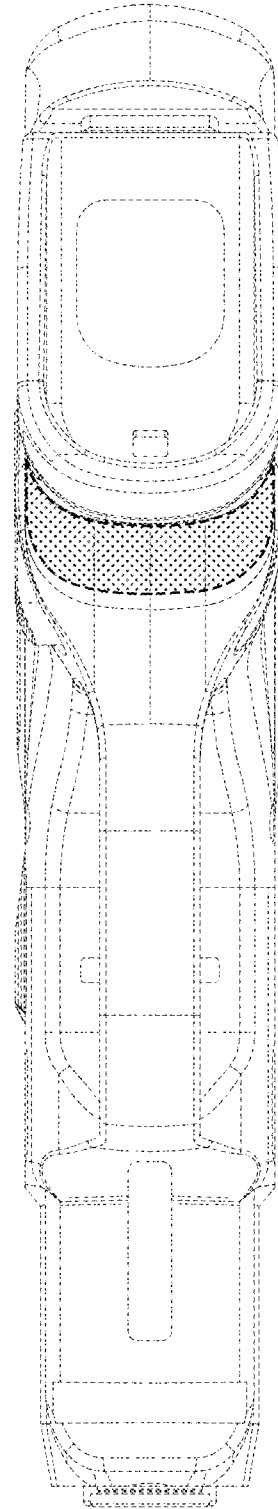


Fig. 6

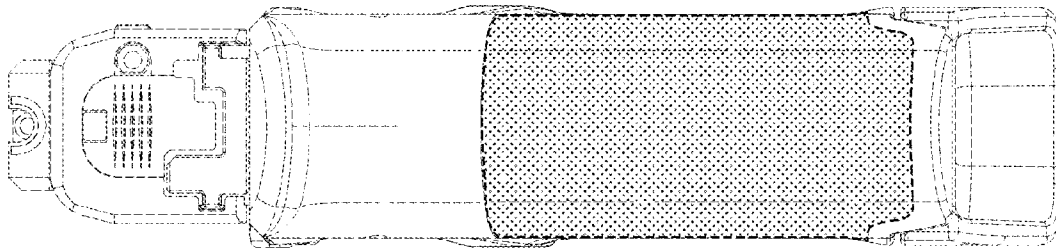


Fig. 8

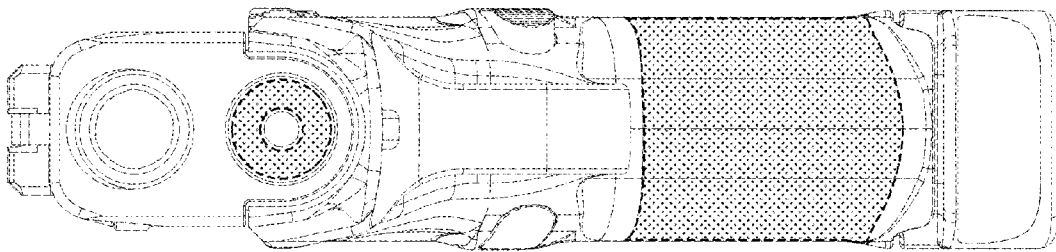


Fig. 7

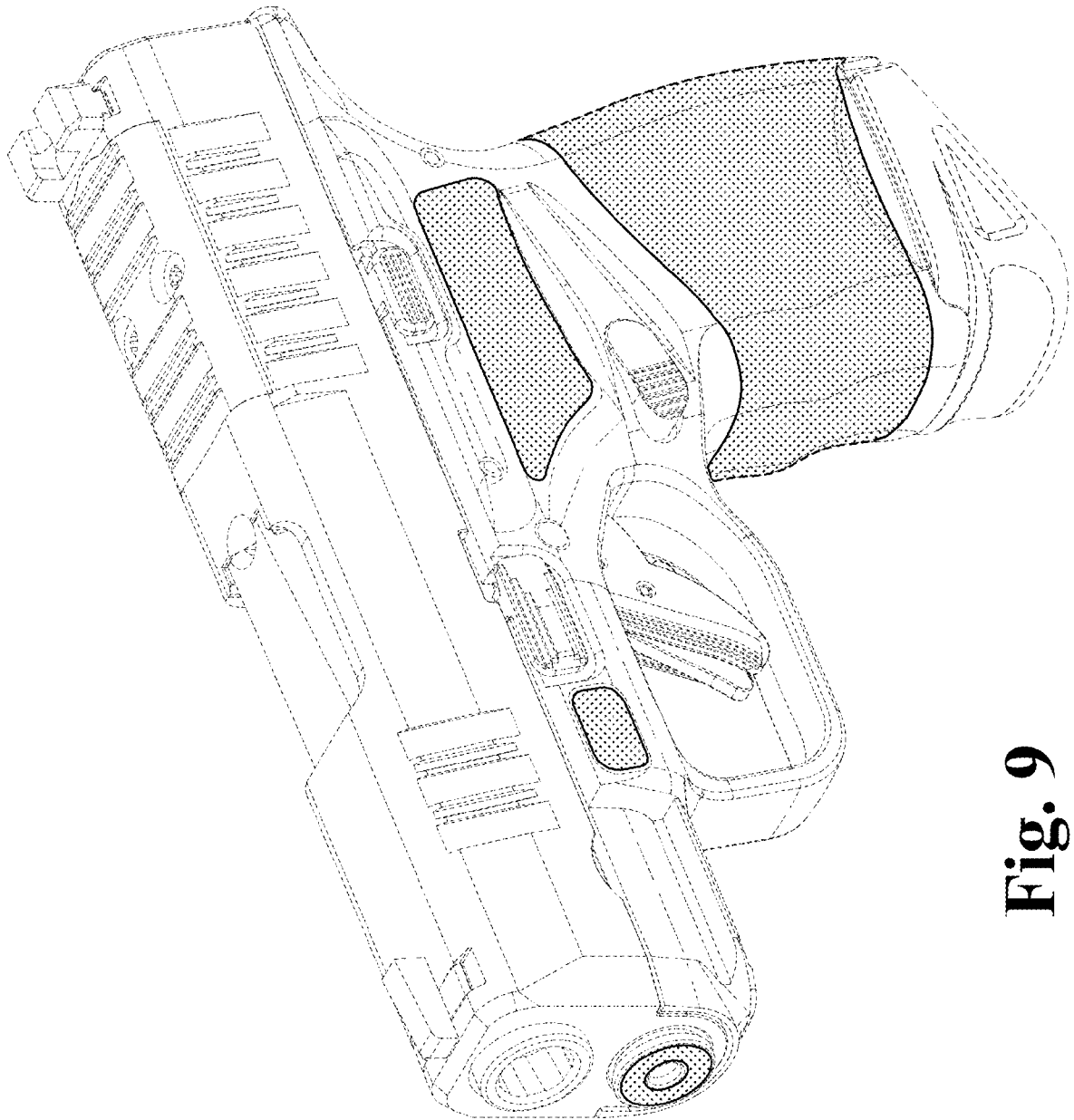


Fig. 9

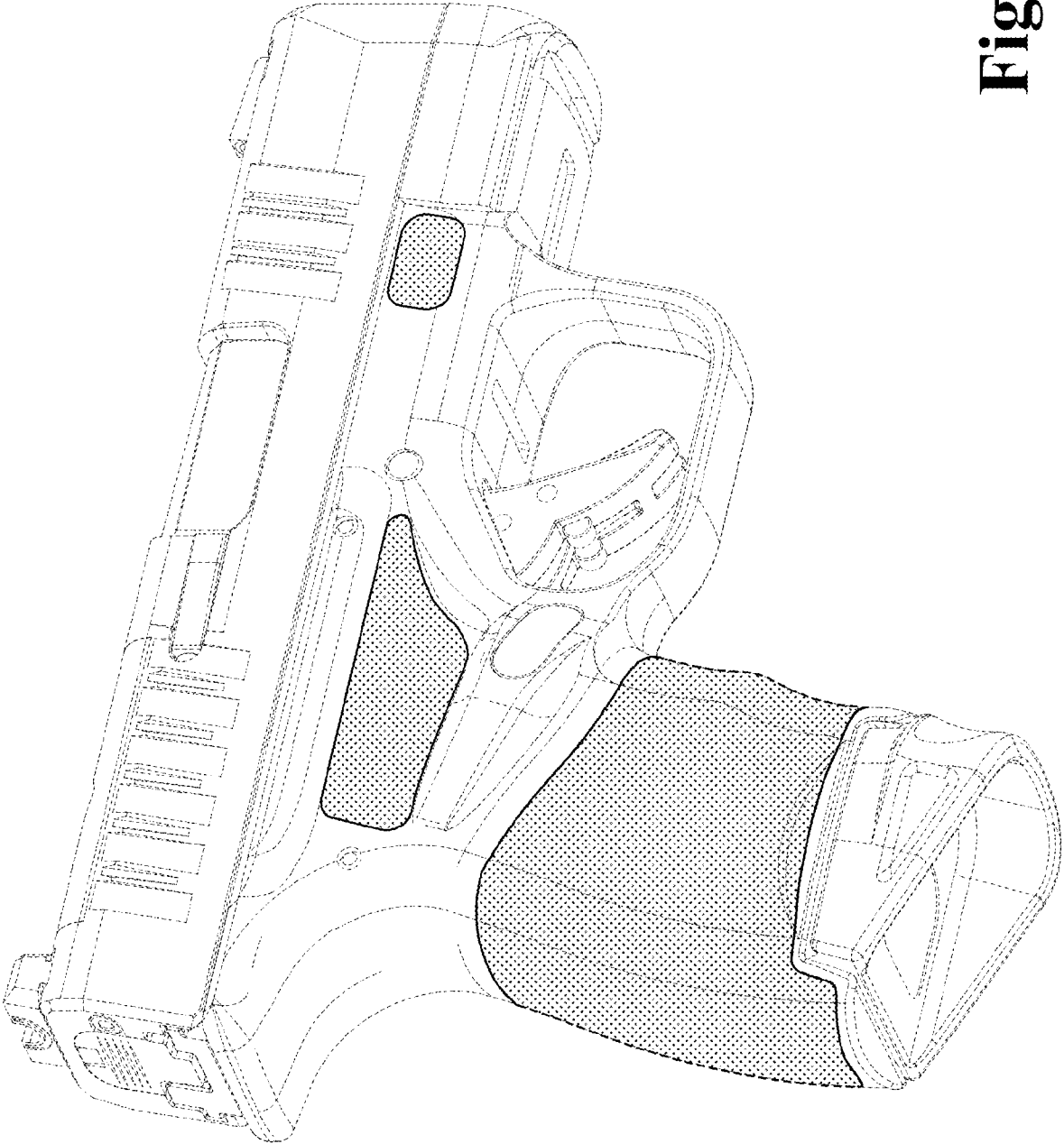


Fig. 10

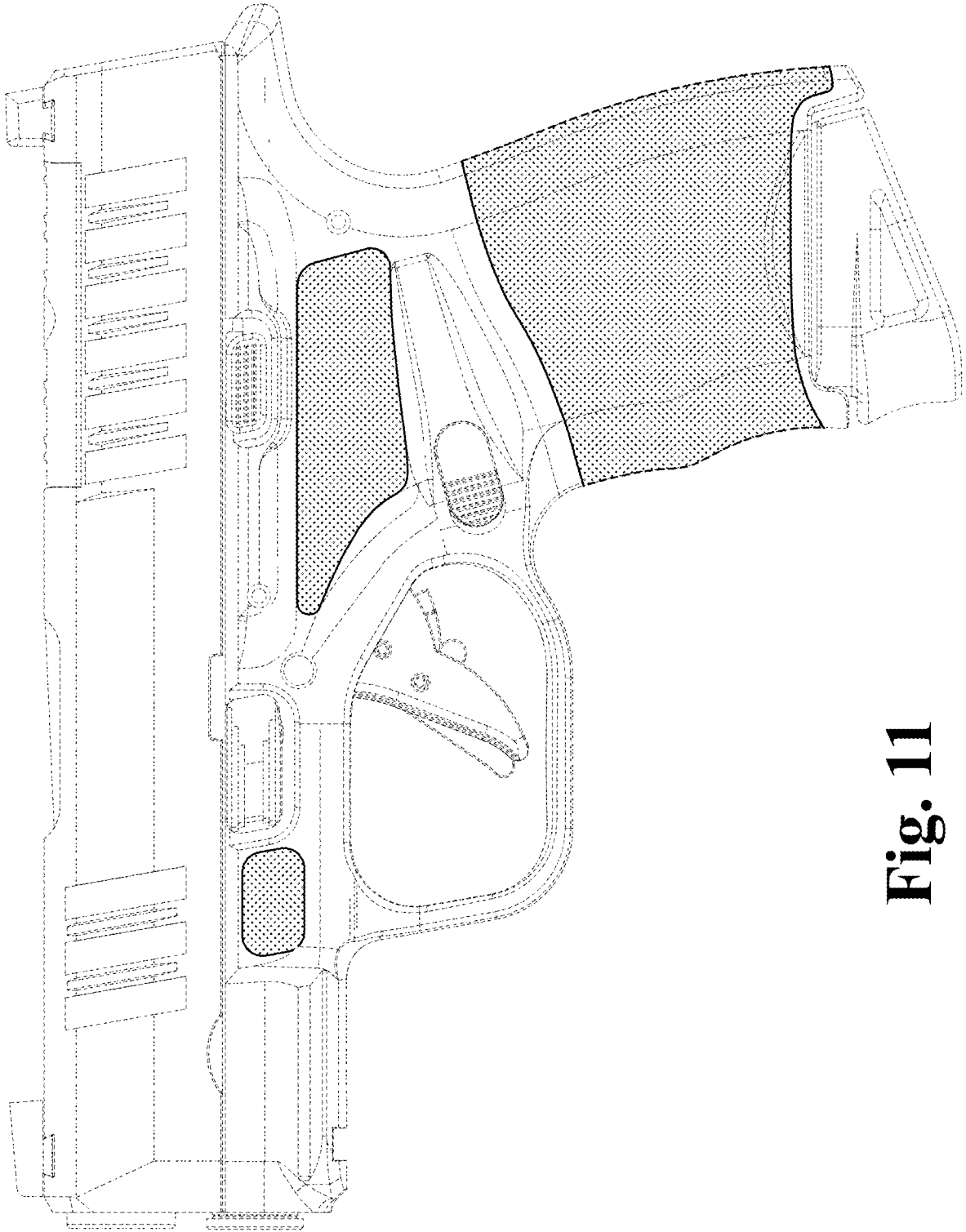


Fig. 11

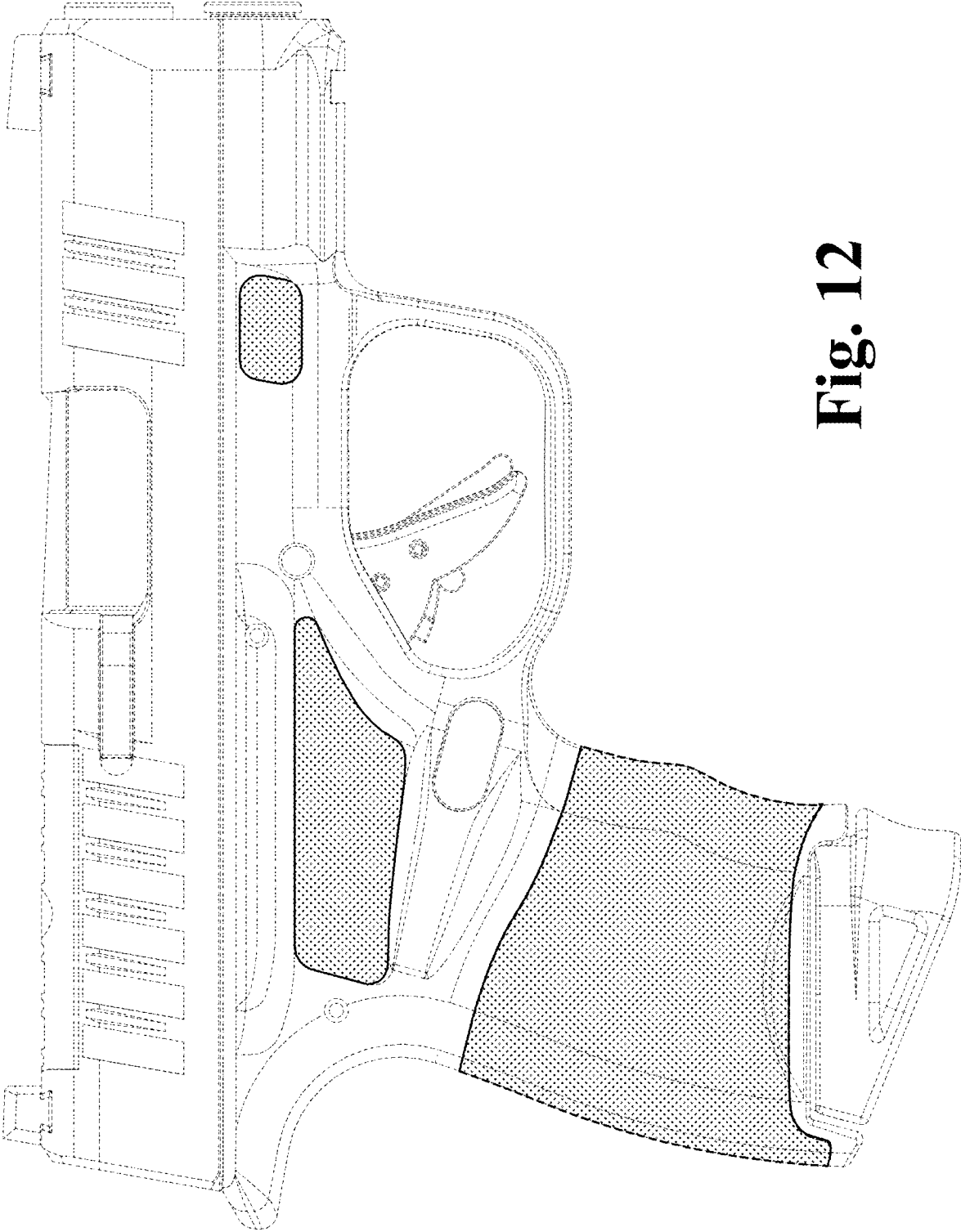


Fig. 12

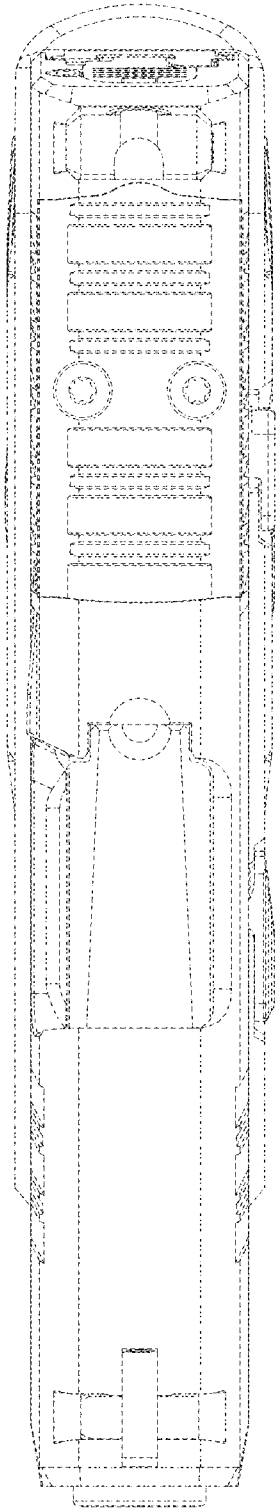


Fig. 13

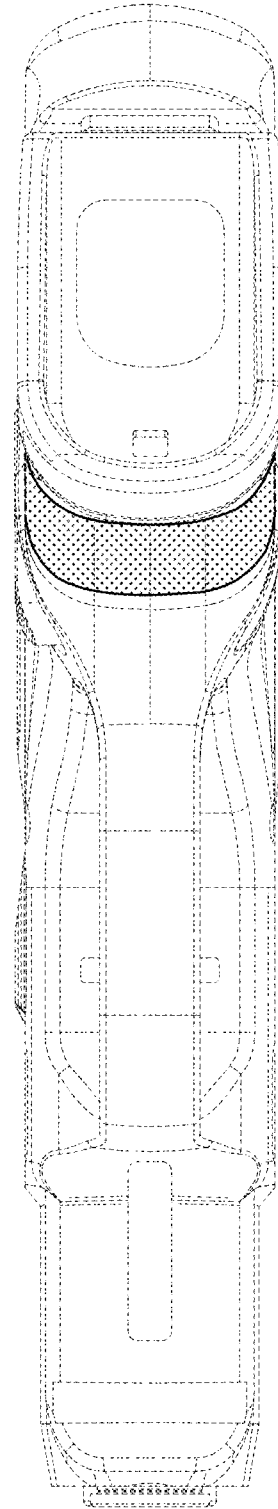


Fig. 14

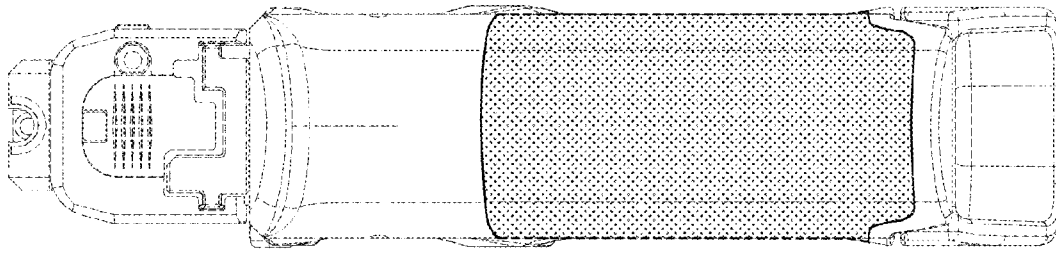


Fig. 15

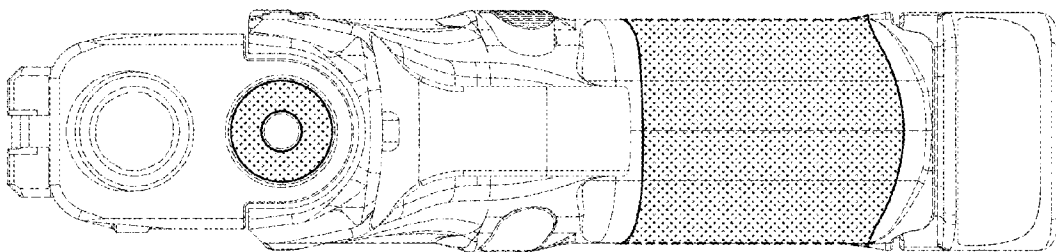


Fig. 16