



US00D994822S

(12) **United States Design Patent**  
**Špine et al.**

(10) **Patent No.:** **US D994,822 S**

(45) **Date of Patent:** **\*\* Aug. 8, 2023**

(54) **PISTOL**

(71) Applicant: **HS Produkt D. O. O.**, Karlovac (HR)

(72) Inventors: **Marijo Špine**, Karlovac (HR); **Dennis J. Reese**, Geneseo, IL (US); **Stephen H. McKelvain**, Geneseo, IL (US)

(73) Assignee: **HS Produkt D.O.O.**, Karlovac (HR)

(\*\*) Term: **15 Years**

(21) Appl. No.: **29/735,662**

(22) Filed: **May 22, 2020**

**Related U.S. Application Data**

(63) Continuation-in-part of application No. 35/506,775, filed on Feb. 13, 2019 (U.S. filing date under 35 U.S.C. 384), and having an international filing date of Feb. 13, 2019, now Pat. No. Des. 894,310.

(51) **LOC (14) Cl.** ..... **22-01**

(52) **U.S. Cl.** ..... **D22/104**

(58) **Field of Classification Search**

USPC ..... D22/104, 108; D21/573–575

CPC ..... F41C 3/14; F41C 3/16; F41C 3/04

See application file for complete search history.

(56) **References Cited**

**U.S. PATENT DOCUMENTS**

D516,661 S \* 3/2006 McGarry ..... D22/104  
D598,065 S 8/2009 Vukovic et al.  
D808,487 S \* 1/2018 Seville ..... D22/104  
D823,969 S \* 7/2018 Seville ..... D22/104

D849,174 S \* 5/2019 Seville ..... D22/104  
D854,642 S \* 7/2019 Shinkle ..... D22/104  
D857,142 S \* 8/2019 Seville ..... D22/104  
D865,897 S 11/2019 Reese et al.  
10,760,861 B2 9/2020 Williams  
2005/0188585 A1\* 9/2005 Vicate ..... F41C 23/00  
42/75.1  
2017/0205189 A1\* 7/2017 Rogers ..... F41C 33/0254  
2018/0363998 A1\* 12/2018 Collins ..... F41A 3/72

**FOREIGN PATENT DOCUMENTS**

WO WO 2009/147459 12/2009  
WO DM 096077 5/2017  
WO DM 206044 1/2020

\* cited by examiner

*Primary Examiner* — Michael A. Pratt

(74) *Attorney, Agent, or Firm* — Woodard, Emhardt, Henry, Reeves & Wagner, LLP

(57) **CLAIM**

The ornamental design for a pistol, as shown and described.

**DESCRIPTION**

FIG. 1 is a front perspective view of the pistol showing our new design;

FIG. 2 is a back perspective view thereof;

FIG. 3 is a left side view thereof;

FIG. 4 is a right side view thereof;

FIG. 5 is a top view thereof;

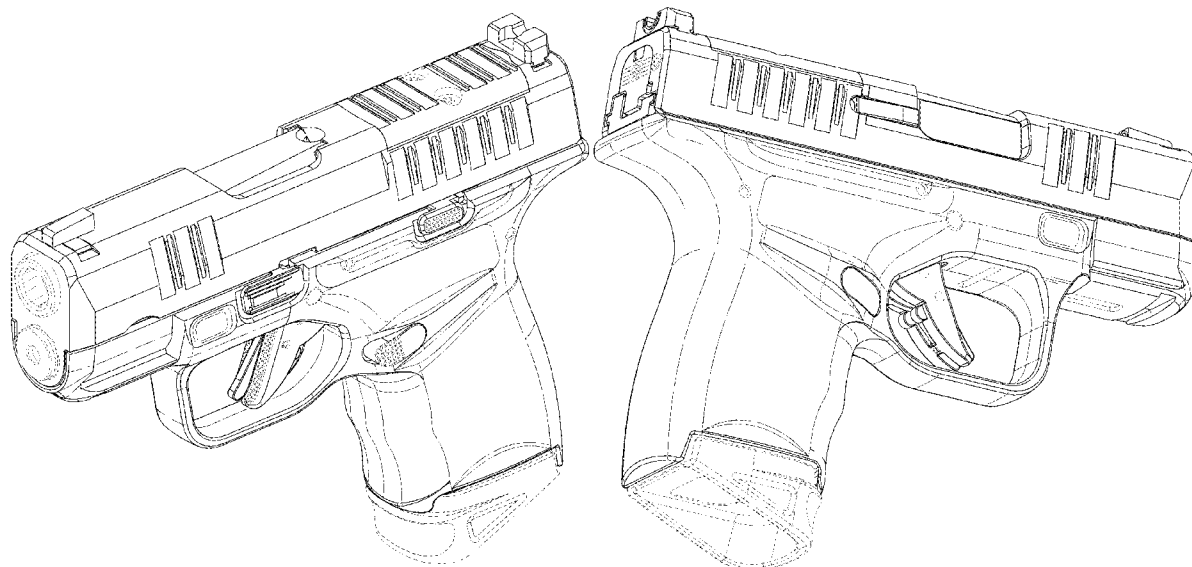
FIG. 6 is a bottom view thereof;

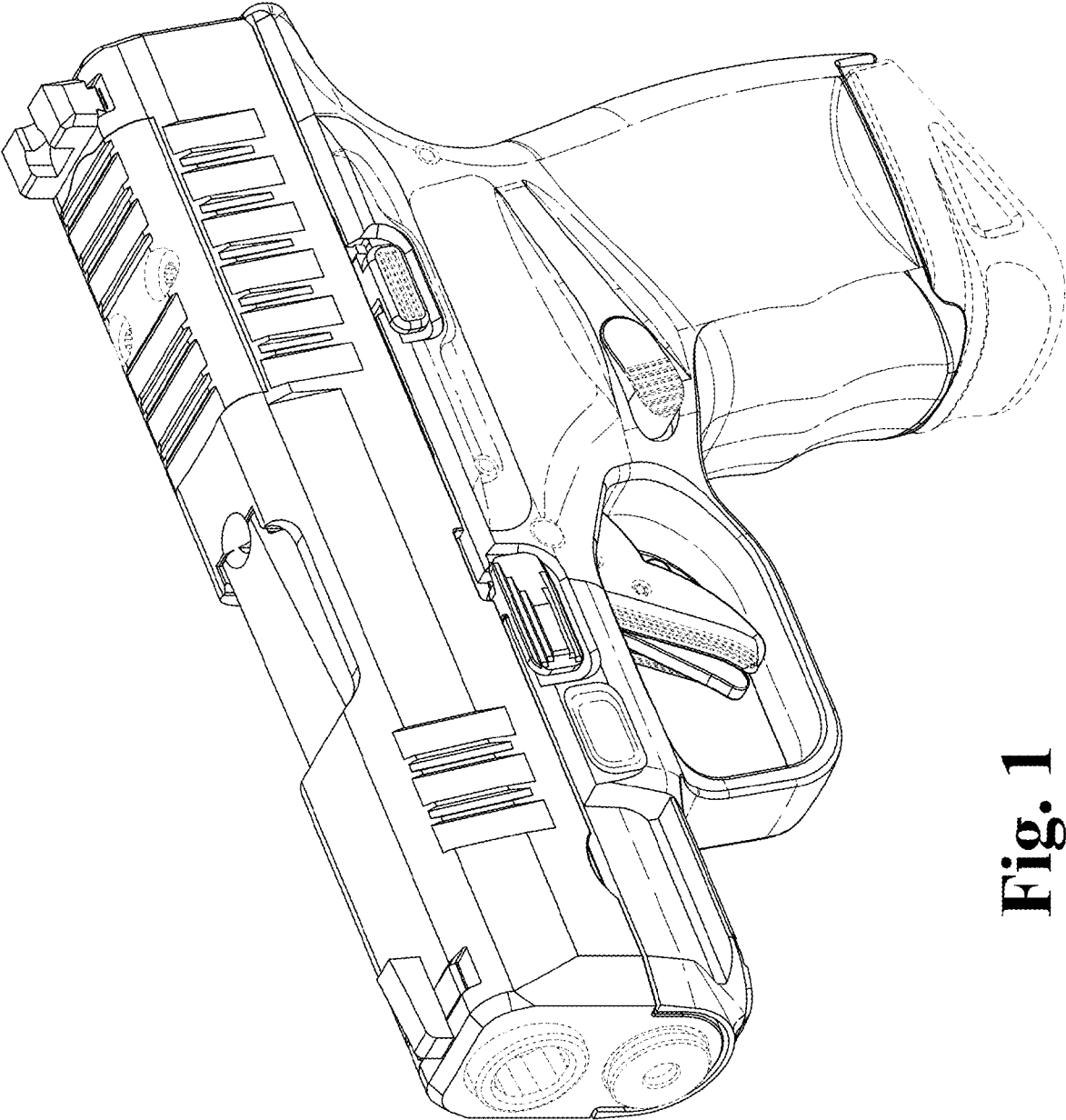
FIG. 7 is a front view thereof; and,

FIG. 8 is a back view thereof.

The broken lines illustrate portions of the pistol and magazine that form no part of the claimed design.

**1 Claim, 6 Drawing Sheets**





**Fig. 1**

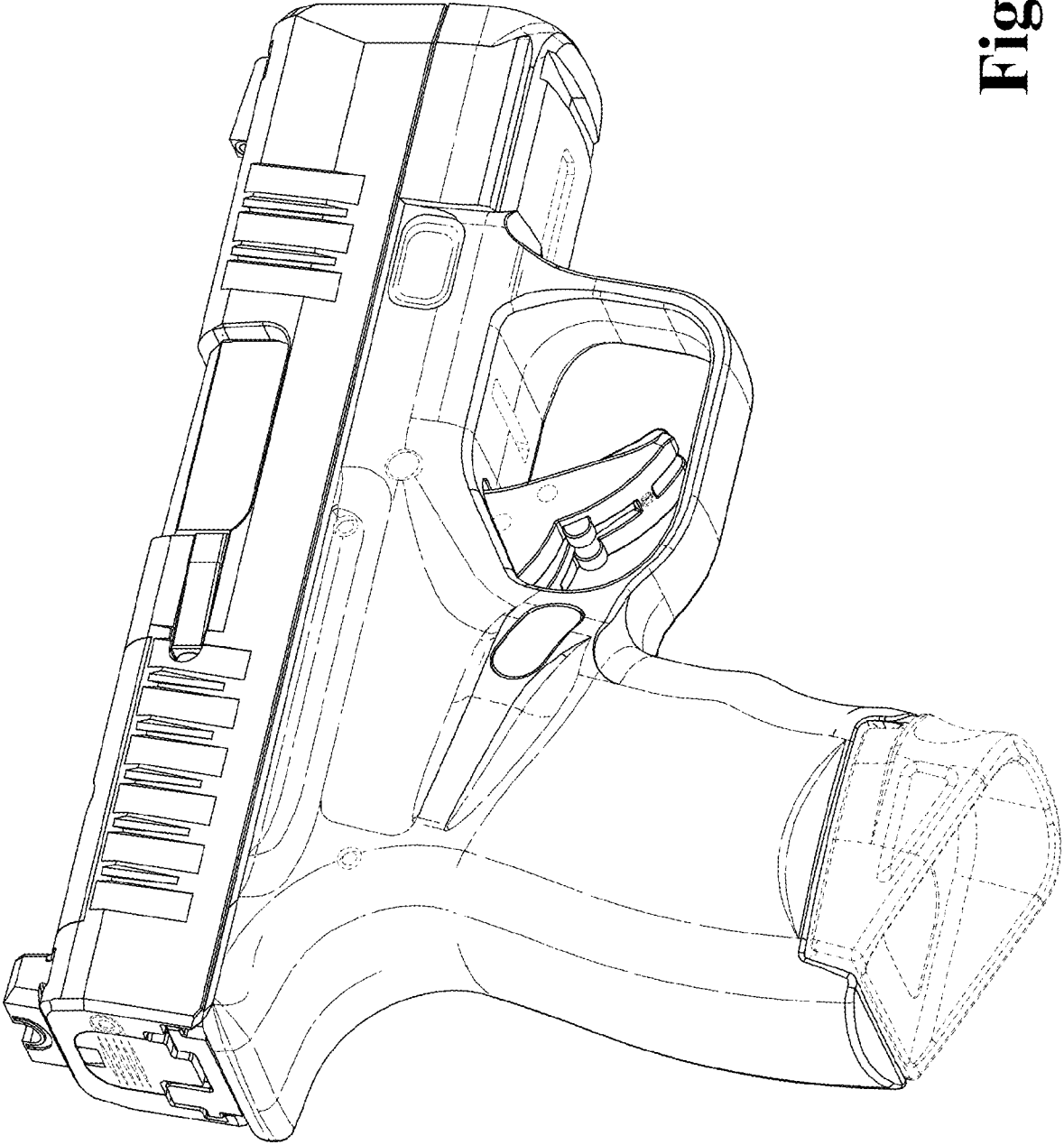
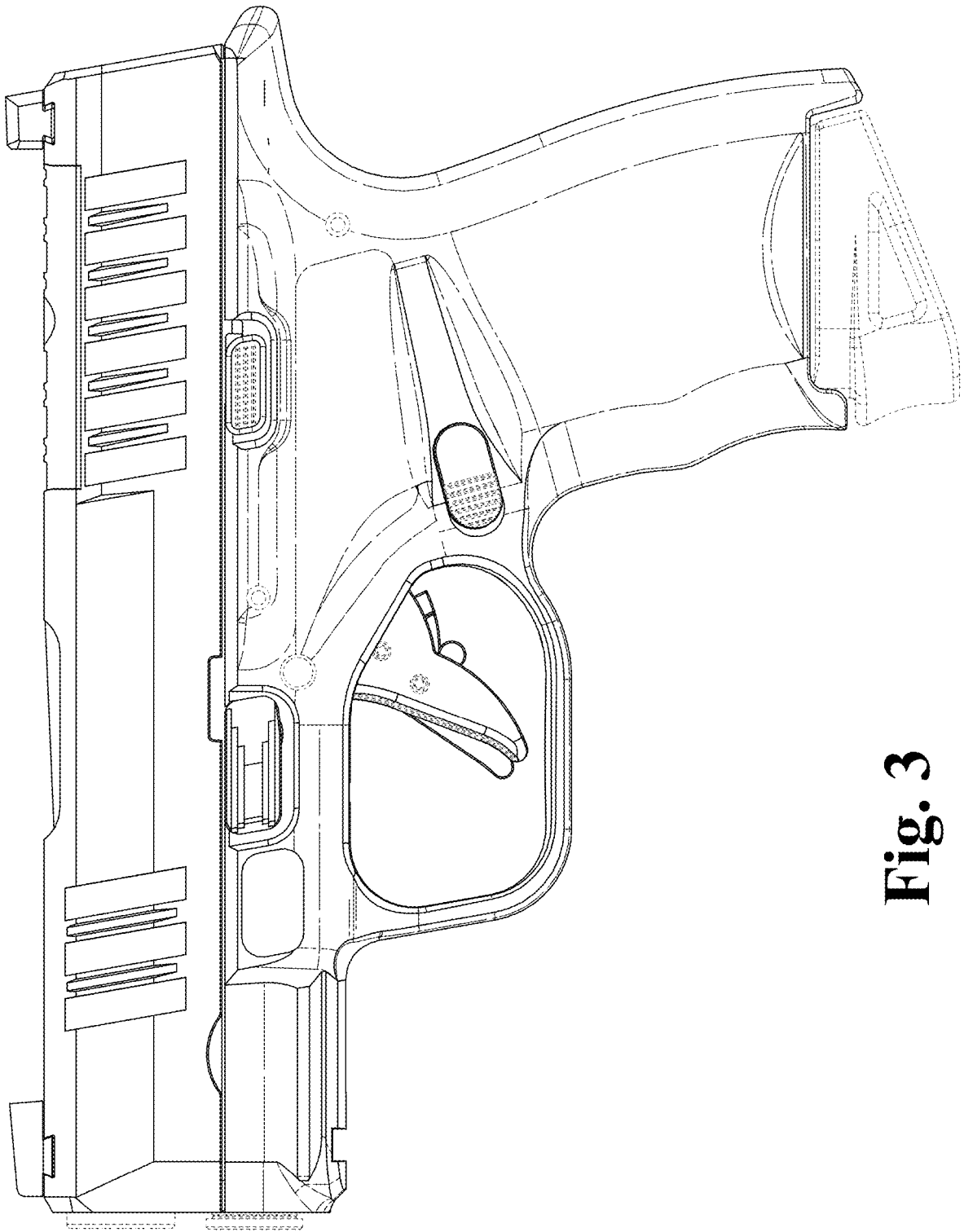


Fig. 2



**Fig. 3**

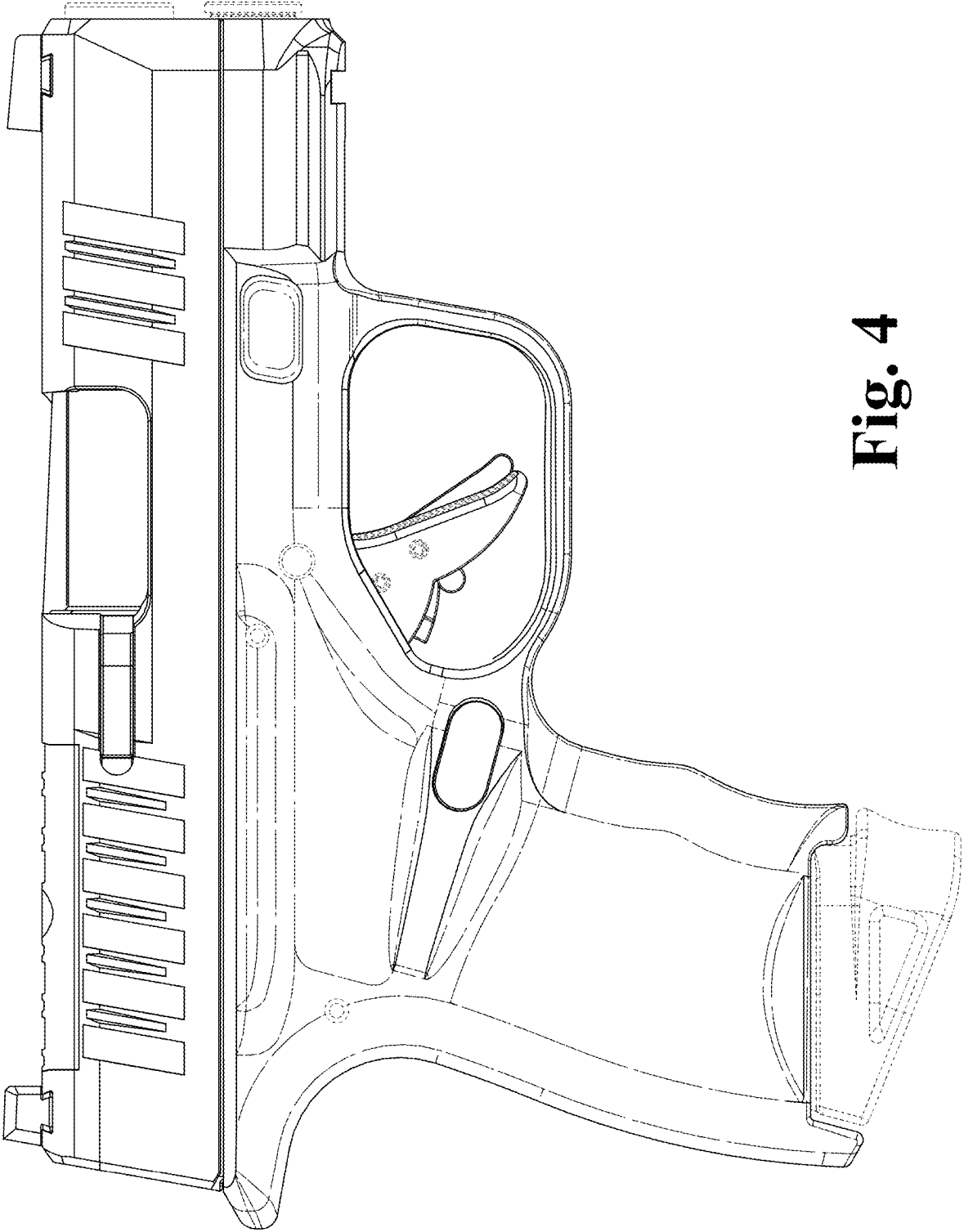
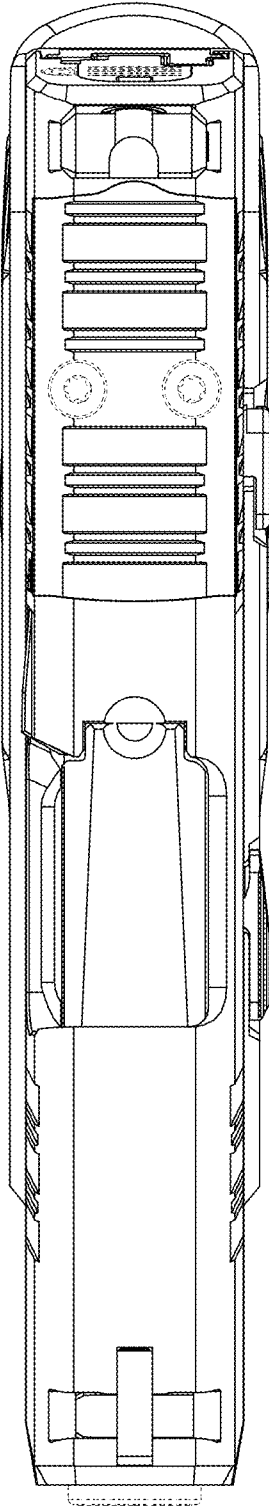
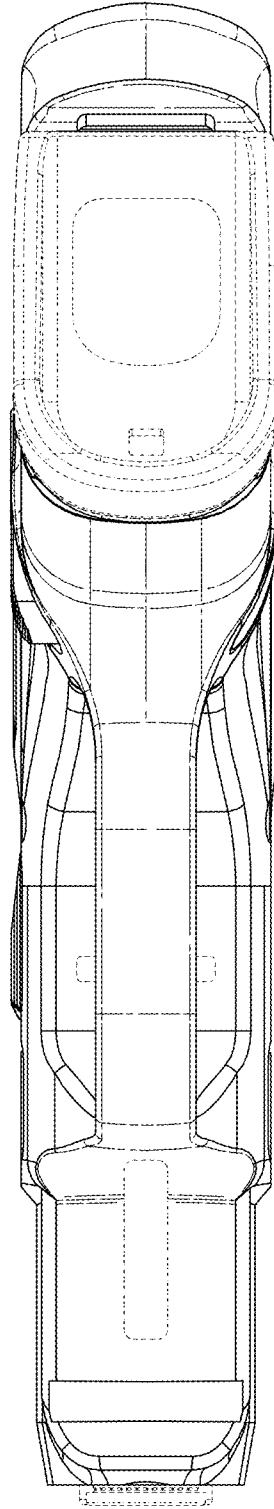


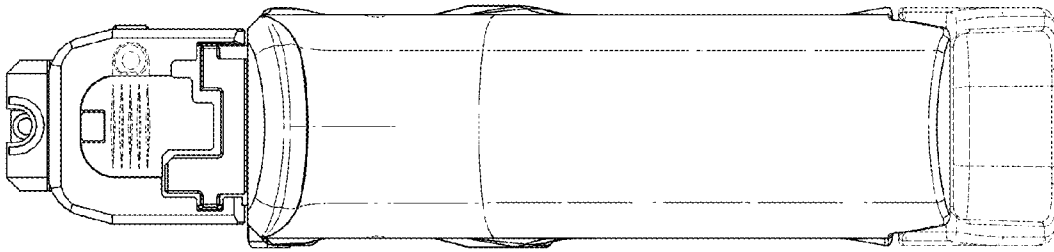
Fig. 4



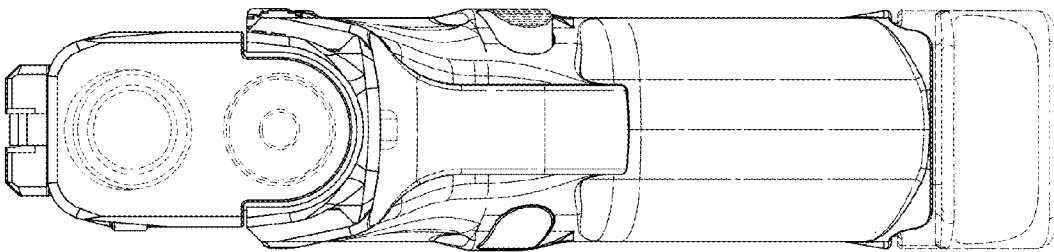
**Fig. 5**



**Fig. 6**



**Fig. 8**



**Fig. 7**