



US00D987010S

(12) **United States Design Patent**
Špine et al.

(10) **Patent No.:** **US D987,010 S**

(45) **Date of Patent:** **** May 23, 2023**

(54) **PISTOL MAGAZINE**

FOREIGN PATENT DOCUMENTS

(71) Applicant: **HS Produkt D. O. O.**, Karlovac (HR)

IL 67889 * 10/2021
WO WOD217015-001 * 10/2021

(72) Inventors: **Marijo Špine**, Karlovac (HR); **Dennis J. Reese**, Geneseo, IL (US); **Stephen H. McKelvain**, Geneseo, IL (US)

OTHER PUBLICATIONS

(73) Assignee: **HS Produkt, D. O. O.**, Karlovac (HR)

Sigsauer, Online Product Page. Earliest Publication Date: Mar. 24, 2022. Date Accessed: Oct. 18, 2022. Accessed on the Internet URL: <https://www.sigsauer.com/p365-micro-compact-15rd-9mm-magazine.html> (Year: 2022).*

(**) Term: **15 Years**

(Continued)

(21) Appl. No.: **29/780,095**

(22) Filed: **Apr. 22, 2021**

Primary Examiner — S. Bryan Reinholdt, Jr.

Assistant Examiner — Kaitlan N Oliver

(51) **LOC (14) Cl.** **22-01**

(74) *Attorney, Agent, or Firm* — Woodard, Emhardt, Henry, Reeves & Wagner, LLP

(52) **U.S. Cl.**

USPC **D22/108**

(58) **Field of Classification Search**

USPC D21/302, 567, 573; D22/104, 108, 199
CPC .. F41C 7/00; F41C 23/16; F41C 27/00; F41A 17/38; F41G 1/02; F41G 1/027; F41G 1/14; F41J 1/10; F42B 6/10; F42B 7/00; F42B 7/02

See application file for complete search history.

(57) **CLAIM**

The ornamental design for a pistol magazine, as shown and described.

(56) **References Cited**

DESCRIPTION

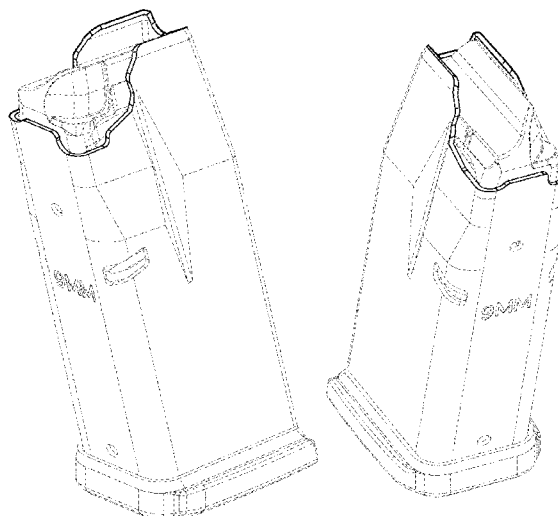
U.S. PATENT DOCUMENTS

D376,187 S * 12/1996 Haber D22/199
D755,336 S * 5/2016 Nakayama D22/108
9,383,152 B2 * 7/2016 Nakayama F41A 9/70
D783,111 S * 4/2017 Hillis D22/108
D834,130 S * 11/2018 Scheffer D22/108
D858,680 S 9/2019 Thomele et al.
D859,571 S 9/2019 Spine
10,480,880 B2 11/2019 Thomele et al.
10,619,959 B1 * 4/2020 Loveday, IV F41A 9/72
D884,110 S * 5/2020 Yeates D22/108
10,801,792 B2 * 10/2020 Pini F41A 9/65
D912,190 S 3/2021 Thomele et al.
D912,191 S 3/2021 Thomele et al.
10,962,315 B2 * 3/2021 Thomele F41A 9/65
D917,649 S 4/2021 Thomele et al.

FIG. 1 is a right upper perspective view of the pistol magazine showing our new design;
FIG. 2 is a left upper perspective view thereof;
FIG. 3 is a right lower perspective view thereof;
FIG. 4 is a rear perspective view thereof;
FIG. 5 is a front view thereof;
FIG. 6 is a right side view thereof;
FIG. 7 is a left side view thereof;
FIG. 8 is a rear view thereof;
FIG. 9 is a top view thereof; and,
FIG. 10 is a bottom view thereof.
The broken lines and the unshaded areas adjacent to them illustrate portions of the pistol magazine that form no part of the claimed design.

(Continued)

1 Claim, 7 Drawing Sheets



(56)

References Cited

U.S. PATENT DOCUMENTS

11,125,517 B2 * 9/2021 Shreve F41A 9/65
2008/0190003 A1 * 8/2008 Bolen F41A 9/61
42/50
2013/0185974 A1 * 7/2013 Colmano F41A 9/70
42/49.01
2014/0373416 A1 * 12/2014 Barnhart F41A 9/67
42/50
2017/0146310 A1 5/2017 Biran
2017/0363398 A1 12/2017 McCloy
2018/0058785 A1 3/2018 Hefer et al.
2018/0066907 A1 3/2018 Hefer et al.
2018/0347929 A1 12/2018 Hsu et al.
2019/0195584 A1 * 6/2019 Thomele F41A 9/70
2020/0284537 A1 * 9/2020 Plate F41A 17/36
2021/0123698 A1 * 4/2021 Zeider F41A 9/71
2021/0215447 A1 * 7/2021 Coggins F41A 9/71

OTHER PUBLICATIONS

Staccato, Online Product Page. Earliest Publication Date: Oct. 18, 2022. Date Accessed: Oct. 18, 2022. Accessed on the Internet URL: <https://staccato2011.com/products/120mm-16round-9mm-magazines/> (Year: 2022).*

* cited by examiner

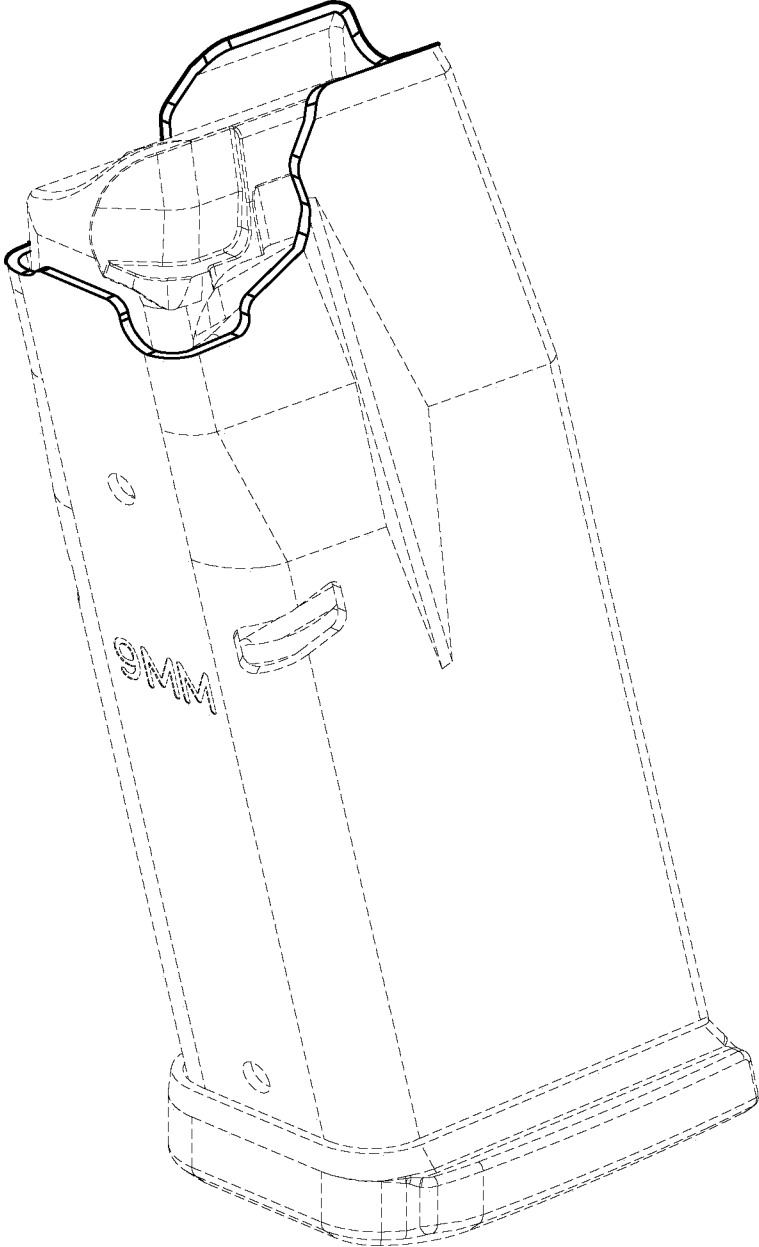


FIG. 1

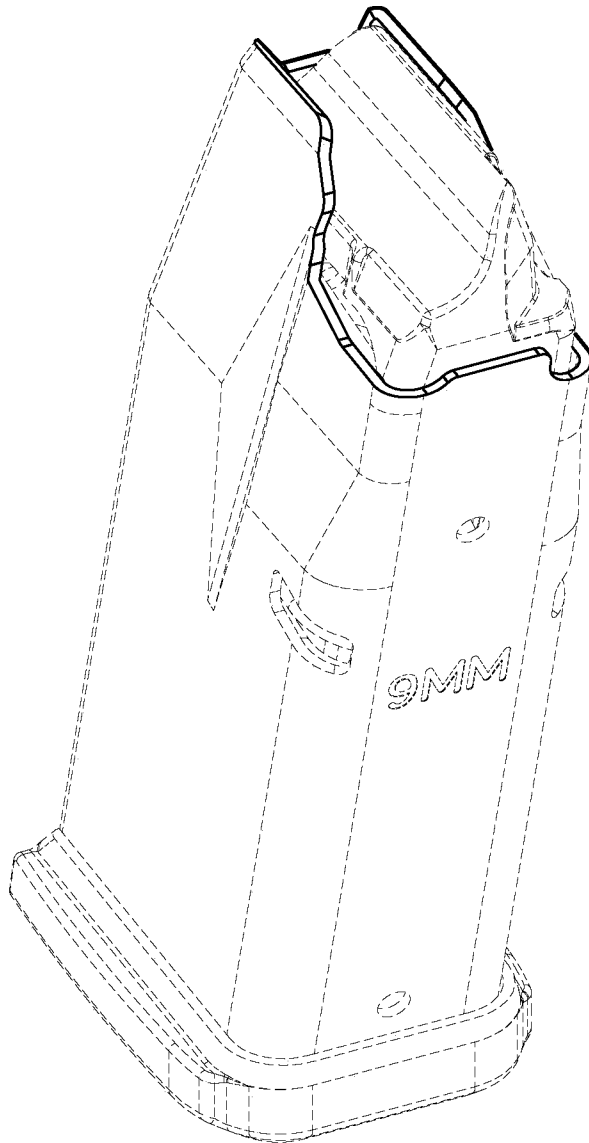


FIG. 2

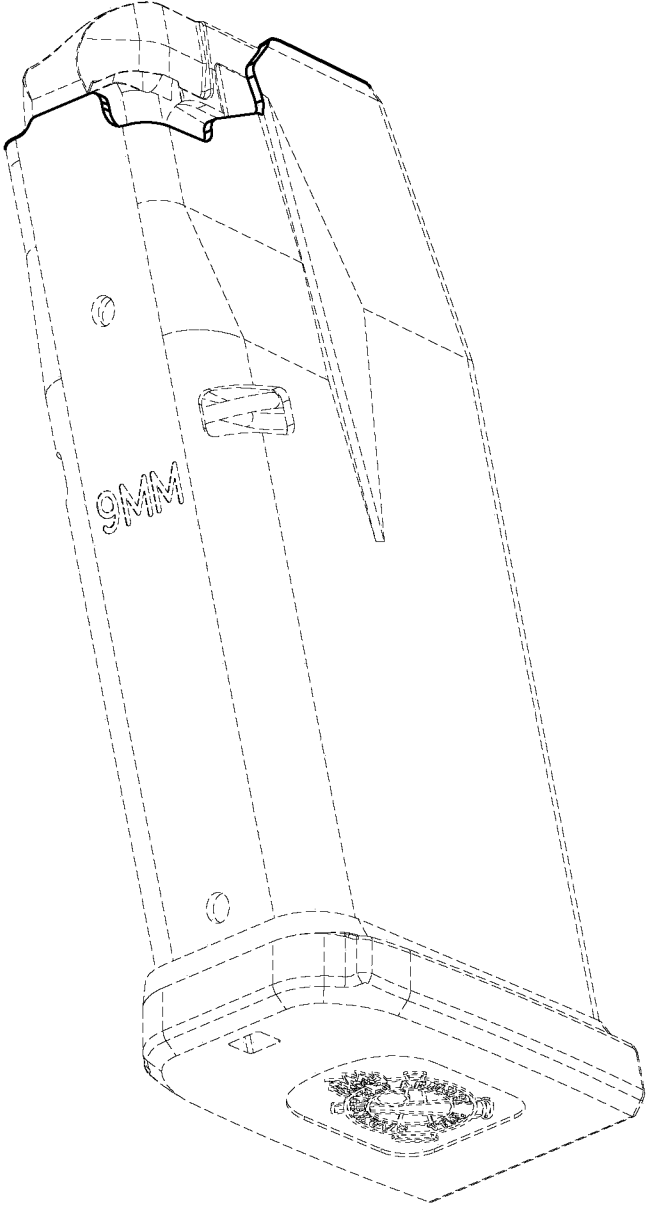


FIG. 3

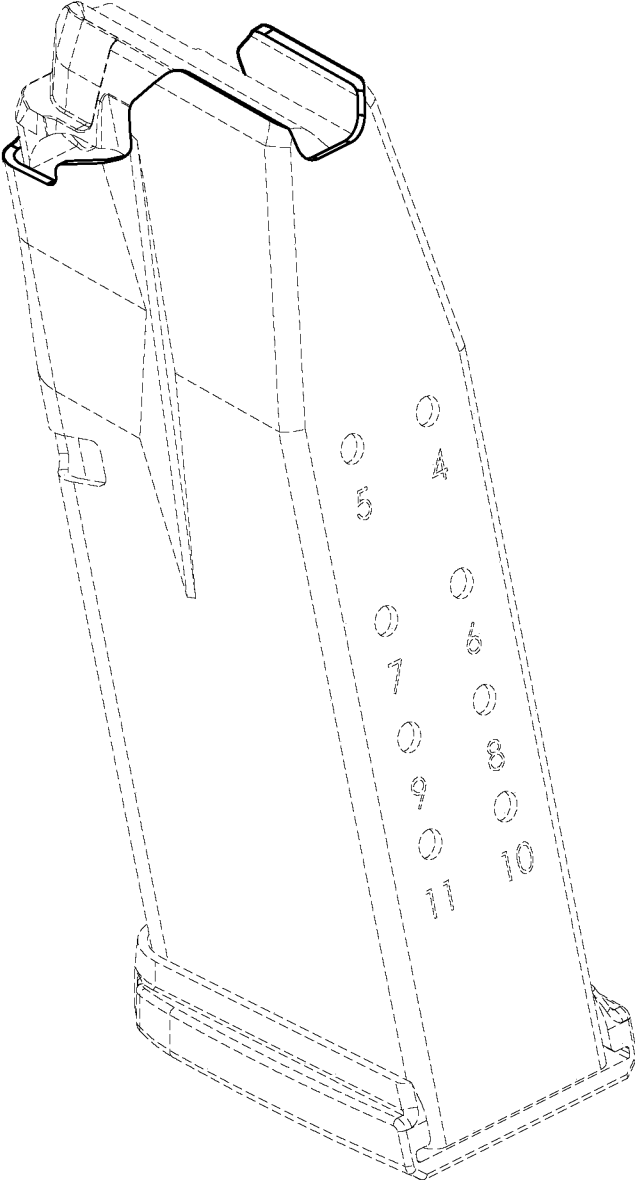


FIG. 4

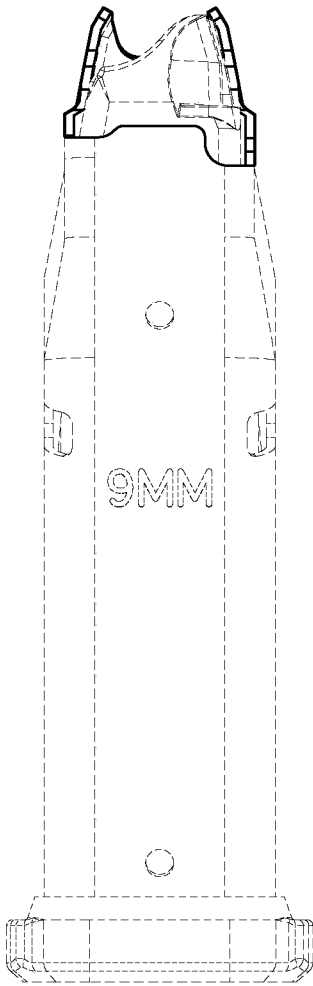


FIG. 5

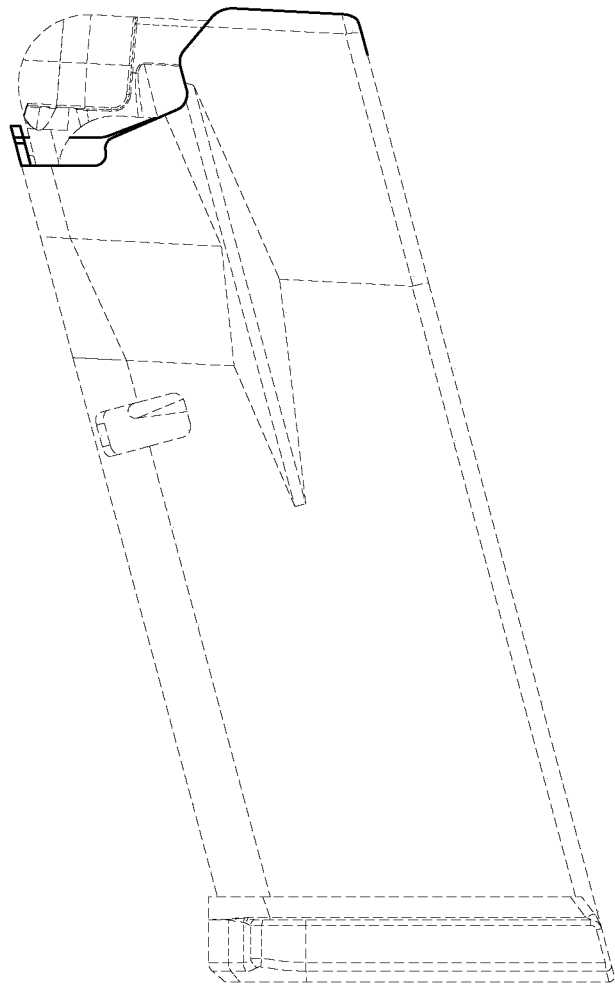


FIG. 6

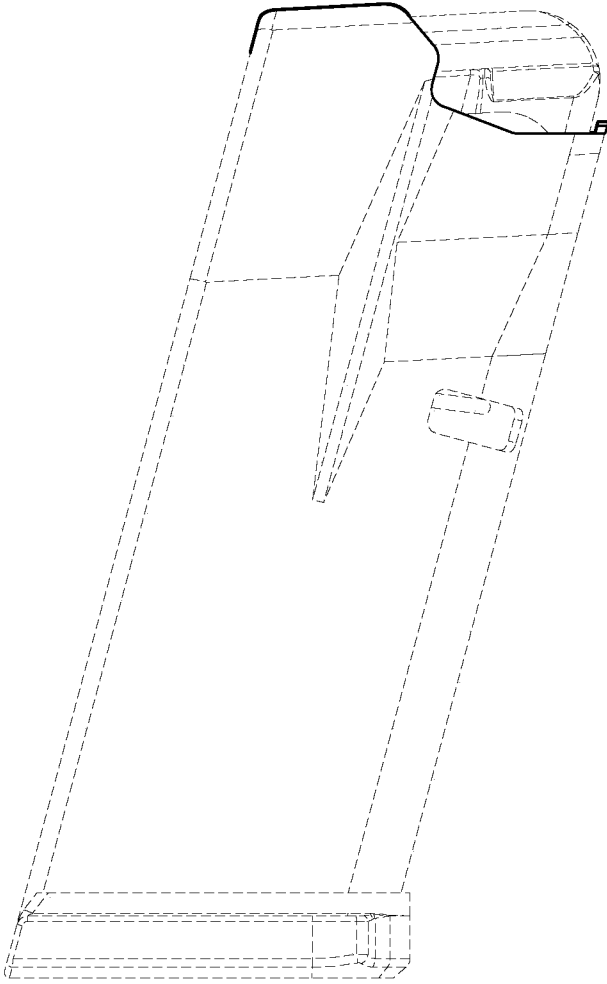


FIG. 7

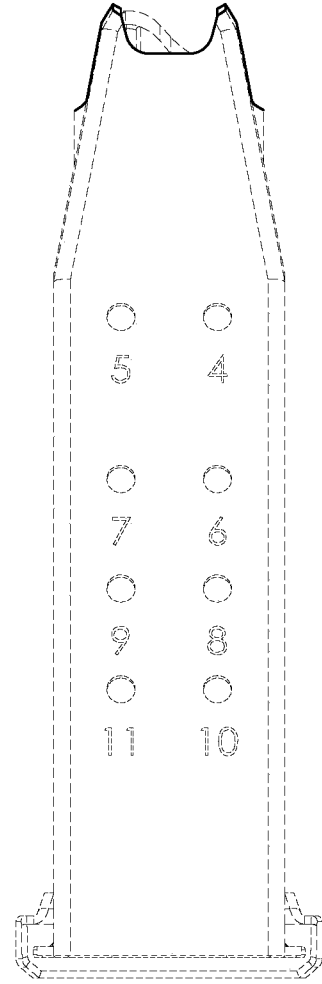


FIG. 8

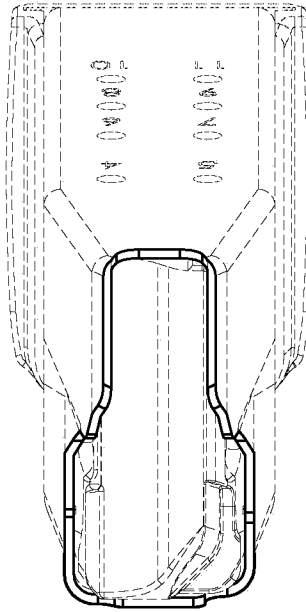


FIG. 9

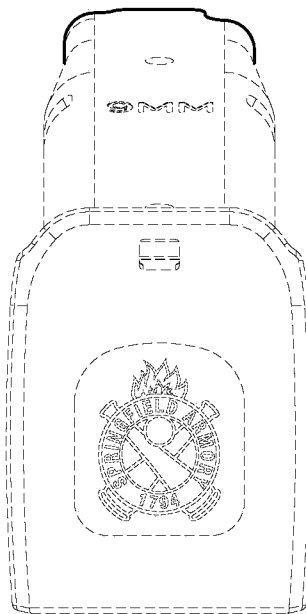


FIG. 10