



US00D963099S

(12) **United States Design Patent** (10) **Patent No.:** **US D963,099 S**
Baumbach et al. (45) **Date of Patent:** **** Sep. 6, 2022**

(54) **RIFLE**
(71) Applicant: **Springfield, Inc.**, Geneseo, IL (US)
(72) Inventors: **Christopher Martin Baumbach**,
LeClaire, IA (US); **Peter J. Leach**,
Davenport, IA (US); **Stephen H.**
McKelvain, Geneseo, IL (US); **Charles**
David Williams, Geneseo, IL (US)

D926,911 S * 8/2021 McLeroy D22/103
D926,912 S * 8/2021 McLeroy D22/108
2003/0093935 A1 5/2003 Huston
(Continued)

FOREIGN PATENT DOCUMENTS

CN 1039980 2/1990
CN 101469734 7/2009
(Continued)

(73) Assignee: **Springfield, Inc.**, Geneseo, IL (US)
(**) Term: **15 Years**

OTHER PUBLICATIONS

Outdoor life website, Springfield Armory's Model 2020
Waypoint . . . , Publication date Sep. 29, 2020, [site visited Apr. 26,
2022], Available on the Internet URL [https://www.outdoorlife.com/
story/gear/the-springfield-armory-model-2020-waypoint-is-an-
accurate-hunting-rifl](https://www.outdoorlife.com/story/gear/the-springfield-armory-model-2020-waypoint-is-an-accurate-hunting-rifl) (Year: 2020).*
(Continued)

(21) Appl. No.: **29/752,603**
(22) Filed: **Sep. 28, 2020**
(51) **LOC (13) Cl.** **22-01**
(52) **U.S. Cl.**
USPC **D22/103**
(58) **Field of Classification Search**
USPC D22/100, 102, 103, 109, 113, 115, 116;
D21/573
CPC F41A 19/15; F41A 19/26
See application file for complete search history.

Primary Examiner — S. Bryan Reinholdt, Jr.
(74) *Attorney, Agent, or Firm* — Woodard, Emhardt,
Henry, Reeves & Wagner, LLP

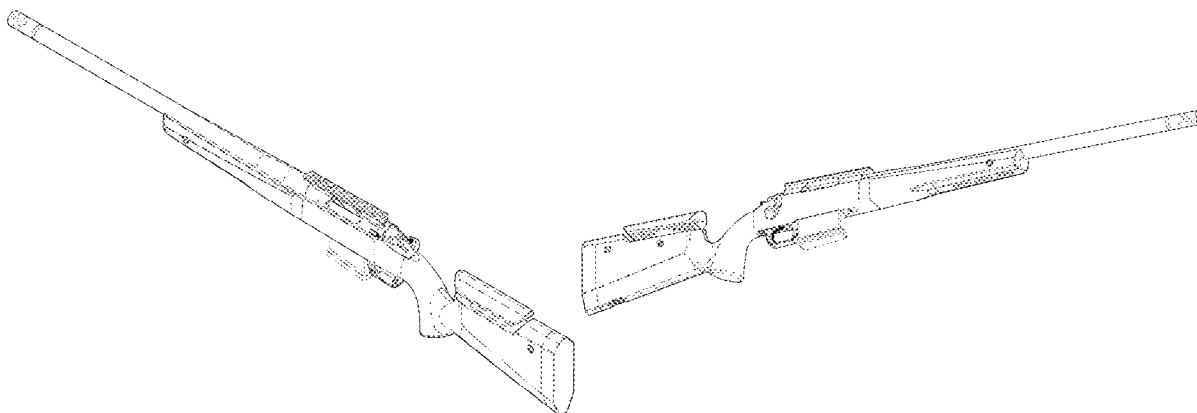
(57) **CLAIM**
The ornamental design for a rifle, as shown and described.

DESCRIPTION

FIG. 1 is a back-right perspective view of the rifle showing
my new design;
FIG. 2 is a back-left perspective view thereof;
FIG. 3 is a lower, right-front perspective view thereof;
FIG. 4 is a top view thereof;
FIG. 5 is a bottom view thereof;
FIG. 6 is a right elevation view thereof;
FIG. 7 is a left elevation view thereof;
FIG. 8 is a back view thereof; and,
FIG. 9 is a front view thereof.
The broken lines illustrate portions of the rifle that form no
part of the claimed design.

(56) **References Cited**
U.S. PATENT DOCUMENTS
5,194,678 A 3/1993 Kramer
6,301,817 B1 10/2001 Hogue et al.
6,647,653 B1 * 11/2003 Hengstenberg F41C 9/08
42/51
6,658,781 B1 12/2003 Bowen
6,796,069 B2 * 9/2004 Hengstenberg F41C 9/08
42/51
8,800,423 B1 * 8/2014 Lammers F41C 7/00
89/191.01
D757,885 S * 5/2016 Barfoot D22/108
10,371,475 B2 * 8/2019 Cook F41A 19/15
D882,015 S * 4/2020 Juarez D22/108
D921,813 S * 6/2021 Kuz D22/103

1 Claim, 6 Drawing Sheets



(56)

References Cited

OTHER PUBLICATIONS

U.S. PATENT DOCUMENTS

2006/0207152 A1 9/2006 Lazor
2007/0163162 A1* 7/2007 Laney F41C 9/08
42/51
2009/0056191 A1 3/2009 Battaglia
2012/0023800 A1* 2/2012 Laney F41A 3/58
42/8
2015/0247700 A1 9/2015 Merlino et al.
2015/0285585 A1 10/2015 Hewes et al.
2015/0369558 A1 12/2015 Gottzmann
2016/0298925 A1 10/2016 Gottzmann et al.
2018/0058808 A1 3/2018 Gottzmann et al.
2018/0202760 A1 7/2018 Drake
2019/0285380 A1 9/2019 Washburn, III et al.

FOREIGN PATENT DOCUMENTS

CN 103419556 12/2013
EP 0125735 A3 11/1984
KR 20070114377 9/2007
WO WO 2004020272 3/2004

Accurize Your Ruger, Victor Company Titan Stock, Retrieved from Internet Oct. 27, 2020.
American Rifleman, Back-to-Basics Rifle Stocks, Retrieved from Internet Oct. 27, 2020.
English Translation of CN 103419556.
English Translation of CN 1039980.
English Translation of CN 101469734.
English Translation of KR 20070114377.
Hardware Option for Your McMillan Stock, Retrieved from YouTube on Sep. 18, 2020, <https://www.youtube.com/watch?v=cTR4hO9lnfg>.
McMillan USA, Clalmpbar Adjustable Cheeck Piece. Retrieved Apr. 26, 2021 <https://mcmillanusa.com/product/mcmillan-clampbar-adjustable-cheek-piece/>.
Mens Interest Magazine, Synthetic Rifle Stocks. Retrieved Apr. 26, 2021 <https://www.magzter.com/article/Mens-Interest/Rifle/Synthetic-Rifle-Stocks>.

* cited by examiner

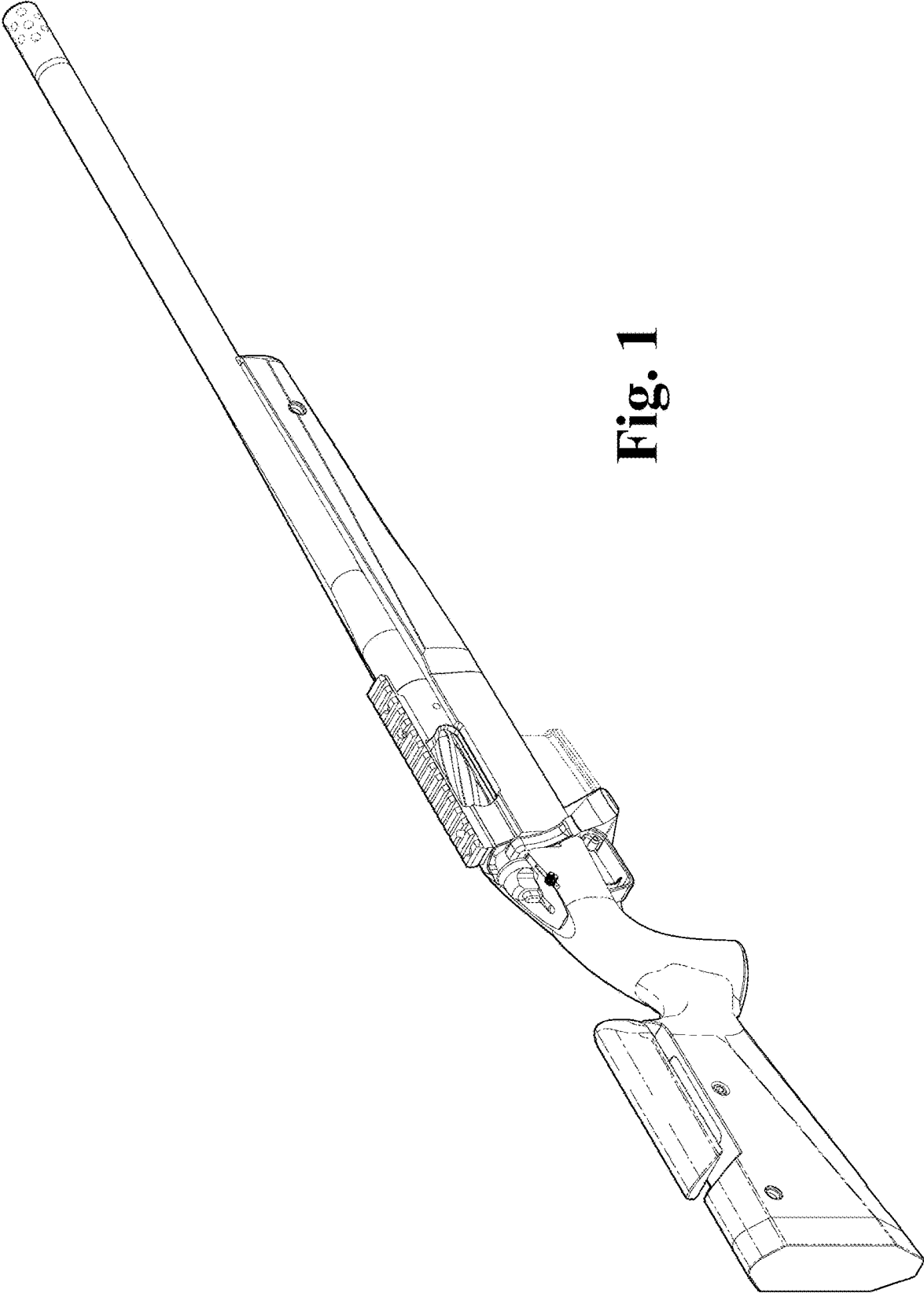


Fig. 1

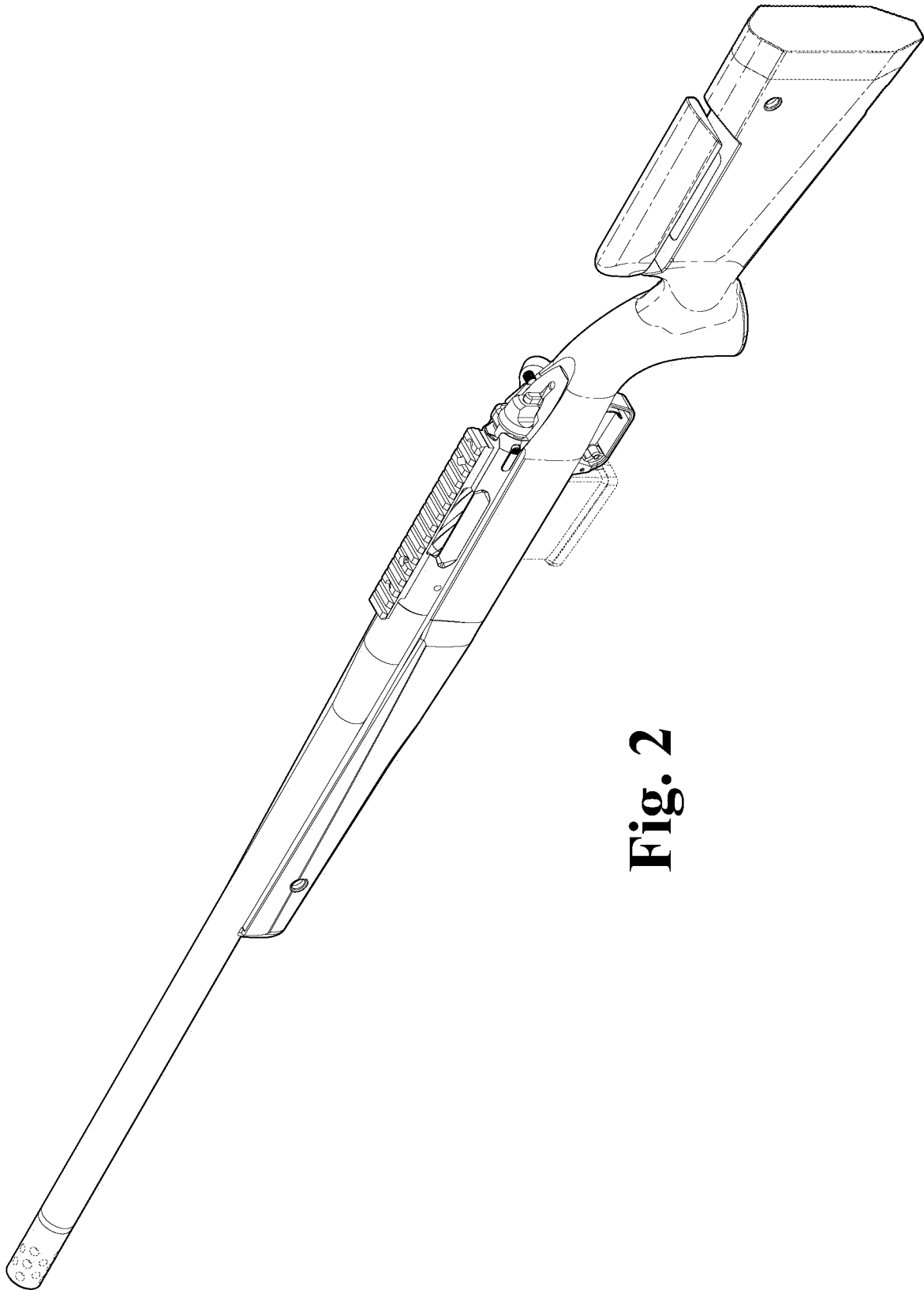


Fig. 2

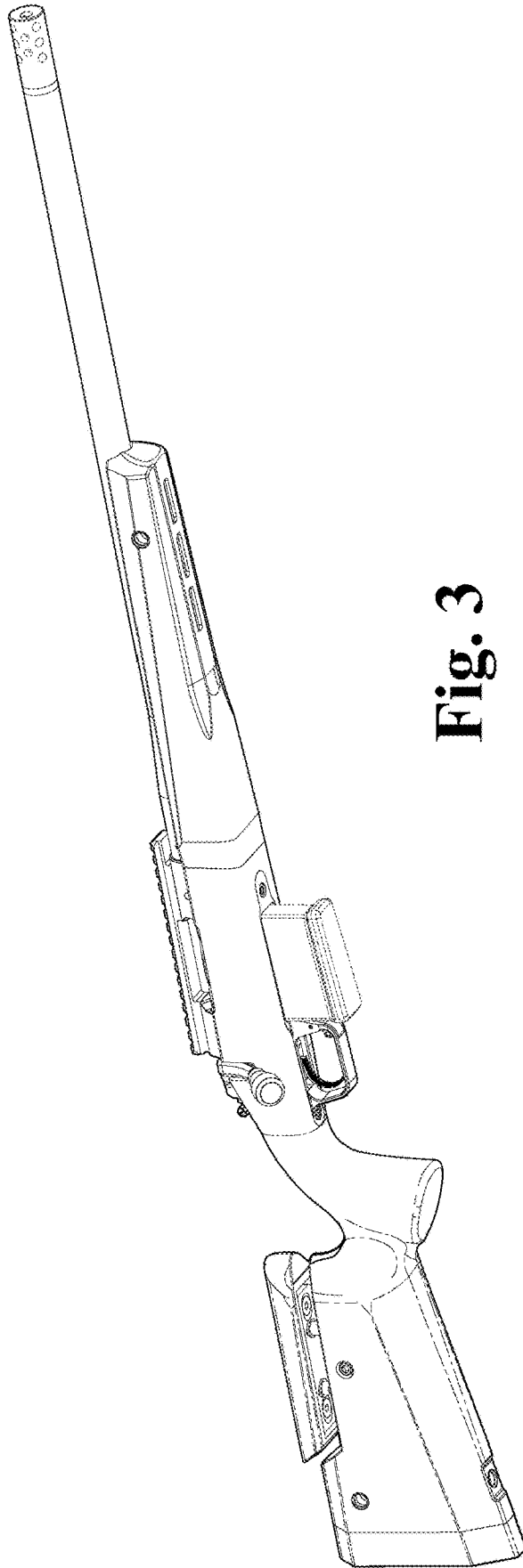


Fig. 3

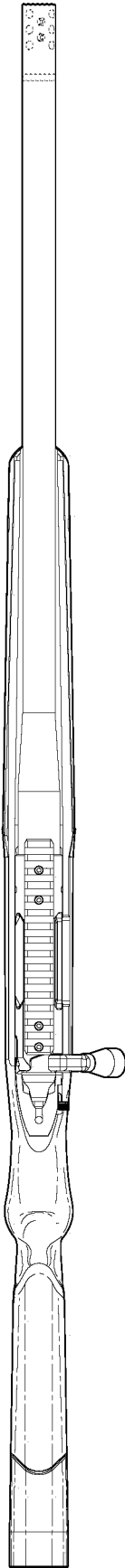


Fig. 4

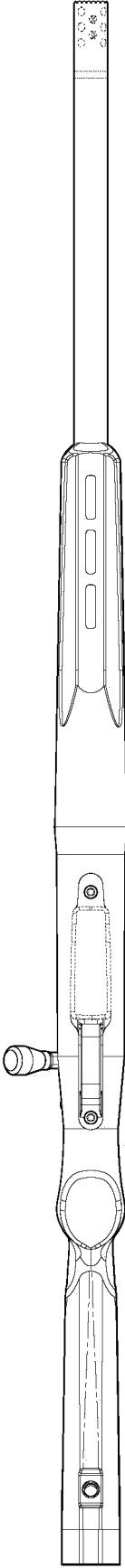


Fig. 5

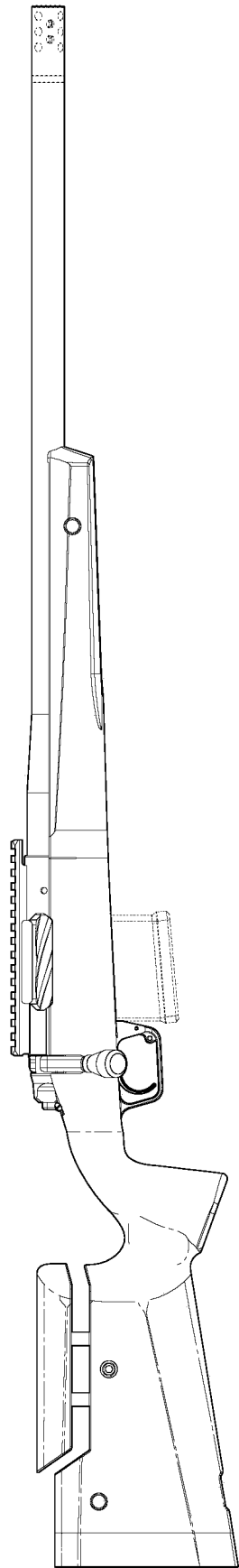


Fig. 6

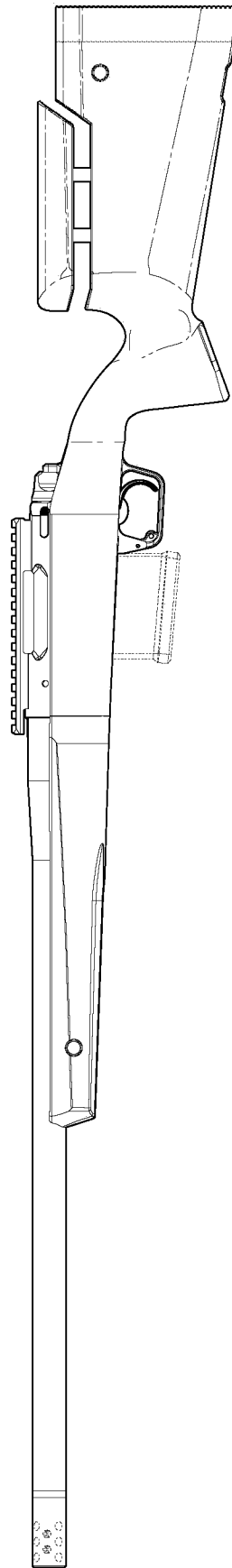


Fig. 7



Fig. 8

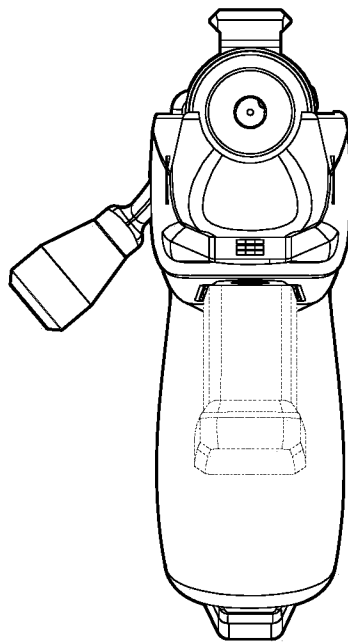


Fig. 9