



US00D945553S

(12) **United States Design Patent** (10) **Patent No.:** **US D945,553 S**
Drake et al. (45) **Date of Patent:** **** Mar. 8, 2022**

(54) **CHASSIS**
(71) Applicant: **Drake Associates, Inc.**, Vero Beach, FL (US)

7,926,217 B2 4/2011 McCann
D662,167 S * 6/2012 Juarez D22/103
8,234,808 B2 8/2012 Lewis et al.
D722,672 S * 2/2015 Juarez D22/108
(Continued)

(72) Inventors: **Christopher Drake**, Vero Beach, FL (US); **Leslie C. Blahut**, Vero Beach, FL (US)

FOREIGN PATENT DOCUMENTS

WO 2016025534 A1 2/2016

(73) Assignee: **DRAKE ASSOCIATES, INC.**, Vero Beach, FL (US)

OTHER PUBLICATIONS

(**) Term: **15 Years**

“Athena Precision Chassis Tactical Rifle—Button Barrel” Drake Associates., posted date Oct. 25, 2019 [online], [retrieved on Oct. 21, 2021]. Retrieved from the Internet <URL: <https://drakeassociates.us/product/athena-precision-chassis-tactical-rifle-light-caliber-system-5-56-5/>> (Year: 2019).*

(21) Appl. No.: **29/745,680**

(22) Filed: **Aug. 7, 2020**

(Continued)

Related U.S. Application Data

(63) Continuation-in-part of application No. 16/272,836, filed on Feb. 11, 2019, now Pat. No. 10,739,107.

Primary Examiner — Darlington Ly

Assistant Examiner — Nasim Abdulaziz Ali

(51) **LOC (13) Cl.** **22-01**

(74) *Attorney, Agent, or Firm* — Carter, DeLuca & Farrell LLP

(52) **U.S. Cl.**

USPC **D22/108**

(57) **CLAIM**

(58) **Field of Classification Search**

USPC D22/100, 103, 108, 109, 113, 115
CPC F41C 7/00; F41C 23/16; F41G 1/02; F41G 1/027; F41G 1/14; F41J 1/10; F42B 6/10; F42B 7/00; F42B 7/02; F41A 17/38

The ornamental design for a chassis, as shown and described.

See application file for complete search history.

DESCRIPTION

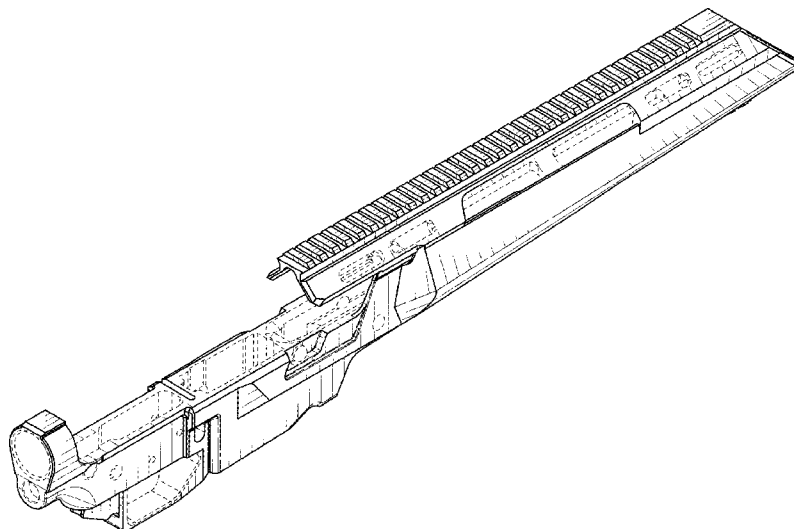
FIG. 1 is a top, front and left side perspective view of a chassis embodying our new design;
FIG. 2 is a front elevational view thereof;
FIG. 3 is a rear elevational view thereof;
FIG. 4 is a right side elevational thereof;
FIG. 5 is a left side elevational view thereof;
FIG. 6 is a top plan view thereof; and,
FIG. 7 is a bottom plan view thereof.
The broken lines shown are included for the purpose of illustrating a portion of the chassis that form no part of the claimed design.

(56) **References Cited**

U.S. PATENT DOCUMENTS

2,339,331 A 1/1944 Grigg
2,717,465 A 9/1955 Clark, Jr. et al.
3,011,283 A 12/1961 Lunn
3,340,641 A 9/1967 Recker
5,711,102 A 1/1998 Plaster et al.
5,873,189 A 2/1999 Menke
6,637,142 B1 10/2003 Reynolds
6,839,998 B1 1/2005 Armstrong
7,428,795 B2 9/2008 Herring

1 Claim, 4 Drawing Sheets



(56)

References Cited

U.S. PATENT DOCUMENTS

9,285,178 B2 3/2016 Sellars
 D762,277 S * 7/2016 Juarez D22/108
 D763,396 S * 8/2016 Juarez D22/108
 9,534,859 B2 1/2017 Battaglia et al.
 9,726,444 B1 8/2017 Sisk
 9,766,025 B1 9/2017 Rood
 9,851,175 B2 12/2017 Leasure
 D833,563 S * 11/2018 Snively D22/108
 10,132,583 B2 * 11/2018 Drake F41C 7/00
 10,203,178 B2 2/2019 Drake
 10,215,519 B2 2/2019 Drake
 D873,366 S * 1/2020 Smith D22/103
 D882,015 S * 4/2020 Juarez D22/108
 10,739,107 B2 8/2020 Drake
 2006/0272193 A1 12/2006 Zedrosser et al.
 2007/0180750 A1 8/2007 Al-Mulla
 2008/0244951 A1 10/2008 Picard
 2009/0211140 A1 8/2009 Rolfe
 2010/0162608 A1 7/2010 McCann
 2011/0283582 A1 11/2011 Hunter et al.

2015/0192384 A1 7/2015 Ballard
 2016/0313087 A1 10/2016 Leasure
 2017/0219310 A1 * 8/2017 Jones F41A 3/66
 2019/0178608 A1 * 6/2019 Drake F41C 27/00
 2020/0284535 A1 * 9/2020 Drake F41C 23/16

OTHER PUBLICATIONS

“Athena Precision Chassis Tactical Rifle—Light Caliber System”
 Drake Associates., posted date Oct. 17, 2019 [online], [retrieved on
 Oct. 21, 2021]. Retrieved from the Internet <URL: [https://
 drakeassociates.us/product/athena-precision-chassis-tactical-rifle-
 tier-1-premier-light-caliber-system-5-56/](https://drakeassociates.us/product/athena-precision-chassis-tactical-rifle-tier-1-premier-light-caliber-system-5-56/)> (Year: 2019).*
 “MPA BA Ultra Lite Chassis” MPA., posted date Nov. 7, 2018
 [online], [retrieved on Oct. 21, 2021]. Retrieved from the Internet
 <URL: [https://
 masterpiecearms.com/shop/mpa-ba-ultra-lite-
 chassis/](https://masterpiecearms.com/shop/mpa-ba-ultra-lite-chassis/)> (Year: 2018).*
<https://geissele.com/super-modular-rail-mk8-m-lokr.html>; retrieved
 Feb. 12, 2020.

* cited by examiner

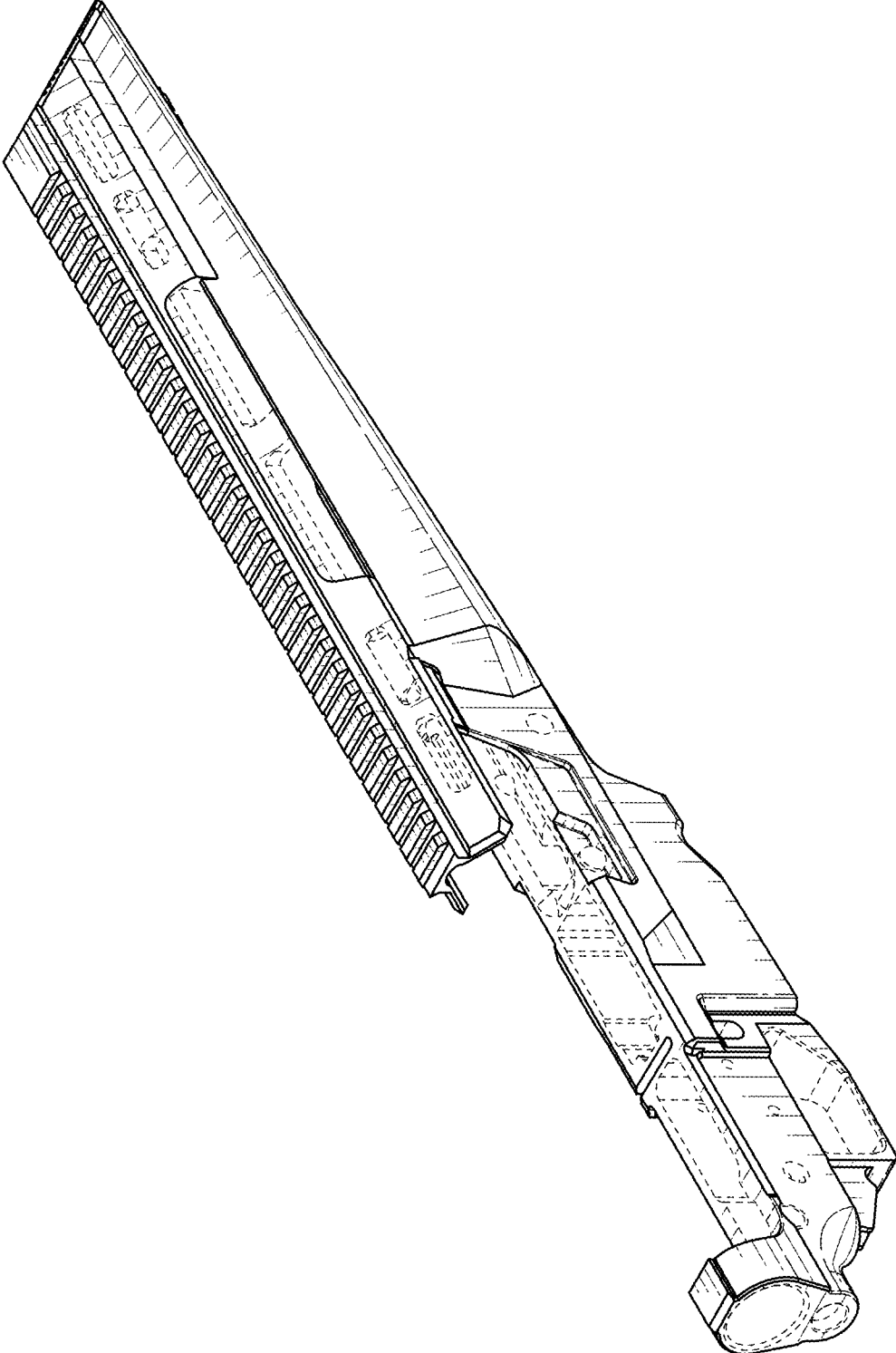


FIG. 1

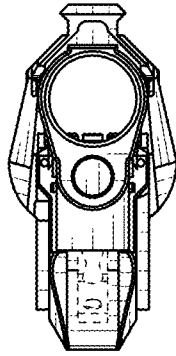


FIG. 2

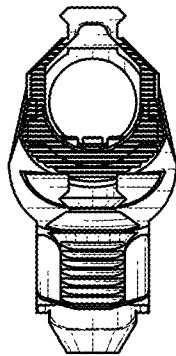


FIG. 3

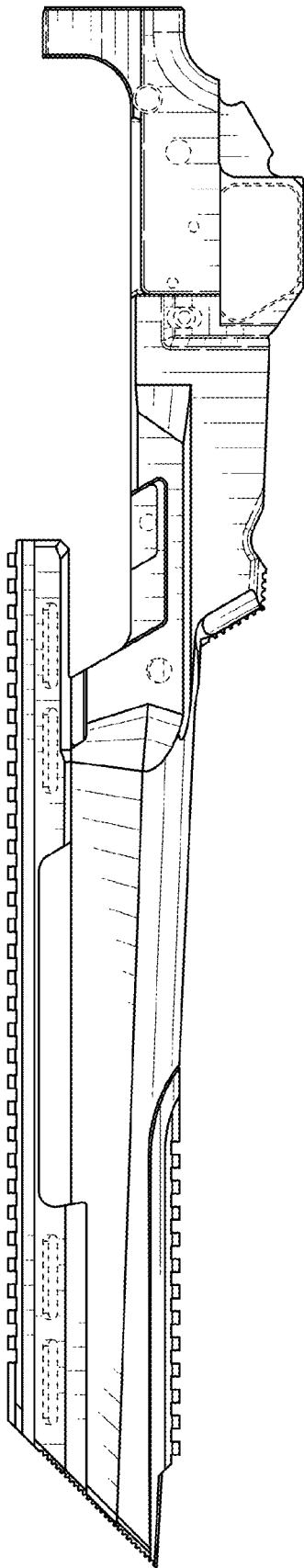


FIG. 4

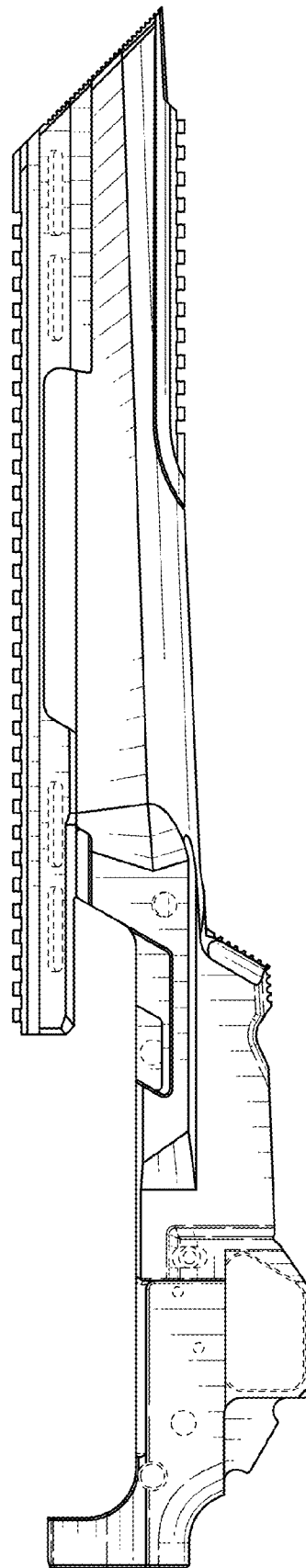


FIG. 5

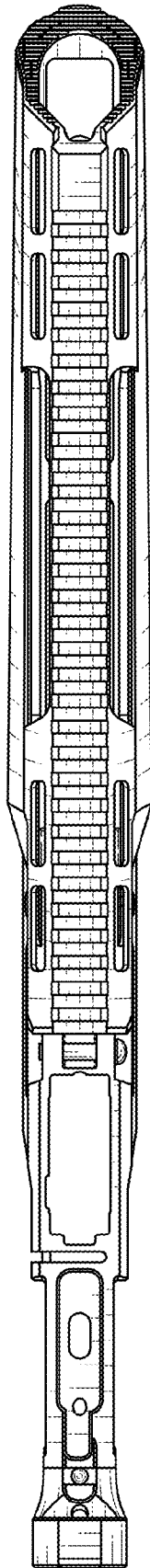


FIG. 6

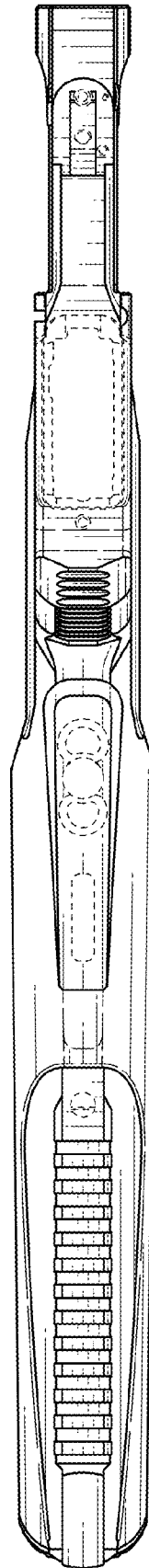


FIG. 7