



US00D944351S

(12) **United States Design Patent**  
**Williams et al.**

(10) **Patent No.:** **US D944,351 S**

(45) **Date of Patent:** **\*\* Feb. 22, 2022**

(54) **FIREARM RECEIVER**

(71) Applicant: **Springfield, Inc.**, Geneseo, IL (US)

(72) Inventors: **Charles David Williams**, Geneseo, IL (US); **Christopher Martin Baumbach**, LeClaire, IA (US)

(73) Assignee: **Springfield, Inc.**, Geneseo, IL (US)

(\*\*) Term: **15 Years**

(21) Appl. No.: **29/719,666**

(22) Filed: **Jan. 7, 2020**

**Related U.S. Application Data**

(62) Division of application No. 29/626,166, filed on Nov. 15, 2017, now Pat. No. Des. 875,870.

(51) **LOC (13) Cl.** ..... **22-01**

(52) **U.S. Cl.**

USPC ..... **D22/108**

(58) **Field of Classification Search**

USPC ..... D22/108, 100, 101, 103, 105, 109, 110;  
D21/572-575; D14/418, 124, 125, 126,  
D14/127, 128, 10, 83, 85, 86, 87, 90,  
D14/113, 117, 141, 75.01, 75.02, 75.03,  
D14/75.05, 50, 51, 71.01, 94, 106;  
362/110

CPC ..... F41C 7/00; F41C 7/11; F41C 7/12; F41C  
23/10; F41C 23/14; F41C 23/16; F41C  
23/18; F41C 23/00; F41C 27/00; F41C  
27/06; F41A 5/18; F41A 5/24; F41A  
21/28

See application file for complete search history.

(56) **References Cited**

**U.S. PATENT DOCUMENTS**

D600,771 S 9/2009 Fitzpatrick et al.  
D603,011 S 10/2009 Fitzpatrick et al.  
D603,012 S 10/2009 Fitzpatrick et al.

D627,415 S 11/2010 Finn  
D636,832 S 4/2011 Mayberry et al.  
8,015,742 B2 9/2011 Zedrosser  
D689,974 S 9/2013 Sharps  
D702,793 S 4/2014 Burt et al.  
D713,485 S 9/2014 Firpo, I et al.  
D726,862 S 4/2015 Crume, Sr.  
D726,863 S 4/2015 Crume, Sr.  
D727,454 S \* 4/2015 Robinson ..... D22/108  
9,217,618 B1 12/2015 Miller, III

(Continued)

**OTHER PUBLICATIONS**

Battle Arms Development Billet Lower Receiver <http://www.battlearmsdevelopment.com/bad556-lw-lightweight-7075-t6-billet-lower-receiver>.

(Continued)

*Primary Examiner* — Jonathan J Han

(74) *Attorney, Agent, or Firm* — Woodard, Emhardt, Henry, Reeves & Wagner, LLP

(57) **CLAIM**

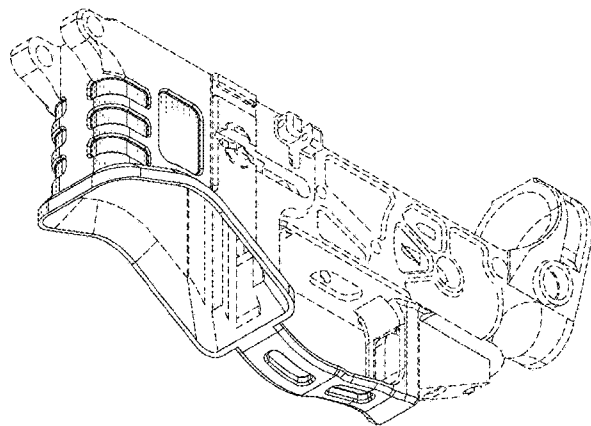
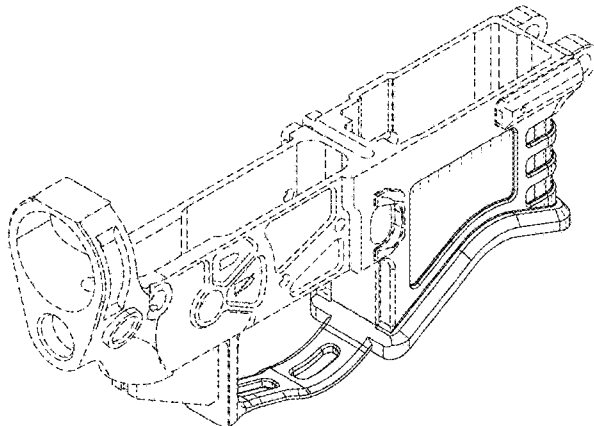
The ornamental design for a firearm receiver, as shown and described.

**DESCRIPTION**

FIG. 1 is a perspective view of the firearm receiver showing our new design; FIG. 2 is another perspective view thereof; FIG. 3 is a right side view thereof; FIG. 4 is a left side view thereof; FIG. 5 is a front end view thereof; FIG. 6 is a rear end view thereof; FIG. 7 is a top view thereof; and, FIG. 8 is a bottom view thereof.

The broken lines illustrate portions of the firearm receiver that form no part of the claimed design. The dot-dot-dash line illustrates a boundary of the claimed portions of the article and form no part of the claimed design.

**1 Claim, 3 Drawing Sheets**



(56)

References Cited

U.S. PATENT DOCUMENTS

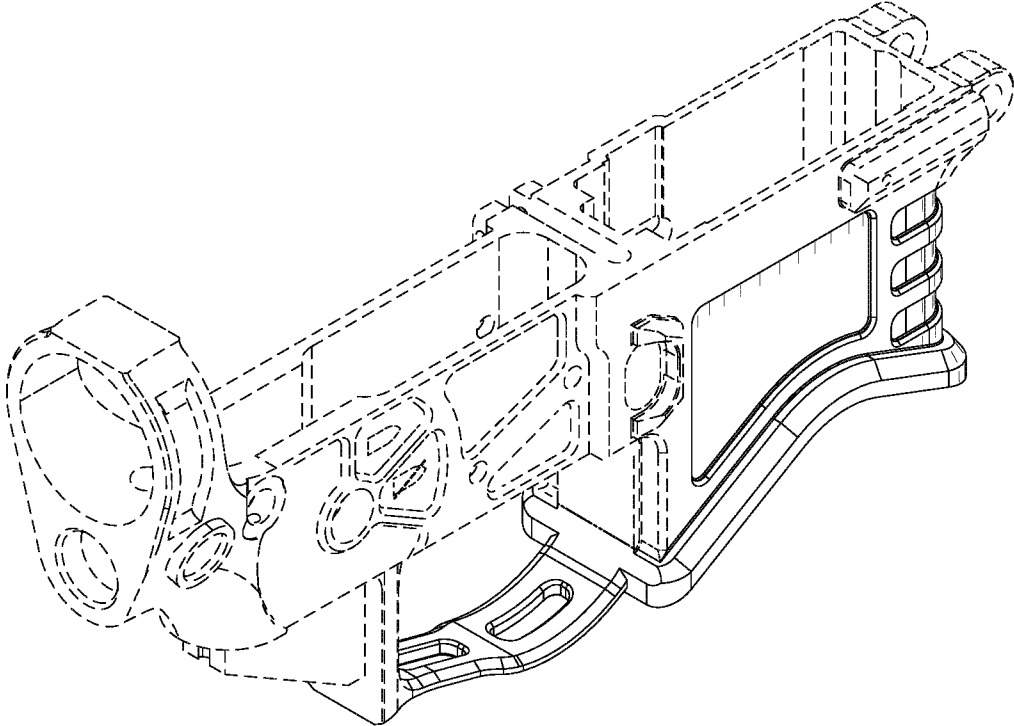
D746,936 S 1/2016 Huang  
 D755,338 S \* 5/2016 Slank ..... D22/108  
 D760,860 S 7/2016 Vincent et al.  
 D764,005 S \* 8/2016 Neil ..... D22/108  
 D764,620 S 8/2016 Packard et al.  
 D765,211 S 8/2016 Huang  
 D773,585 S 12/2016 Miller, III  
 D776,222 S 1/2017 Underwood  
 D782,596 S 3/2017 Angstadt et al.  
 D785,122 S 4/2017 Mather et al.  
 D789,476 S 6/2017 Dustin et al.  
 D795,379 S 8/2017 Frederickson et al.  
 D795,983 S \* 8/2017 Cross ..... D22/108  
 D796,619 S 9/2017 Morris  
 D805,154 S 12/2017 Steele et al.  
 9,897,402 B2 \* 2/2018 Pettit ..... F41A 19/11  
 D815,710 S 4/2018 Packard et al.  
 D820,937 S 6/2018 Hiler, Jr. et al.  
 D826,362 S 8/2018 Sharps  
 D833,563 S 11/2018 Snively  
 D834,112 S \* 11/2018 Chu ..... D21/573  
 D834,132 S \* 11/2018 DeMonico ..... D22/108  
 D835,225 S 12/2018 Podgurny  
 D841,109 S \* 2/2019 Cross ..... D22/108  
 10,222,150 B2 3/2019 Reynolds  
 D846,686 S \* 4/2019 DeMonico ..... D22/108  
 D847,291 S \* 4/2019 Demonico ..... D22/108  
 D849,175 S \* 5/2019 Willits ..... D22/108  
 10,393,468 B2 \* 8/2019 Maugham ..... F41A 35/06  
 D861,115 S \* 9/2019 Podgurny ..... D22/108  
 D875,870 S \* 2/2020 Baumbach ..... D22/108  
 D877,283 S \* 3/2020 Hu ..... D22/108  
 D877,284 S \* 3/2020 Hu ..... D22/108  
 D877,844 S \* 3/2020 Hu ..... D22/108  
 D877,845 S \* 3/2020 Hu ..... D22/108  
 D877,846 S \* 3/2020 Hu ..... D22/108

D879,232 S \* 3/2020 Willits ..... D22/108  
 D886,936 S \* 6/2020 Oglesby ..... D22/108  
 2017/0160032 A1 6/2017 Overstreet et al.  
 2018/0347925 A1 \* 12/2018 Gibbens ..... F41A 15/16

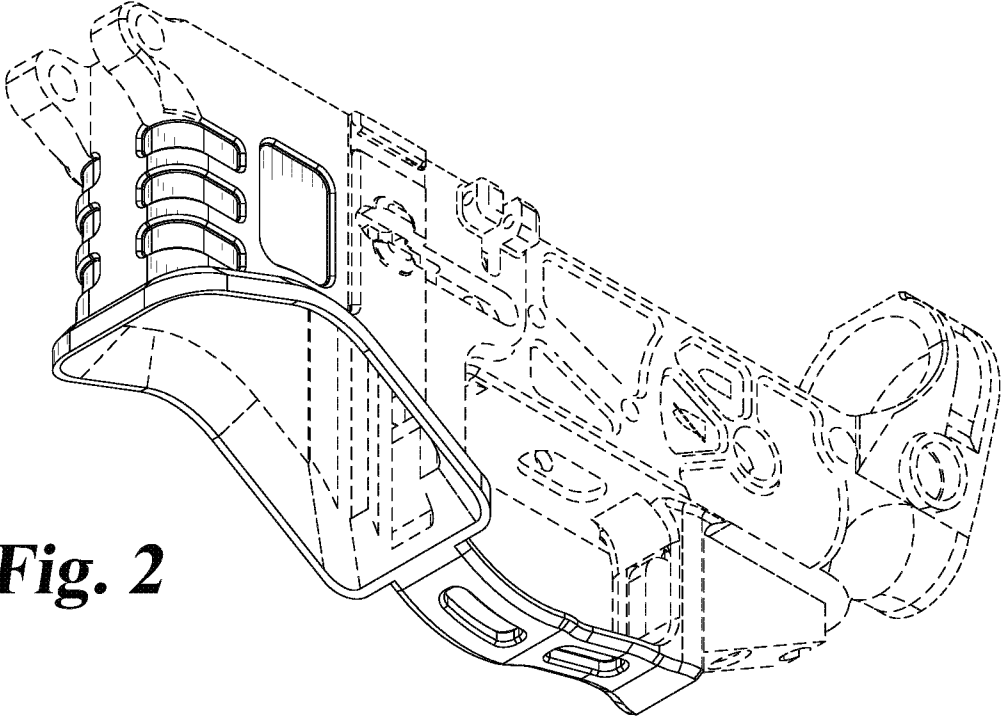
OTHER PUBLICATIONS

Battle Arms Development Billet AR-15 Upper and Lower Receiver Set, PrimaryArms.com, [online], Retrieved from the Internet: < URL: <https://www.primaryarms.com/>>.  
 Battle Arms Development. Upper-Lower Receivers. <http://www.battlearmsdevelopment.com/products/upper-lower-receivers/>.  
 Best AR-15 Lower Receiver For The Money Reviews, TheGunZone.com, by Norman Turner, [online], Retrieved from the iNTERNET: < URL: <https://thegunzone.com/>>.  
 Rankin Industries AR-15 Upper and Lower Receiver Matched Set Milled Slick, WesternSports.com, [online], Retrieved from the Internet: < URL: <https://www.westernsport.com/>>.  
 SaintAR-15 Series, [online] Retrieved from the Internet: <URL: <https://www.springfield-armory.com/>>.  
 Seekins Precision SP223 Gen2 Billet Lower—Logo, PrimaryArms.com, [online], Retrieved from the Internet: < URL: <https://www.primaryarms.com/>>.  
 Sharps Bros Hellbreaker AR-15 Lower Receiver—Gen 2, RainierArms.com, [online], Retrieved from the Internet: < URL: <https://www.rainierarms.com/?source=pepperjam&publisher=84074&click=2644422134&clickId=2644422>>.  
 Springfield Armory Adds New Saint Edge r.56 Rifle, AmmericanRifelman.org, by Joe Kurtencach, Nov. 15, 2017, [online], Retrieved from the Internet: < URL: <https://www.ammericanrifelman.org/>>.  
 Springfield Saint Edge vs Original Saint, [online], YouTube.com, Marksman TV, Published Feb. 16, 2018, Retrieved from the Internet: < URL: <https://video.search.yahoo.com/search/video?fr=yfp-t&p=springfield+saint+edge+vs+original+saint#id=1&>>.

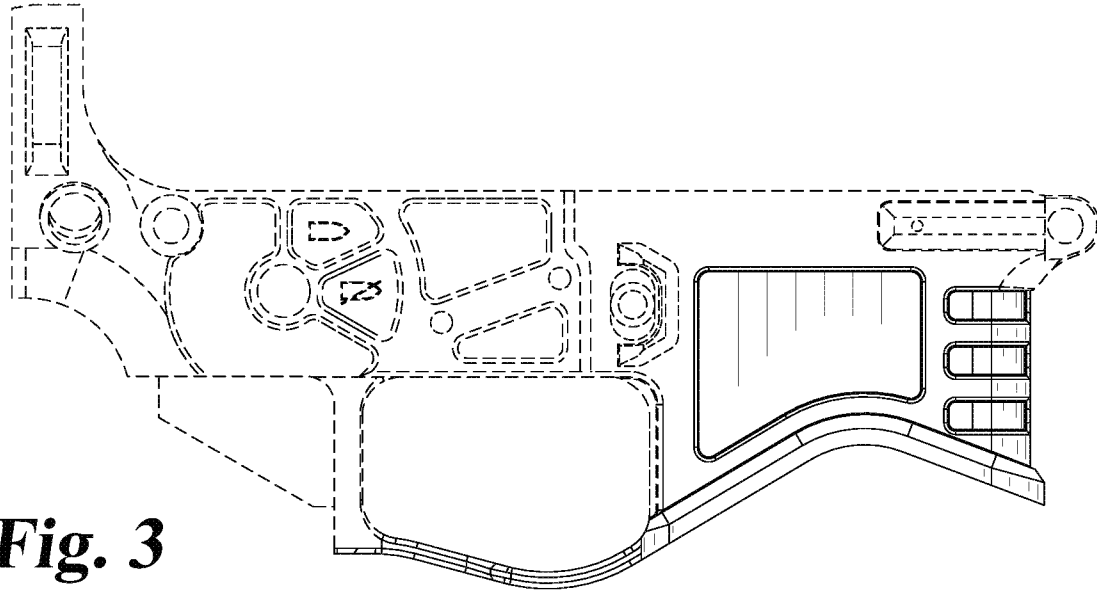
\* cited by examiner



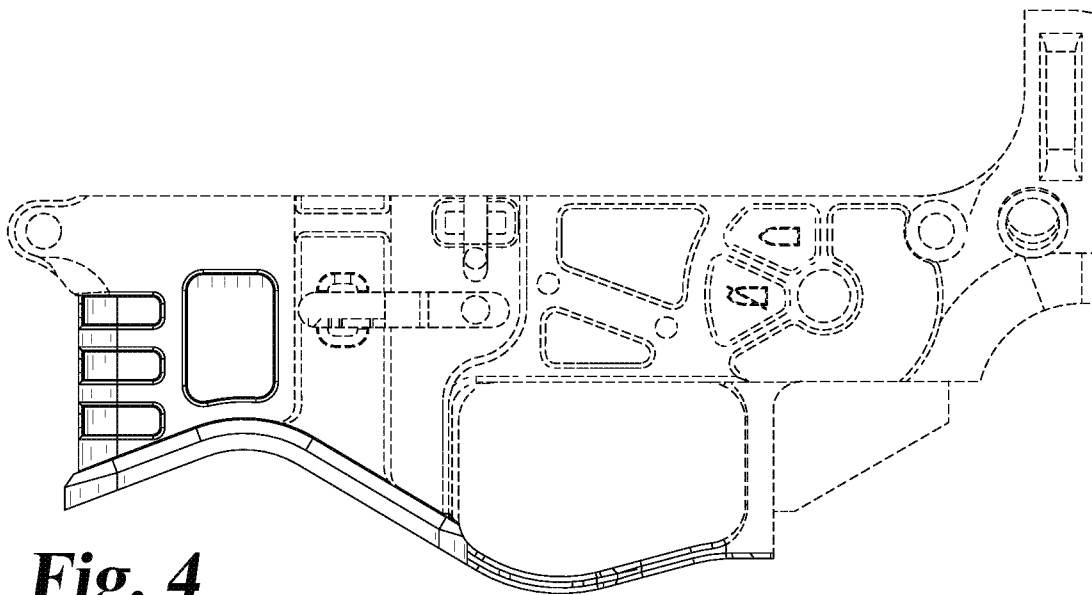
**Fig. 1**



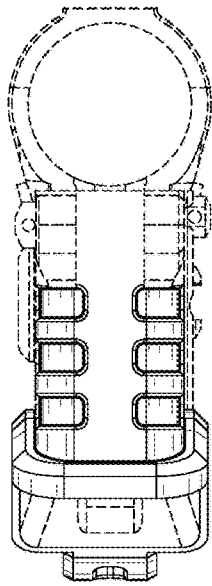
**Fig. 2**



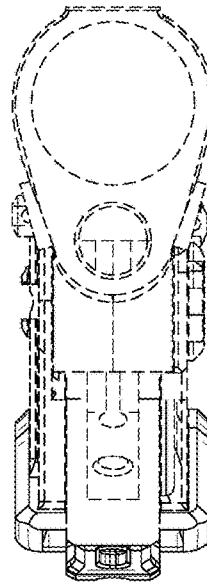
**Fig. 3**



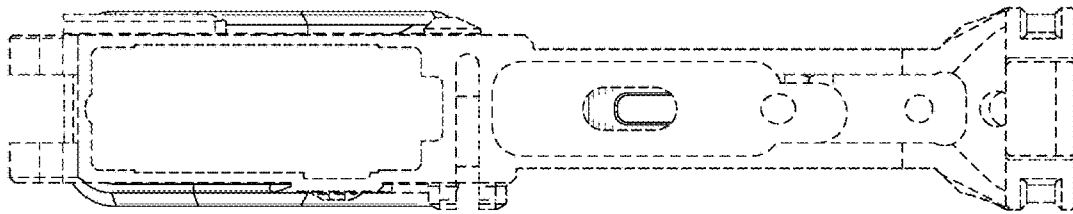
**Fig. 4**



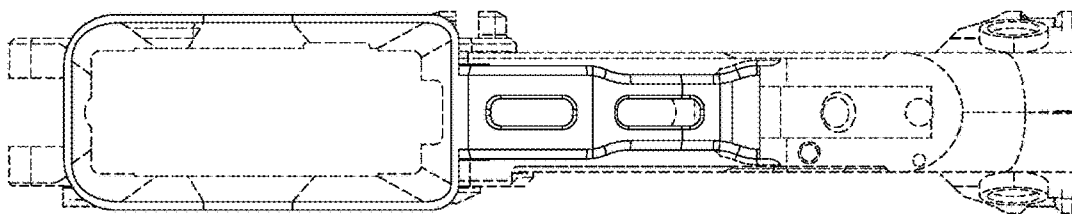
**Fig. 5**



**Fig. 6**



**Fig. 7**



**Fig. 8**