



US00D894310S

(12) **United States Design Patent**
Spine

(10) **Patent No.:** **US D894,310 S**

(45) **Date of Patent:** **** Aug. 25, 2020**

(54) **PISTOL**

(71) Applicant: **HS PRODUKT d.o.o.**, Karlovac (HR)

(72) Inventor: **Marijo Spine**, Karlovac (HR)

(**) Term: **15 Years**

(21) Appl. No.: **35/506,775**

(22) Filed: **Feb. 13, 2019**

(80) **Hague Agreement Data**

Int. Filing Date: **Feb. 13, 2019**

Int. Reg. No.: **DM/201033**

Int. Reg. Date: **Feb. 13, 2019**

Int. Reg. Pub. Date: **May 24, 2019**

(51) **LOC (12) Cl.** **22-01**

(52) **U.S. Cl.**
USPC **D22/104**

(58) **Field of Classification Search**
USPC D22/104, 109, 100, 101, 102, 103, 106,
D22/107, 108, 110, 111, 112; D21/567,
D21/570, 572, 573, 574
CPC .. F41A 17/74; F41A 17/00; F41C 3/14; F41C
3/16; F41C 3/04; F41C 3/00; F41C 3/02;
F41C 3/06
See application file for complete search history.

(56) **References Cited**

U.S. PATENT DOCUMENTS

D516,661 S * 3/2006 McGarry D22/104
D808,487 S * 1/2018 Beville D22/104

D823,969 S * 7/2018 Beville D22/104
D849,174 S * 5/2019 Beville D22/104
D854,642 S * 7/2019 Shinkle D22/104
D857,142 S * 8/2019 Beville D22/104
2005/0188585 A1 * 9/2005 Vicate F41C 23/18
42/71.01
2017/0205189 A1 * 7/2017 Rogers F41C 23/12
2018/0363998 A1 * 12/2018 Collins F41C 23/16

OTHER PUBLICATIONS

[Online] "HS H11 cal 9x19" https://hs-produkt.hr/wp-content/uploads/2020/03/H11_IZO-_150dpi.png. Retrieved Apr. 27, 2020.*

* cited by examiner

Primary Examiner — Melanie Pellegrini

(57) **CLAIM**

The ornamental design for pistol, as shown and described.

DESCRIPTION

- 1. Pistol
- 1.1: left side
- 1.2: right side
- 1.3: front
- 1.4: rear
- 1.5: top
- 1.6: bottom
- 1.7: front right perspective
- 1.8: rear right perspective
- 1.9: left rear perspective
- 1.10: left top front perspective
- 1.11: left bottom perspective

1 Claim, 11 Drawing Sheets



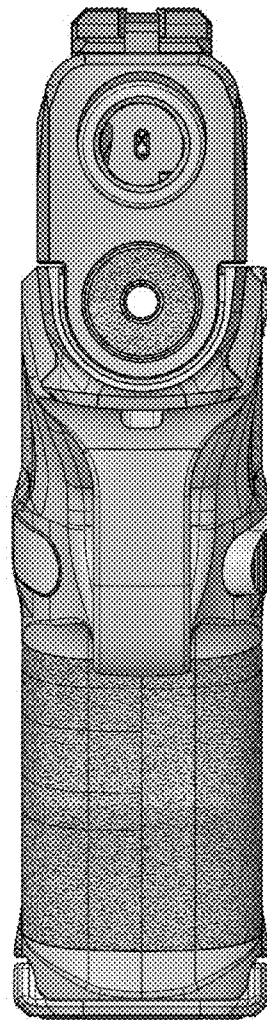
1.1



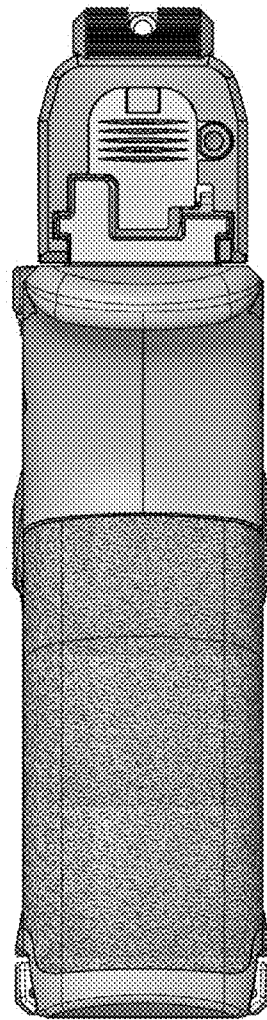
1.2



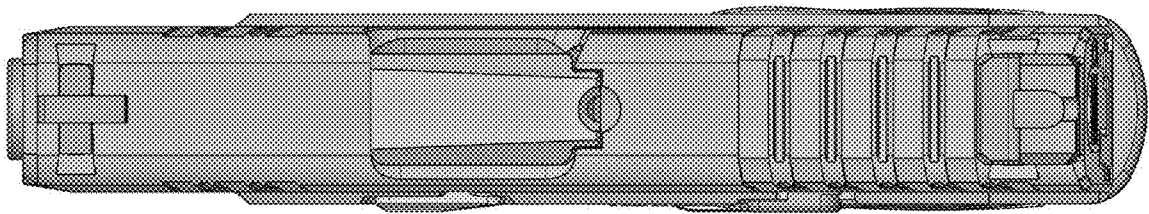
1.3



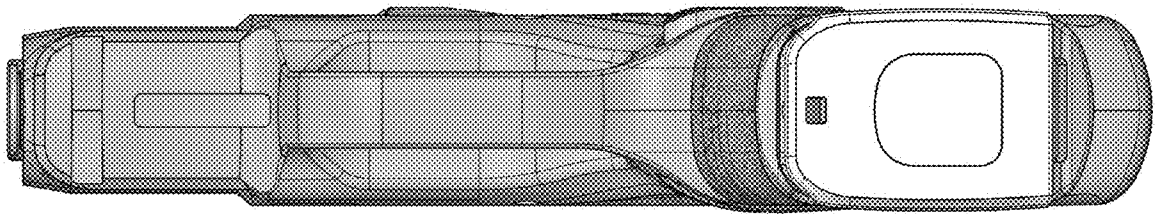
1.4



1.5



1.6



1.7



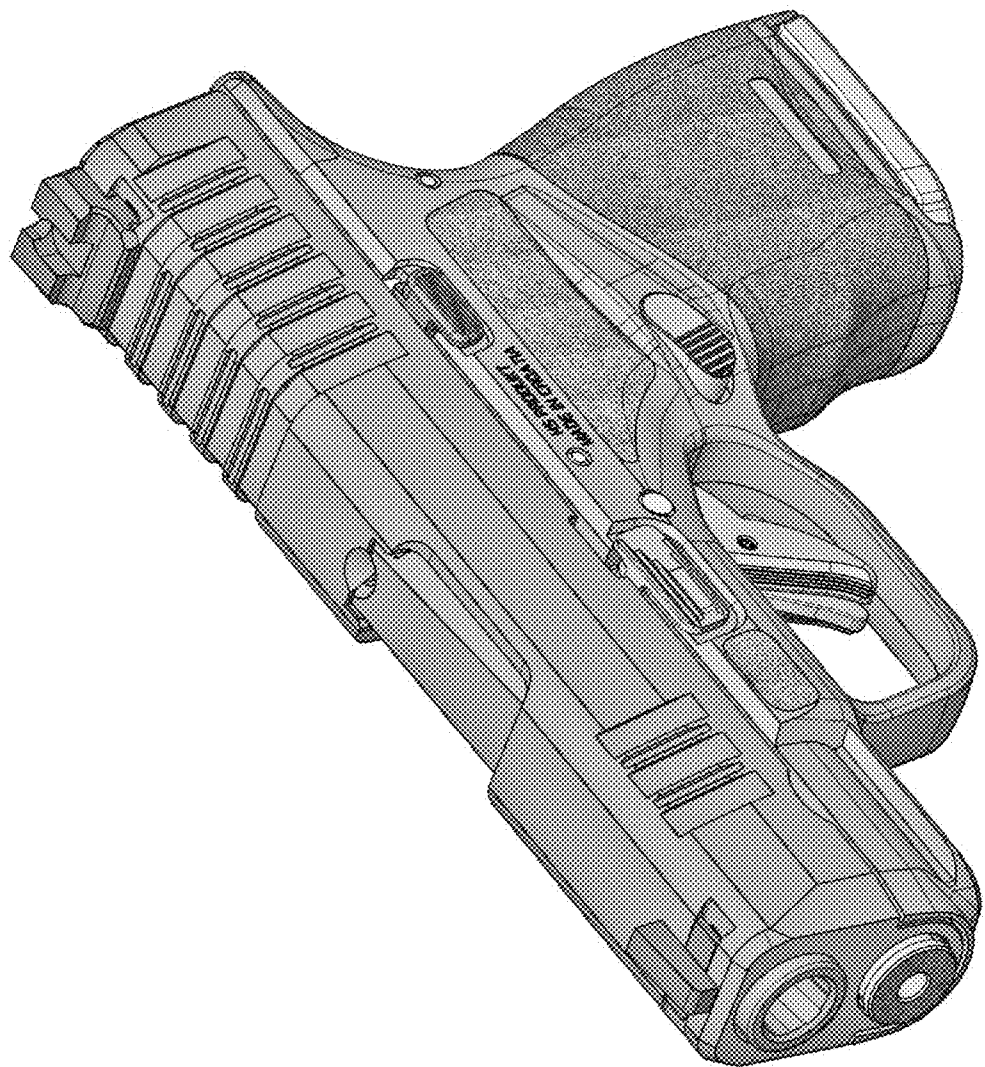
1.8



1.9



1.10



1.11

