



US00D875870S

(12) **United States Design Patent** (10) **Patent No.:** **US D875,870 S**
Baumbach et al. (45) **Date of Patent:** **** Feb. 18, 2020**

(54) **FIREARM RECEIVER**
(71) Applicant: **Springfield, Inc.**, Geneseo, IL (US)
(72) Inventors: **Christopher Martin Baumbach**,
LeClaire, IA (US); **Charles David**
Williams, Geneseo, IL (US)
(73) Assignee: **Springfield, Inc.**, Geneseo, IL (US)
(**) Term: **15 Years**

D702,793 S * 4/2014 Burt D22/103
D713,485 S * 9/2014 Firpo, I D22/108
D726,862 S * 4/2015 Crume, Sr. D22/108
D726,863 S * 4/2015 Crume, Sr. D22/108
9,217,618 B1 * 12/2015 Miller, III F41A 19/11
D746,936 S * 1/2016 Huang D22/108
D760,860 S * 7/2016 Vincent D22/108
D764,620 S * 8/2016 Packard D22/103
D765,211 S * 8/2016 Huang D22/108
D773,585 S * 12/2016 Miller, III D22/108
(Continued)

(21) Appl. No.: **29/626,166**
(22) Filed: **Nov. 15, 2017**
(51) **LOC (12) Cl.** **22-01**
(52) **U.S. Cl.**
USPC **D22/108**
(58) **Field of Classification Search**
USPC D22/108, 100, 101, 103, 105, 109, 110;
D21/572-575; D14/418, 124, 125, 126,
D14/127, 128, 10, 83, 85, 86, 87, 90,
D14/113, 117, 141, 75.01, 75.02, 75.03,
D14/75.05, 50, 51, 71.01, 94, 106;
362/110
CPC F41C 7/00; F41C 7/11; F41C 7/12; F41C
23/10; F41C 23/14; F41C 23/16; F41C
23/18; F41C 23/00; F41C 27/00; F41C
27/06; F41A 5/18; F41A 5/24; F41A
21/28

See application file for complete search history.

(56) **References Cited**

U.S. PATENT DOCUMENTS

D600,771 S * 9/2009 Fitzpatrick D22/108
D603,011 S * 10/2009 Fitzpatrick D22/108
D603,012 S * 10/2009 Fitzpatrick D22/108
D627,415 S * 11/2010 Finn D22/108
D636,832 S * 4/2011 Mayberry D22/108
8,015,742 B2 * 9/2011 Zedrosser F41A 17/36
42/70.04
D689,974 S * 9/2013 Sharps D22/108

OTHER PUBLICATIONS

Saint AR-15 Series, Springfield-Armory.com, [online], [site visited
Mar. 15, 2019]. <URL: <https://www.springfield-armory.com/saint-series/>> (Year: 2019).*

(Continued)

Primary Examiner — T Chase Nelson
Assistant Examiner — Jonathan J. Han
(74) *Attorney, Agent, or Firm* — Woodard, Emhardt,
Henry, Reeves & Wagner, LLP

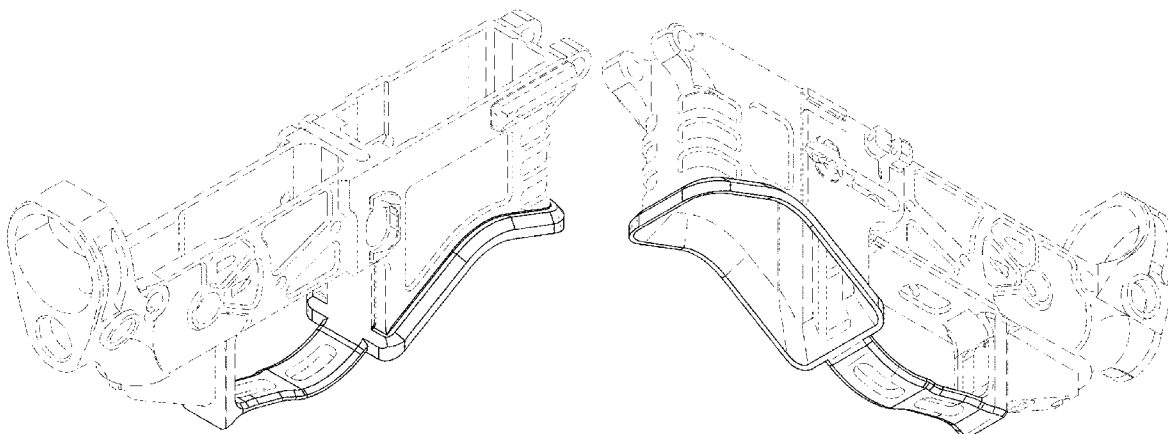
(57) **CLAIM**

The ornamental design for a firearm receiver, as shown and described.

DESCRIPTION

FIG. 1 is a perspective view of the firearm receiver showing our new design;
FIG. 2 is a another perspective view thereof;
FIG. 3 is a right side view thereof;
FIG. 4 is a left side view thereof;
FIG. 5 is a front end view thereof;
FIG. 6 is a rear end view thereof;
FIG. 7 is a top view thereof; and,
FIG. 8 is a bottom view thereof.
The broken lines illustrate portions of the firearm receiver that form no part of the claimed design.

1 Claim, 3 Drawing Sheets



(56)

References Cited

U.S. PATENT DOCUMENTS

D776,222	S	*	1/2017	Underwood	F41A 9/59
						D22/108
D782,596	S	*	3/2017	Angstadt	D22/108
D785,122	S	*	4/2017	Mather	D22/104
D789,476	S	*	6/2017	Dustin	D22/103
D795,379	S	*	8/2017	Frederickson	D22/108
D796,619	S	*	9/2017	Morris	D22/108
D805,154	S	*	12/2017	Steele	D22/108
D815,710	S	*	4/2018	Packard	D22/103
D820,937	S	*	6/2018	Hiler, Jr.	D22/108
D826,362	S	*	8/2018	Sharps	D22/108
D833,563	S	*	11/2018	Snively	D22/108
D835,225	S	*	12/2018	Podgurny	D22/108
10,222,150	B2	*	3/2019	Reynolds	F41A 3/72
2017/0160032	A1	*	6/2017	Overstreet	F41A 17/36

OTHER PUBLICATIONS

Springfield Saint Edge vs Original Saint, YouTube.com, MarksmanTV, Published on Feb. 16, 2018, [online], [site visited Mar. 15, 2019]. <URL: <https://www.youtube.com/watch?v=6eAnyXMAPss>> (Year: 2018).*

Springfield Armory Adds New Saint Edge 5.56 Rifle, AmericanRifleman.org, by Joe Kurtenbach—Wednesday, Nov. 15, 2017, [online], [site visited Mar. 15, 2019]. <URL: <https://www.americanrifleman.org/articles/2017/11/15/springfield-armory-adds-new-saint-edge-556-rifle/>> (Year: 2017).*

Battle Arms Development Billet AR-15 Upper and Lower Receiver Set, PrimaryArms.com, [online], [site visited Mar. 15, 2019]. <URL: <https://www.primaryarms.com/battle-arms-development-billet-upper-lower-receiver-set-black/>> (Year: 2019).*

Seekins Precision SP223 Gen2 Billet Lower—Logo, PrimaryArms.com, [online], [site visited Mar. 15, 2019]. <URL: <https://www.primaryarms.com/seekins-precision-sp223-gen2-billet-lower-stripped-logo/>> (Year: 2019).*

Best AR-15 Lower Receiver for the Money Reviews, TheGunZone.com, by Norman Turner—Last updated Mar. 14, 2019, [online], [site visited Mar. 15, 2019]. <URL: <https://thegunzone.com/best-ar-15-lower-receiver-reviews/>> (Year: 2019).*

Rankin Industries AR-15 Upper and Lower Receiver Matched Set Milled Slick, WesternSport.com, [online], [site visited Mar. 15, 2019]. <URL: <https://www.westernsport.com/product/rankin-industries-ar-15-upper-and-lower-receiver-matched-set-milled-slick/>> (Year: 2019).*

Sharps Bros Hellbreaker AR-15 Lower Receiver—Gen 2, RainierArms.com, [online], [site visited Mar. 15, 2019]. <URL: <https://www.rainierarms.com/sharps-bros-hellbreaker-ar-15-lower-receiver-gen-2/>> (Year: 2019).*

Battle Arms Development Billet Lower Receiver <http://www.battlearmsdevelopment.com/bad556-lw-lightweight-7075-t6-billet-lower-receiver>.

Battle Arms Development. Upper-Lower Receivers. <http://www.battlearmsdevelopment.com/products/upper-lower-receivers/>.

* cited by examiner

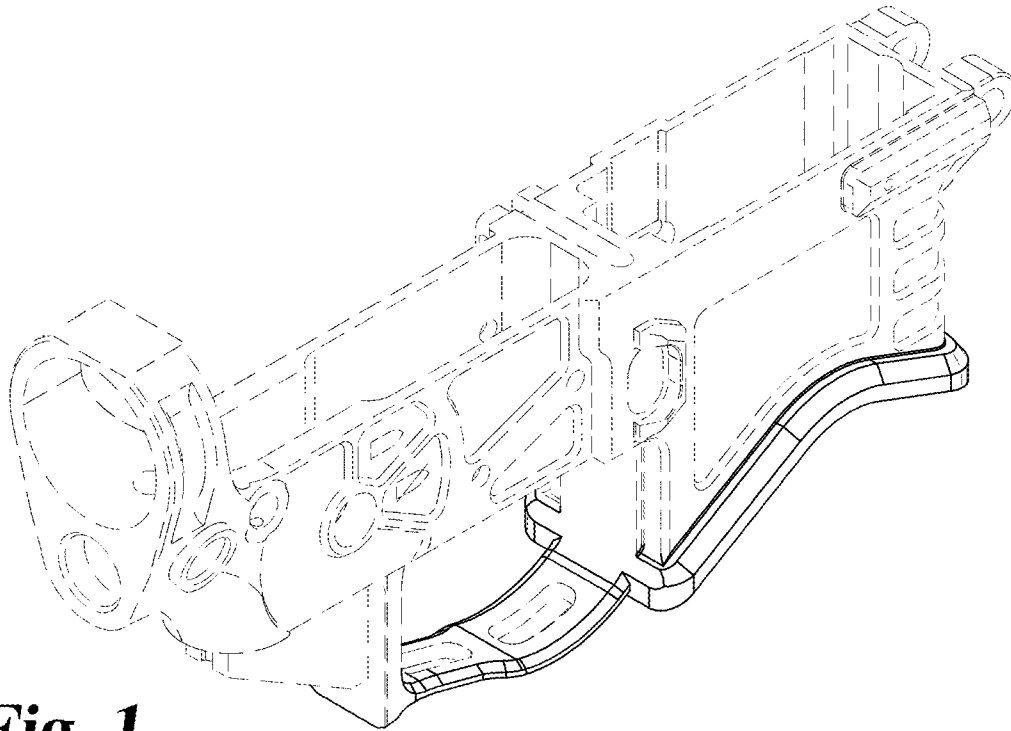


Fig. 1

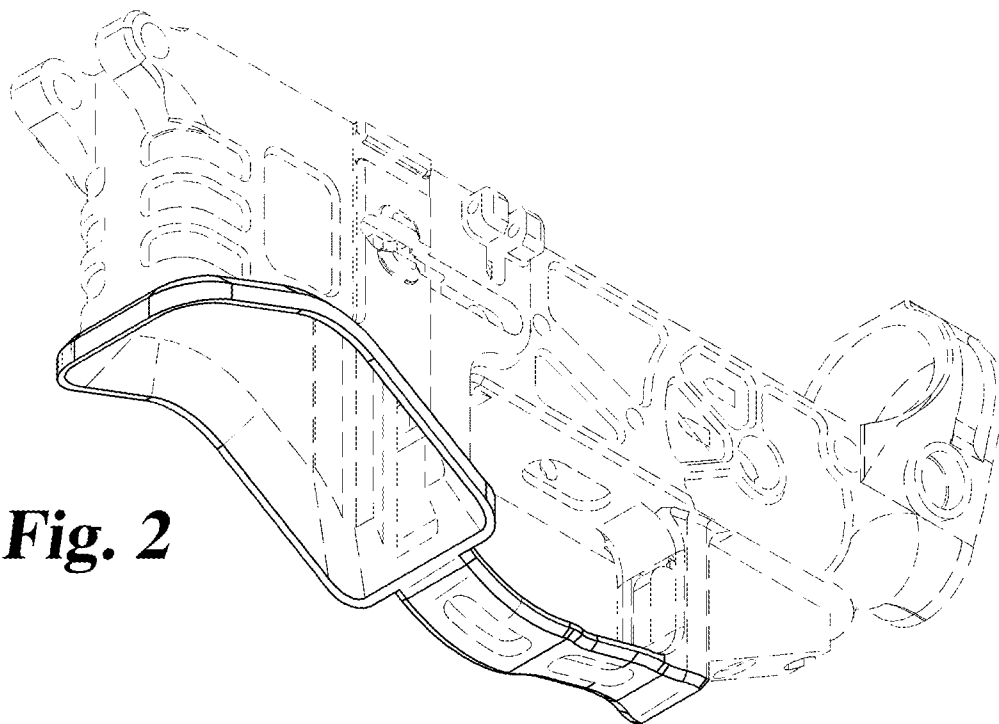


Fig. 2

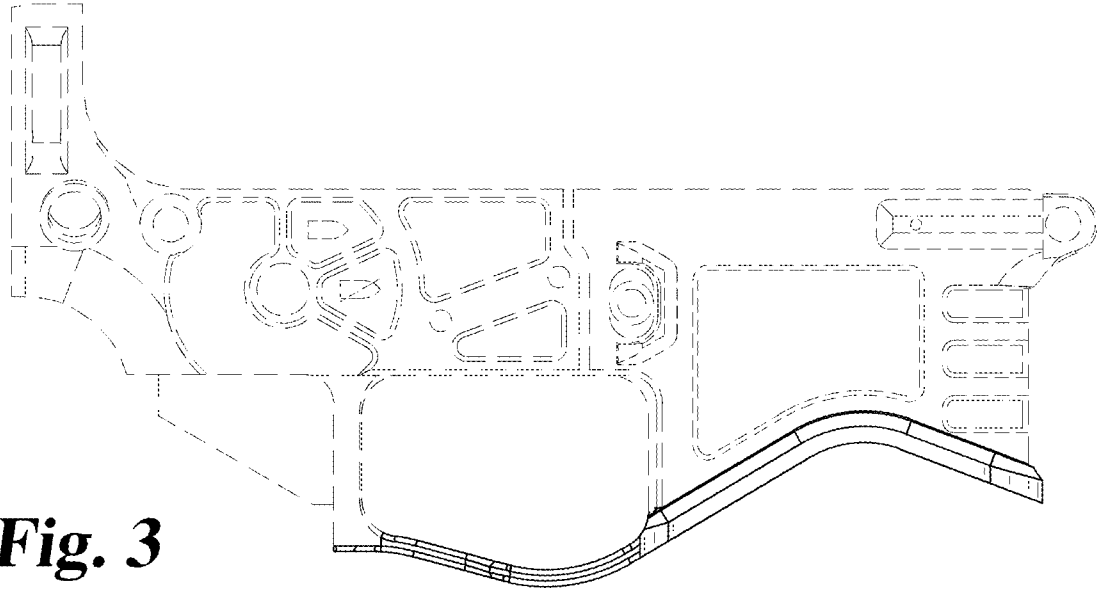


Fig. 3

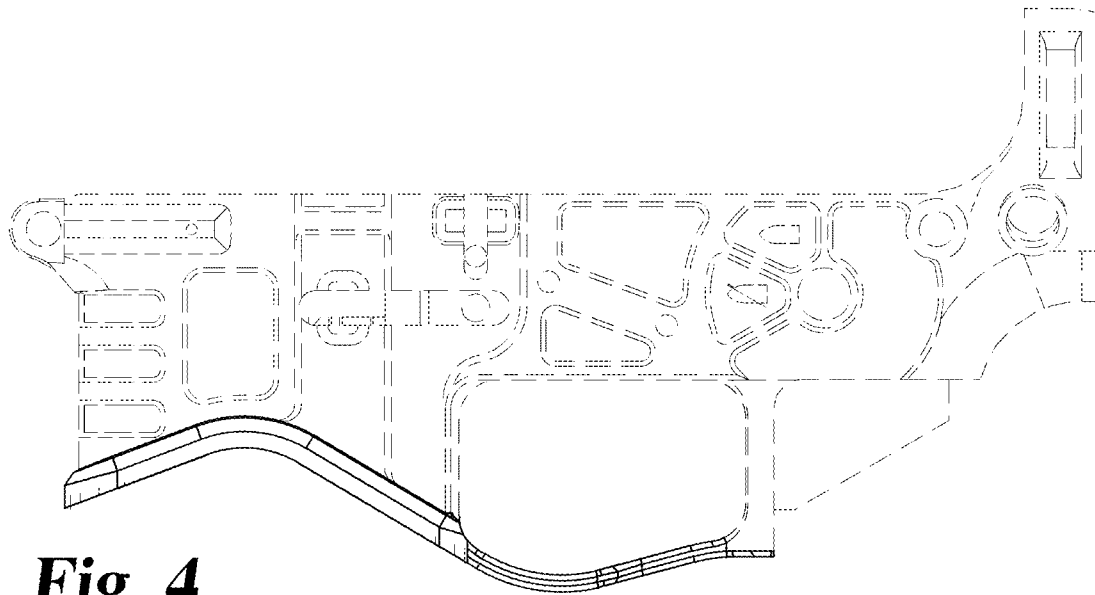


Fig. 4

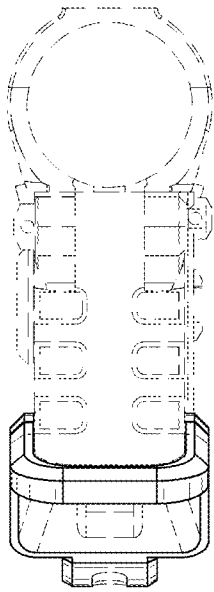


Fig. 5

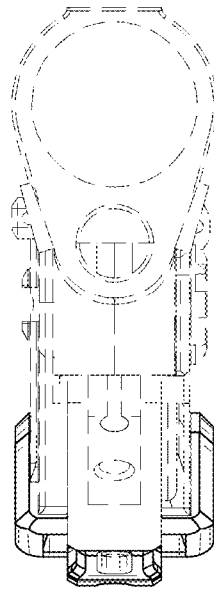


Fig. 6

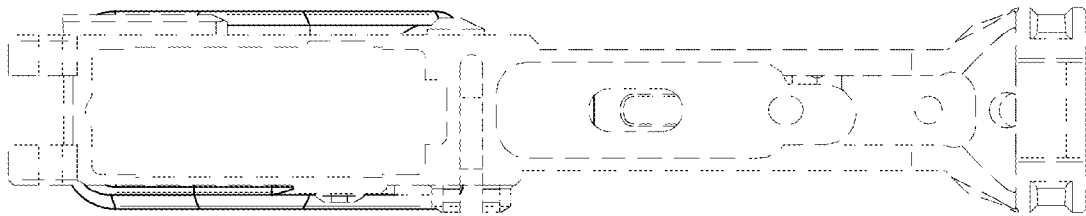


Fig. 7

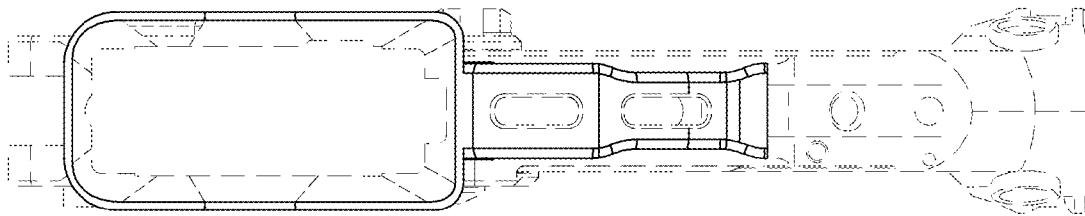


Fig. 8