



US00D865897S

(12) **United States Design Patent**
Reese et al.

(10) **Patent No.:** **US D865,897 S**

(45) **Date of Patent:** **** Nov. 5, 2019**

- (54) **PISTOL**
- (71) Applicant: **Springfield, Inc.**, Geneseo, IL (US)
- (72) Inventors: **Dennis J. Reese**, Geneseo, IL (US);
Charles David Williams, Geneseo, IL (US); **Christopher Martin Baumbach**,
LeClaire, IA (US); **Nick Ballard**,
Galva, IL (US)
- (73) Assignee: **Springfield, Inc.**, Geneseo, IL (US)

5,808,229	A	*	9/1998	Bastian	F41A 11/02
						89/128
D428,101	S	*	7/2000	Rost	D22/100
D458,652	S	*	6/2002	Chan	D21/574
D479,570	S	*	9/2003	Scheunert	D22/104
D505,475	S	*	5/2005	Salva	D22/104
D560,750	S	*	1/2008	Potter	
D597,625	S	*	8/2009	Pflaumer	D22/104
D598,065	S	*	8/2009	Vukovic	D22/104
D627,028	S	*	11/2010	Coulombier	
D681,131	S	*	4/2013	Su	D21/574
D690,374	S	*	9/2013	Lee	D21/574
D692,513	S	*	10/2013	Yigit	D22/104

(Continued)

(**) Term: **15 Years**

(21) Appl. No.: **29/634,412**

(22) Filed: **Jan. 22, 2018**

(51) **LOC (12) Cl.** **22-01**

(52) **U.S. Cl.**
USPC **D22/104**

(58) **Field of Classification Search**
USPC D21/301, 304, 567, 570, 571, 573, 574,
D21/575, 746; D22/100, 101, 102, 103,
D22/106, 107, 108, 109, 110, 111, 112,
D22/115, 116, 199
CPC F41A 3/26; F41A 3/12; F41A 5/02; F41A
17/22; F41B 5/143; F41B 5/14; F41B
5/066; F41B 7/08; F41B 5/1446; F41B
5/148; F41B 5/1465; F42B 6/04; F42B
6/08; F42B 6/02; F42B 6/06; F42B
12/362; F41C 23/16; F41C 27/00; F41C
7/00; F41G 11/003; F41G 11/001; F41G
11/004; F41G 11/005; A63H 5/04
See application file for complete search history.

(56) **References Cited**

U.S. PATENT DOCUMENTS

D363,107	S	*	10/1995	Sanford	D22/100
D365,103	S	*	12/1995	Iacobellis	D14/213
D387,841	S	*	12/1997	Hochstrate	D22/100

OTHER PUBLICATIONS

“First Review: Springfield-Armory 911 .380 Sub-Compact” [online]. Ben Findley. [Published on Feb. 14, 2018]. Retrieved from the Internet: <<https://www.usacarry.com/springfield-armory-911-380-review>>.*

(Continued)

Primary Examiner — Khawaja Anwar
Assistant Examiner — Mojtaba Tehrani
(74) *Attorney, Agent, or Firm* — Woodard, Emhardt,
Henry, Reeves & Wagner, LLP

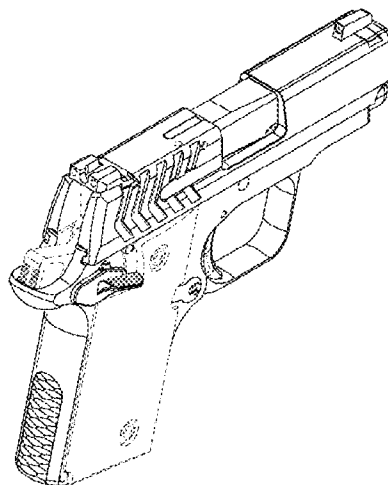
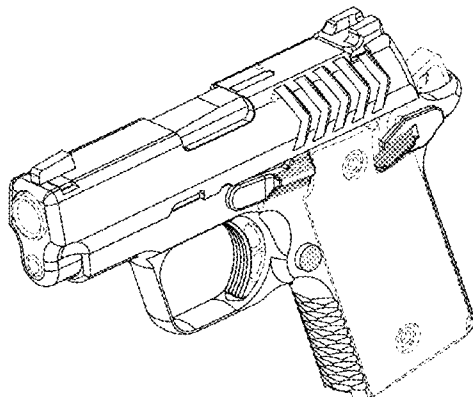
(57) **CLAIM**

The ornamental design for a pistol, as shown and described.

DESCRIPTION

FIG. 1 is a front perspective view of a pistol, showing our new design;
FIG. 2 is a rear perspective view thereof;
FIG. 3 is a right side view thereof;
FIG. 4 is a left side view thereof;
FIG. 5 is a top view thereof;
FIG. 6 is a bottom view thereof;
FIG. 7 is a rear view thereof; and,
FIG. 8 is a front view thereof.

1 Claim, 3 Drawing Sheets



(56)

References Cited

U.S. PATENT DOCUMENTS

9,021,730 B2 * 5/2015 Gentilini F41A 3/12
42/16
D744,049 S * 11/2015 Chu D21/574
D754,802 S * 4/2016 Martelli D21/574
9,310,161 B2 * 4/2016 Ermossa F41C 23/10
D755,907 S * 5/2016 Hu D21/574
D758,519 S 6/2016 Toner et al.
9,546,831 B2 * 1/2017 Bandini F41A 3/44
9,551,550 B2 * 1/2017 Wells F41C 27/00
9,664,471 B1 * 5/2017 Curry F41A 19/30
D808,487 S * 1/2018 Beville D22/104
D814,593 S * 4/2018 O'Clair D22/104
D823,969 S * 7/2018 Beville D22/104
D828,881 S * 9/2018 Lee D21/574
D828,892 S * 9/2018 Kellgren D22/104
D830,480 S * 10/2018 Chu D21/574
D834,656 S * 11/2018 Chu D21/574
2004/0049963 A1 3/2004 Christiansen

OTHER PUBLICATIONS

NHC Lady. Screen Shot from <https://ezine.m1911.org/nhclady.htm>.
Screen Shot from <http://ltwguns.com/forum/viewtopic.php?f=6&t=5367&view=previous>.

Screen Shot from <https://www.fusionfirearms.com/pro-series-government>.

Screen Shots from <https://forums.1911forum.com/showthread.php?t=65431>.

* cited by examiner

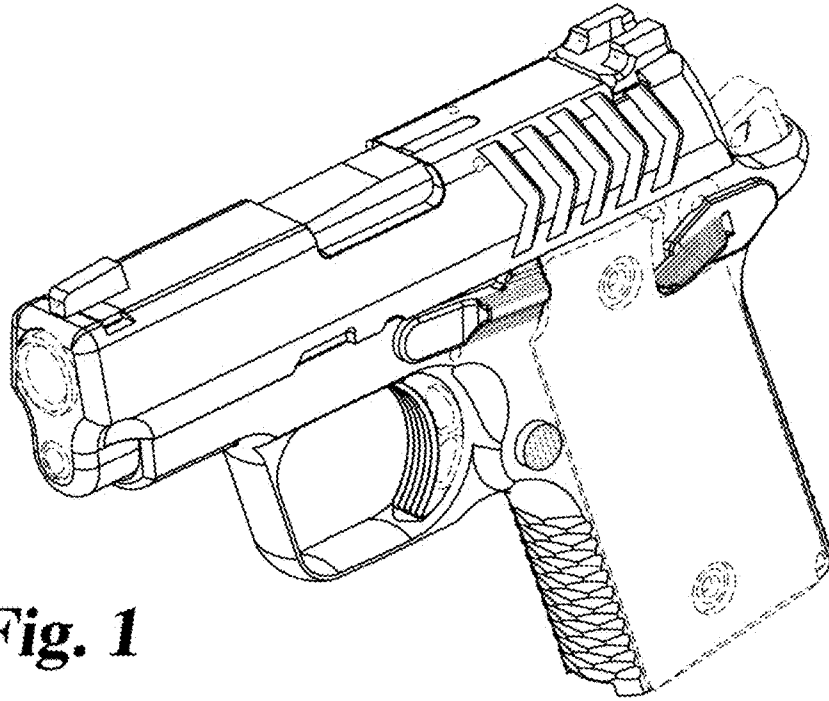


Fig. 1

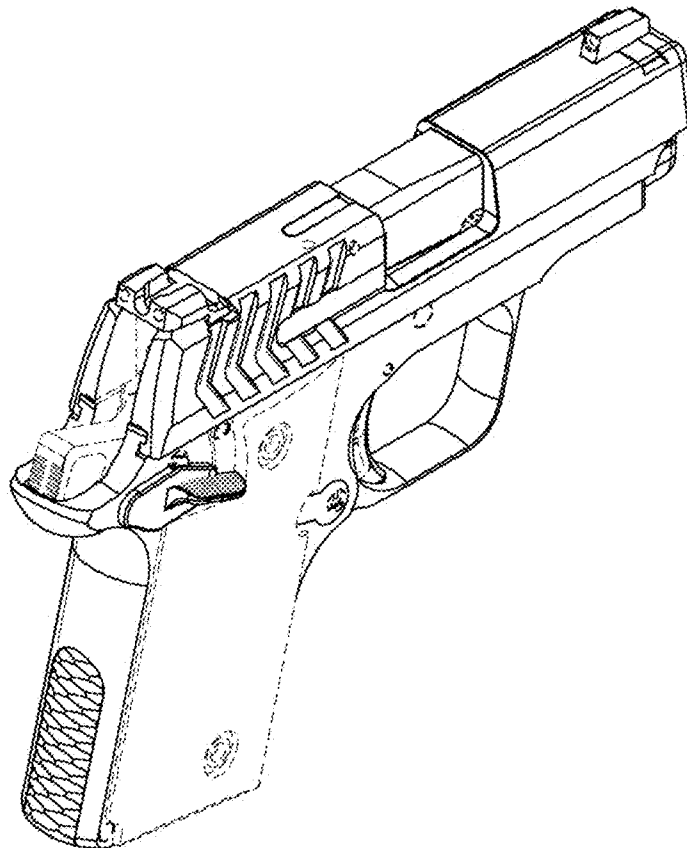


Fig. 2

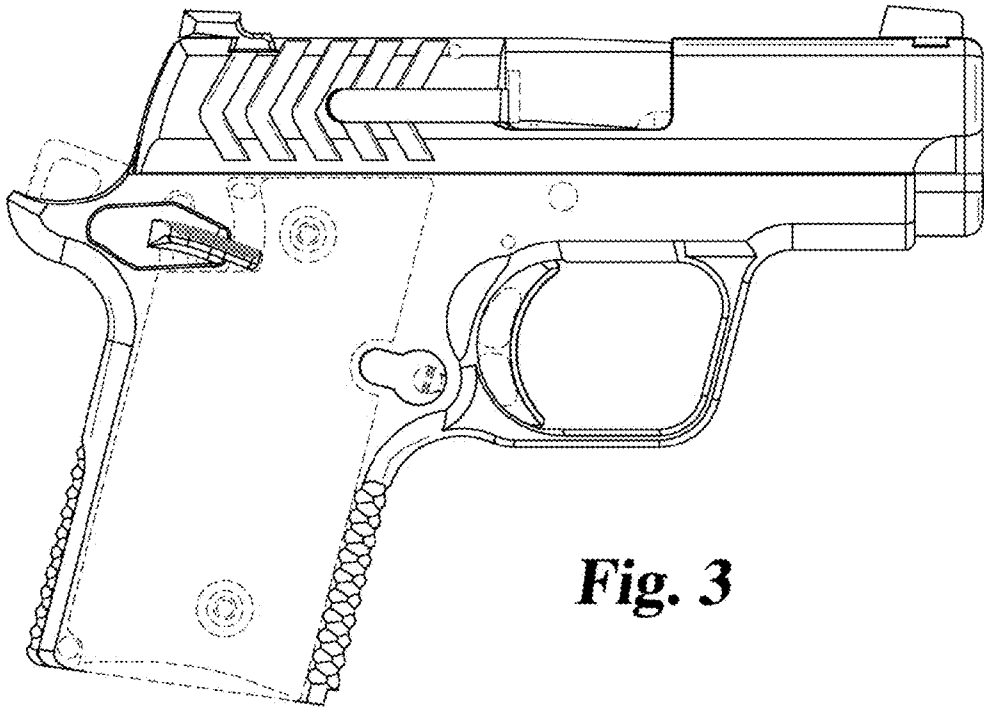


Fig. 3

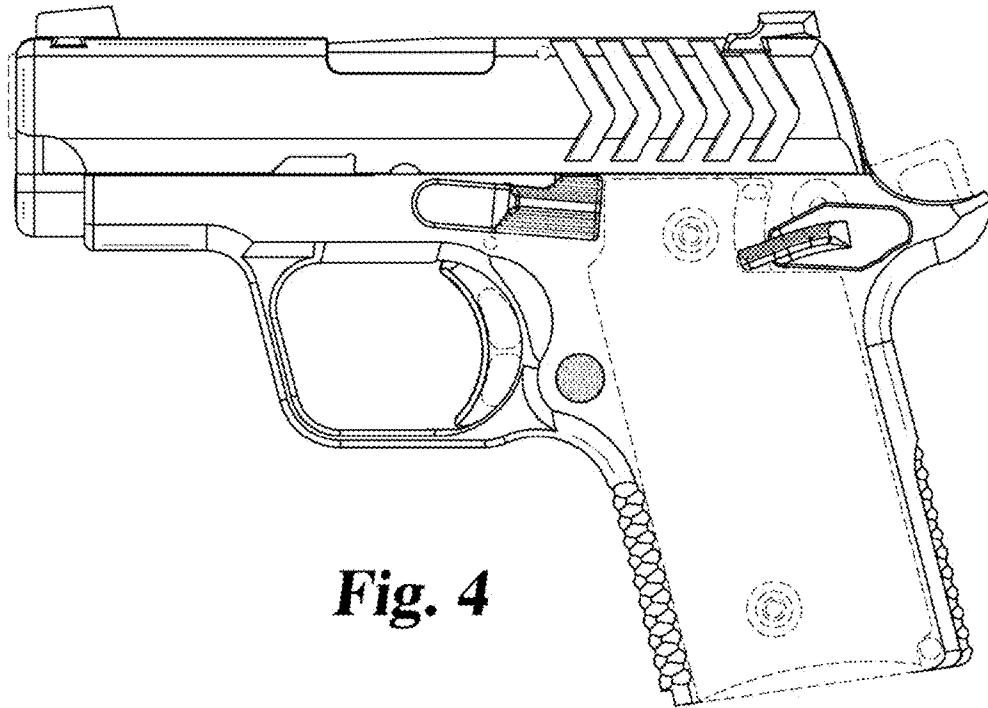


Fig. 4

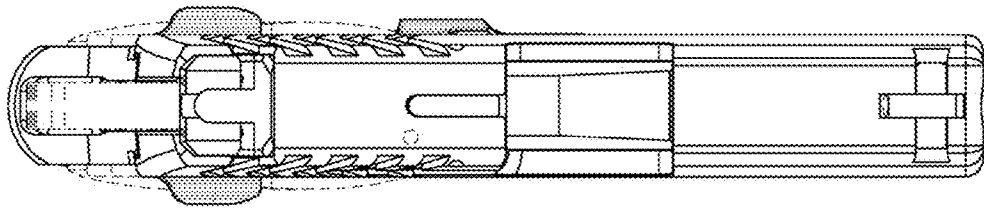


Fig. 5

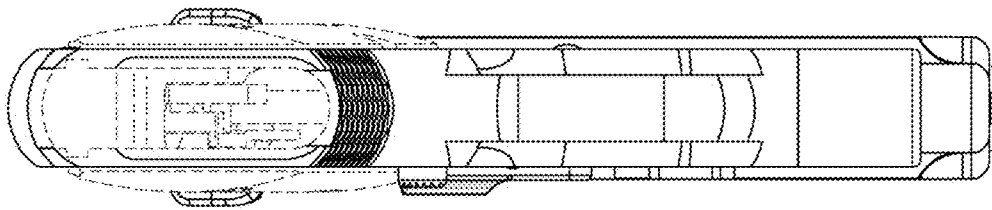


Fig. 6

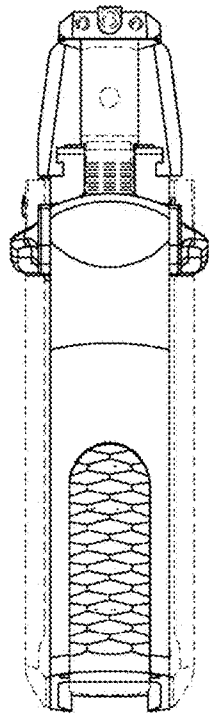


Fig. 7

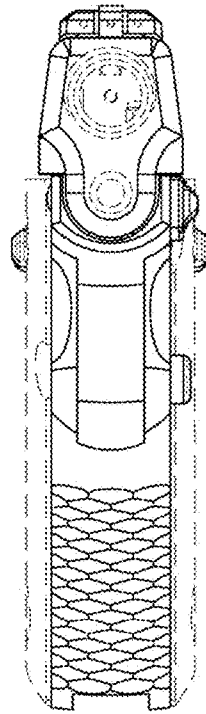


Fig. 8