



US00D859571S

(12) **United States Design Patent** (10) **Patent No.:** **US D859,571 S**
Spine (45) **Date of Patent:** **** Sep. 10, 2019**

(54) **HANDGUN MAGAZINE**
(71) Applicant: **HS PRODUKT D.O.O.**, Karlovac (HR)
(72) Inventor: **Marijo Spine**, Karlovac (HR)
(**) Term: **15 Years**
(21) Appl. No.: **35/505,308**
(22) Filed: **Jun. 22, 2018**

(80) **Hague Agreement Data**
Int. Filing Date: **Jun. 22, 2018**
Int. Reg. No.: **DM/101799**
Int. Reg. Date: **Jun. 22, 2018**
Int. Reg. Pub. Date: **Jul. 13, 2018**

(51) **LOC (12) Cl.** **22-01**
(52) **U.S. Cl.**
USPC **D22/108**
(58) **Field of Classification Search**
USPC D22/108
CPC F41A 9/70; F41A 9/65; F41A 9/71; F41A 9/68; F41A 9/69; F41A 11/02; F41A 9/61; F41A 9/00; F41A 9/17; F41A 9/23; F41A 9/34; F41A 9/84

See application file for complete search history.

(56) **References Cited**
U.S. PATENT DOCUMENTS
2017/0146310 A1* 5/2017 Biran F41A 17/46
2017/0363398 A1* 12/2017 McCloy F42B 8/08
2018/0058785 A1* 3/2018 Hefer F41A 9/83
2018/0066907 A1* 3/2018 Hefer F41A 9/83
2018/0347929 A1* 12/2018 Hsu F41A 9/72
* cited by examiner

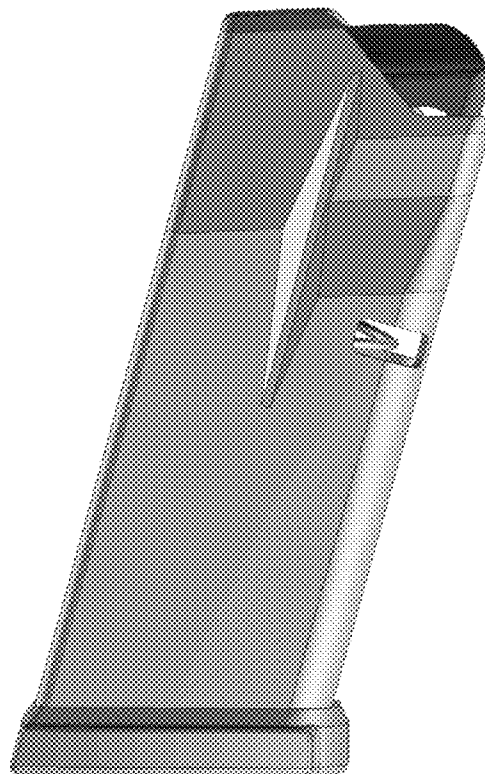
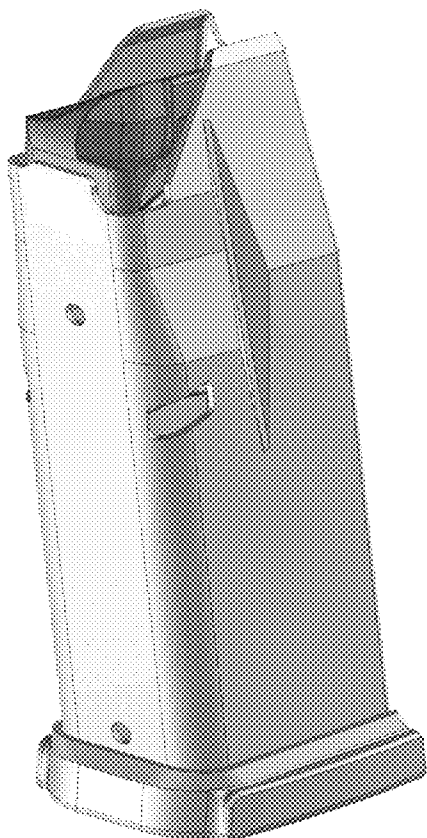
Primary Examiner — Michael A. Pratt

(57) **CLAIM**
The ornamental design for handgun magazine, as shown and described.

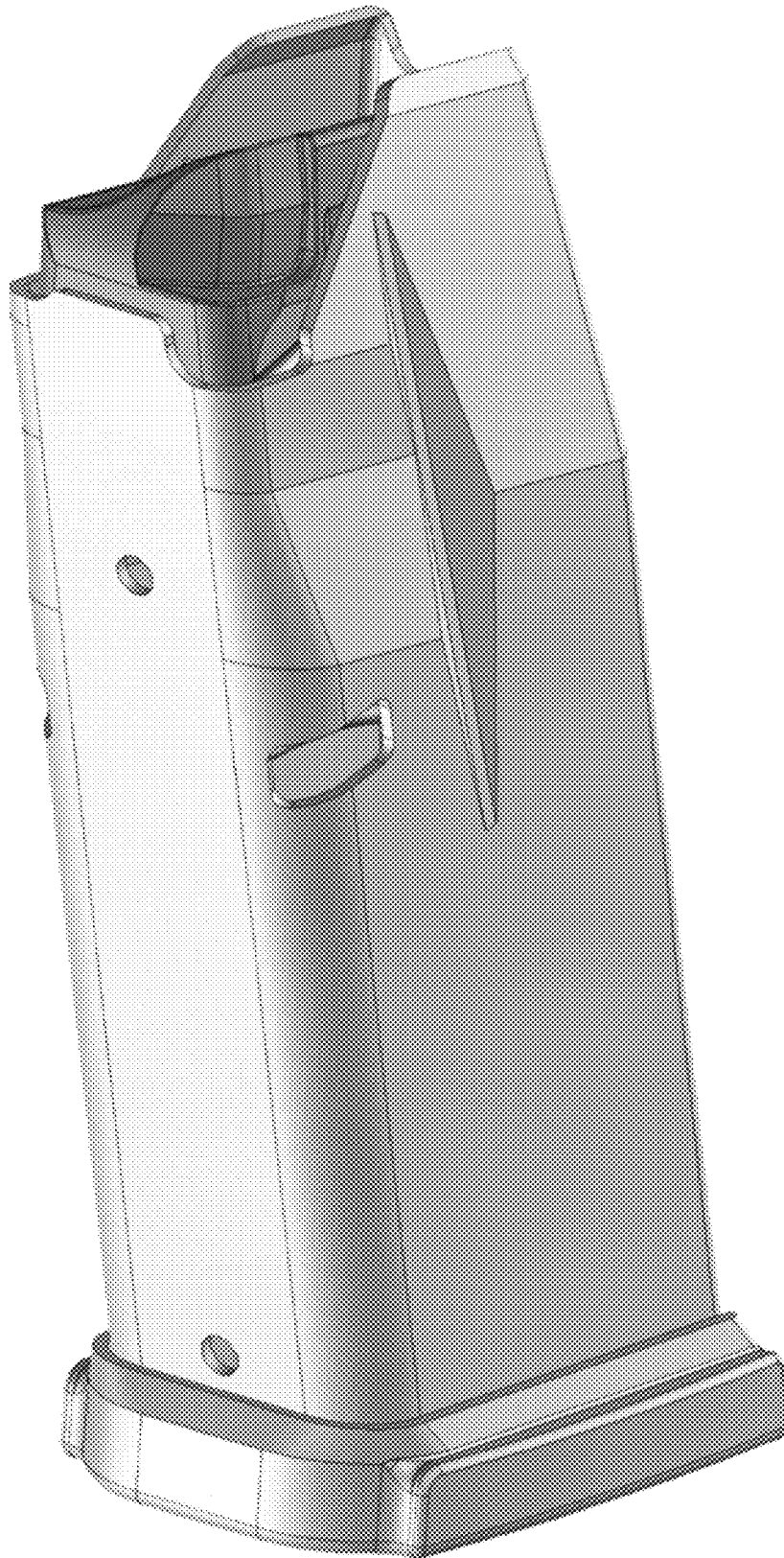
DESCRIPTION

- 1. Handgun magazine
- 1.1 : Perspective
- 1.2 : Left
- 1.3 : Right
- 1.4 : Back
- 1.5 : Front
- 1.6 : Perspective
- 1.7 : Perspective
- 1.8 : Perspective

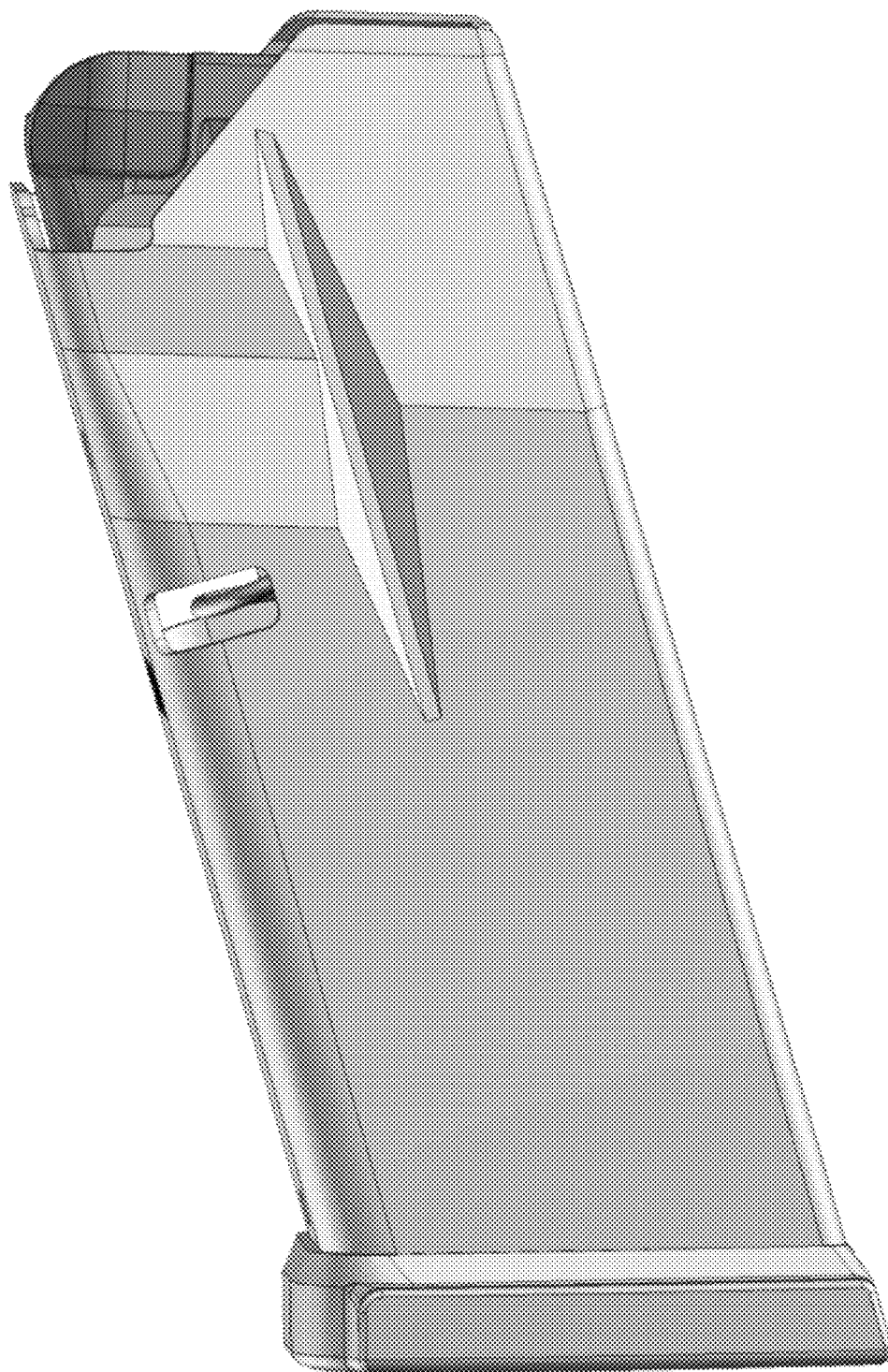
1 Claim, 8 Drawing Sheets



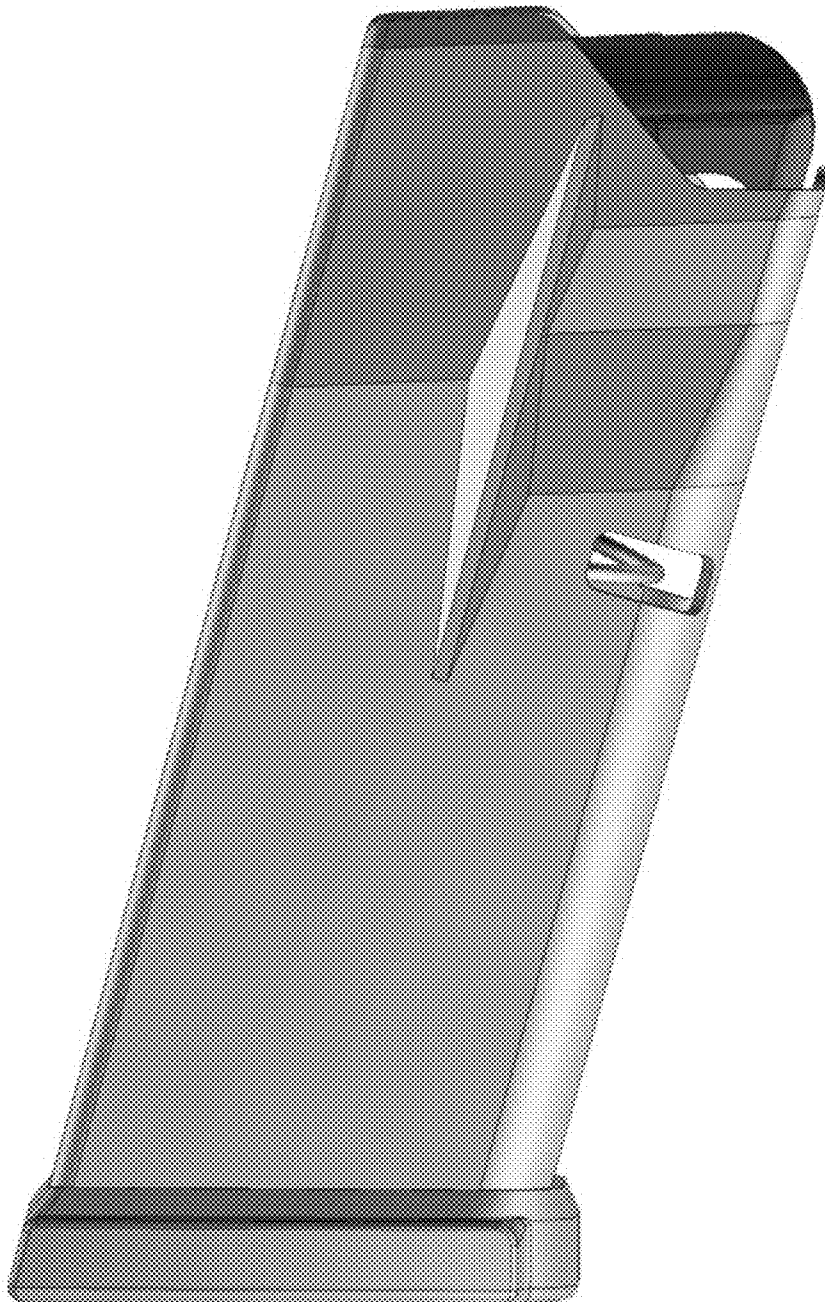
1.1



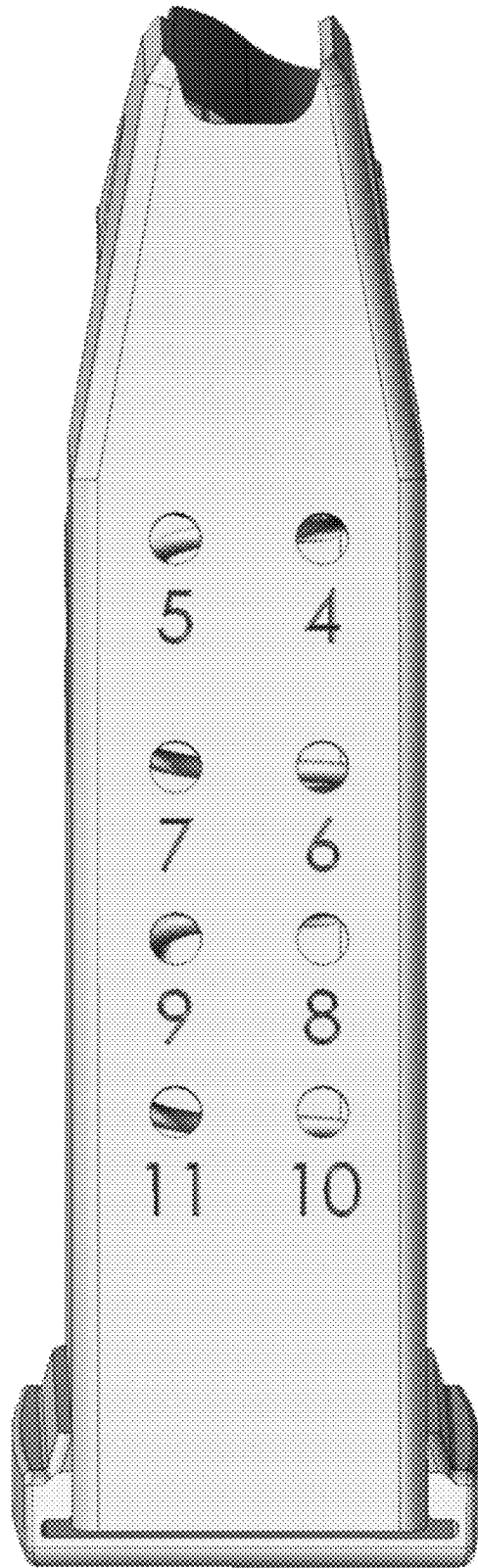
1.2



1.3



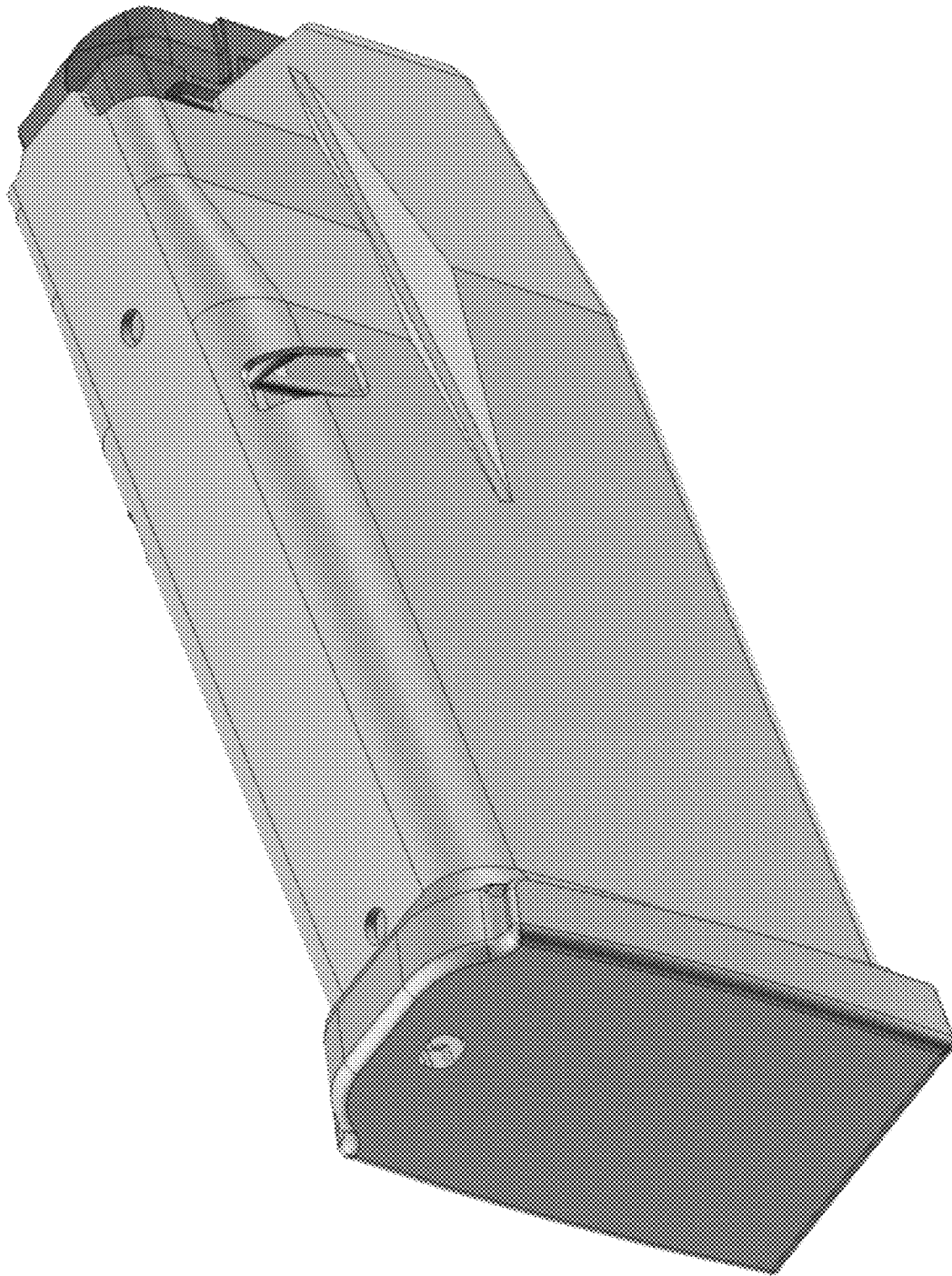
1.4



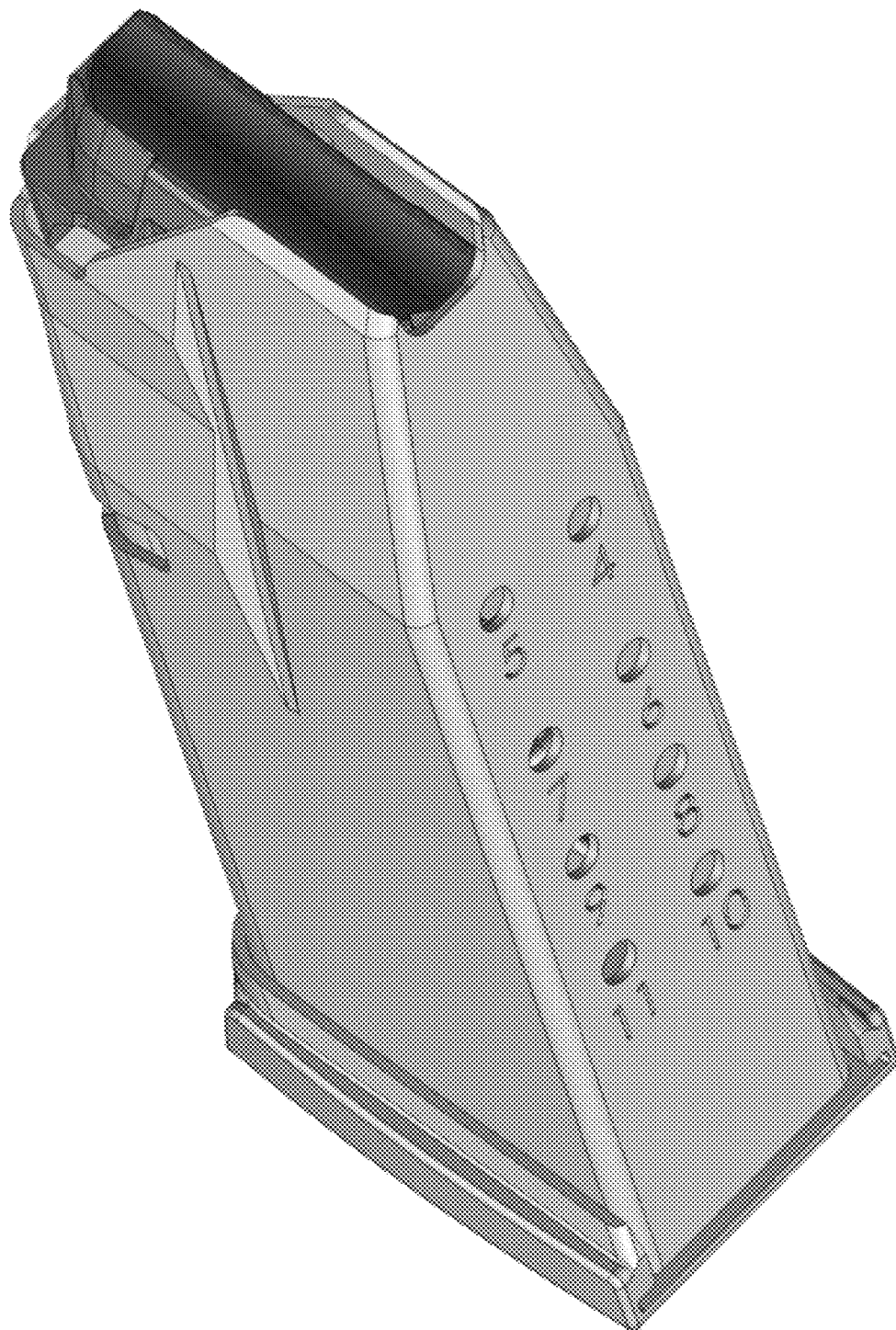
1.5



1.6



1.7



1.8

