



US0D1016954S

(12) **United States Design Patent**
Krnežić

(10) **Patent No.:** **US D1,016,954 S**

(45) **Date of Patent:** **** Mar. 5, 2024**

(54) **FIREARM ACCESSORY**

FOREIGN PATENT DOCUMENTS

(71) Applicant: **HS Produkt D.O.O.**, Karlovac (HR)

EP 1 930 684 6/2008
WO WO 2019/118995 A1 6/2019

(72) Inventor: **Mario Krnežić**, Ozalj (HR)

(73) Assignee: **HS Produkt D.O.O.**, Karlovac (HR)

(**) Term: **15 Years**

OTHER PUBLICATIONS

(21) Appl. No.: **29/791,931**

“The Best Compensator for the PSA Dagger . . . Herrington Arms HCDG” [online]. Herrington Arms. [Published Sep. 24, 2023]. Retrieved from the Internet: <<https://www.youtube.com/watch?v=Jh5Z62Re6e8>>.*

(22) Filed: **Feb. 18, 2022**

(Continued)

(51) **LOC (14) Cl.** **22-01**

Primary Examiner — Mojtaba Tehrani

(52) **U.S. Cl.**

(74) *Attorney, Agent, or Firm* — Woodard, Emhardt, Henry, Reeves & Wagner, LLP

USPC **D22/108**

(58) **Field of Classification Search**

USPC D22/104, 105, 108; D21/573, 574
CPC F41C 3/00; F41C 7/00; F41A 21/32; F41A 35/04; F41A 21/36; F41A 21/325
See application file for complete search history.

(57) **CLAIM**

The ornamental design for a firearm accessory, as shown and described.

(56) **References Cited**

DESCRIPTION

U.S. PATENT DOCUMENTS

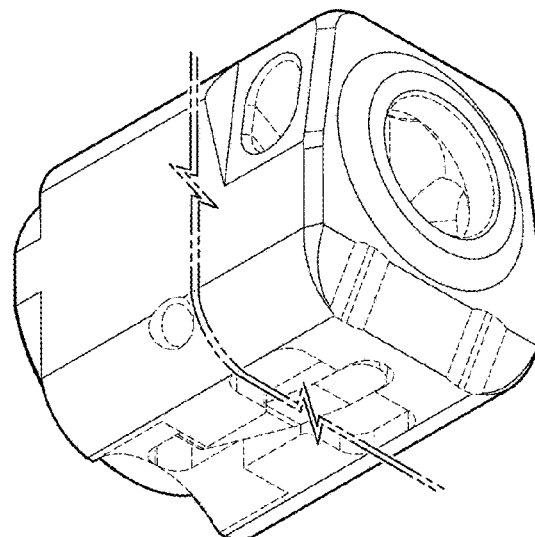
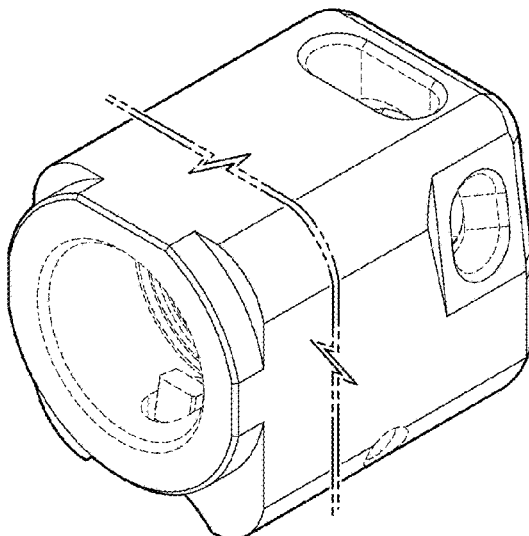
3,202,056 A	8/1965	Seeberger	
3,710,679 A	1/1973	Werbell, III	
4,235,152 A	11/1980	Bekker et al.	
4,374,484 A	2/1983	Bekker et al.	
4,576,084 A	3/1986	Brandl et al.	
4,691,614 A *	9/1987	Leffel	F41A 21/36 89/14.3
4,715,140 A	12/1987	Rosenwald	
4,920,679 A	5/1990	Sarles et al.	
4,930,397 A *	6/1990	Seidler	F41A 21/36 89/14.3
5,050,480 A	9/1991	Knight, Jr. et al.	
5,136,924 A	8/1992	Forster et al.	
7,661,349 B1	2/2010	Brittingham	
7,823,314 B1	11/2010	Wheatley	
D760,859 S *	7/2016	Venegas	D22/108
10,234,237 B1 *	3/2019	Jager	F41A 21/36
10,508,878 B1	12/2019	Oglesby	
D909,528 S *	2/2021	Jen	D22/108

(Continued)

FIG. 1 is a back, top perspective view of the firearm accessory showing my new design;
FIG. 2 is a front, bottom perspective view thereof;
FIG. 3 is a front view thereof;
FIG. 4 is a back view thereof;
FIG. 5 is a right side view thereof;
FIG. 6 is a left side view thereof;
FIG. 7 is top view thereof; and,
FIG. 8 is a bottom view thereof.

The evenly broken lines depict unclaimed portions of the firearm accessory; The dash-dot-dot broken lines depict symbolic break lines, which disclose indeterminate length. The broken lines form no part of the claimed design. The appearance of any portion of the firearm accessory between the break lines that are not shown, from no part of the claimed design.

1 Claim, 4 Drawing Sheets



(56)

References Cited

U.S. PATENT DOCUMENTS

11,156,423 B2 10/2021 Winterseth et al.
D947,311 S * 3/2022 Bolt-Ray D22/108
11,525,648 B2 * 12/2022 Fan F41A 21/36
2017/0205178 A1 7/2017 Niswander et al.
2019/0011209 A1 * 1/2019 Chavez F41A 21/36
2019/0058792 A1 2/2019 Wolf
2019/0154388 A1 * 5/2019 Jager F41G 1/02
2020/0141681 A1 5/2020 Na et al.
2023/0175797 A1 * 6/2023 Dawson, Jr. F41A 3/14
89/199
2023/0266089 A1 * 8/2023 Krnezic F41A 21/325
89/14.3

OTHER PUBLICATIONS

English Translation of WO 2019/118995 A1, Retrieved Mar. 30, 2023 from Pat Docs.
Blog Silencer Shop, Direct Thread, Quick Attach Suppressors, Retrieved Feb. 8, 2022.
English Translation of EP 1 930 684 by Gaston Glock, Retrieved Feb. 9, 2022.
Silencer Shop, Dead Air Sandman, Retrieved Feb. 8, 2022.
Silencer Shop, Silencerco Omega 300, Retrieved Feb. 8, 2022.
Silencer Shop, Silencerco Omega 36m, Retrieved Feb. 8, 2022.
Silencer Shop, Surefire Socom 556 RC2, Retrieved Feb. 8, 2022.
YouTube Video, Dead Air Sandman K Review, Retrieved Feb. 8, 2022.
YouTube Video, Warm Armament Resarch's WAR-LOC System, Retrieved Feb. 9, 2022.
YouTube Video, YHM Q.D. Mount Explained, Retrieved Feb. 8, 2022.

* cited by examiner

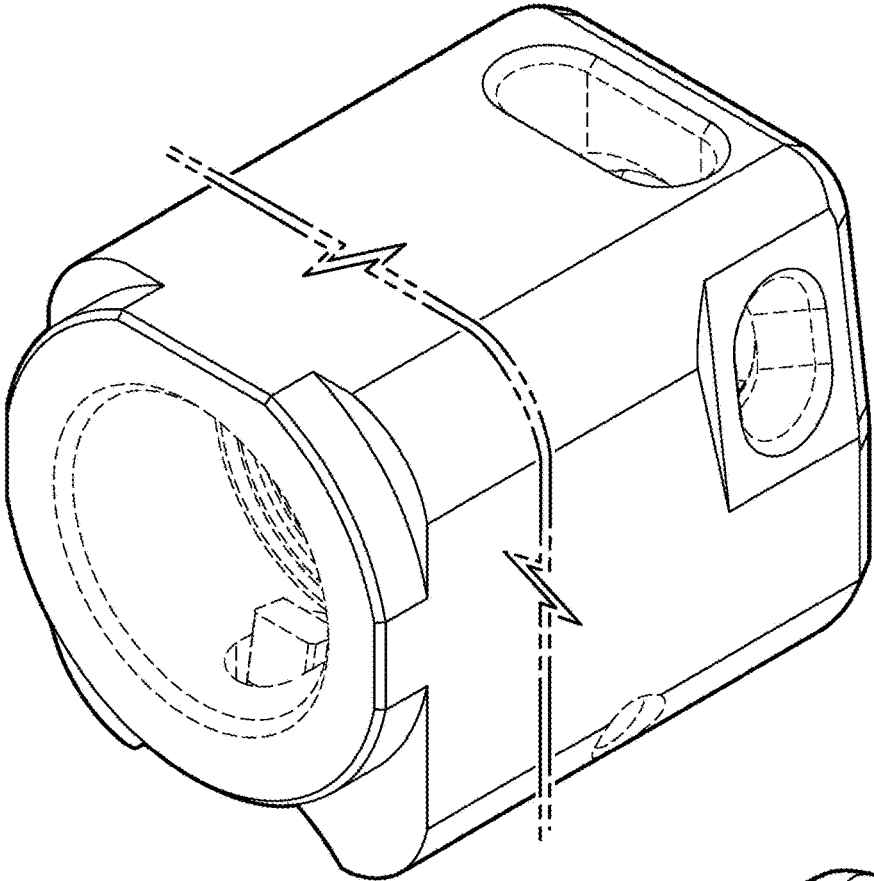


Fig. 1

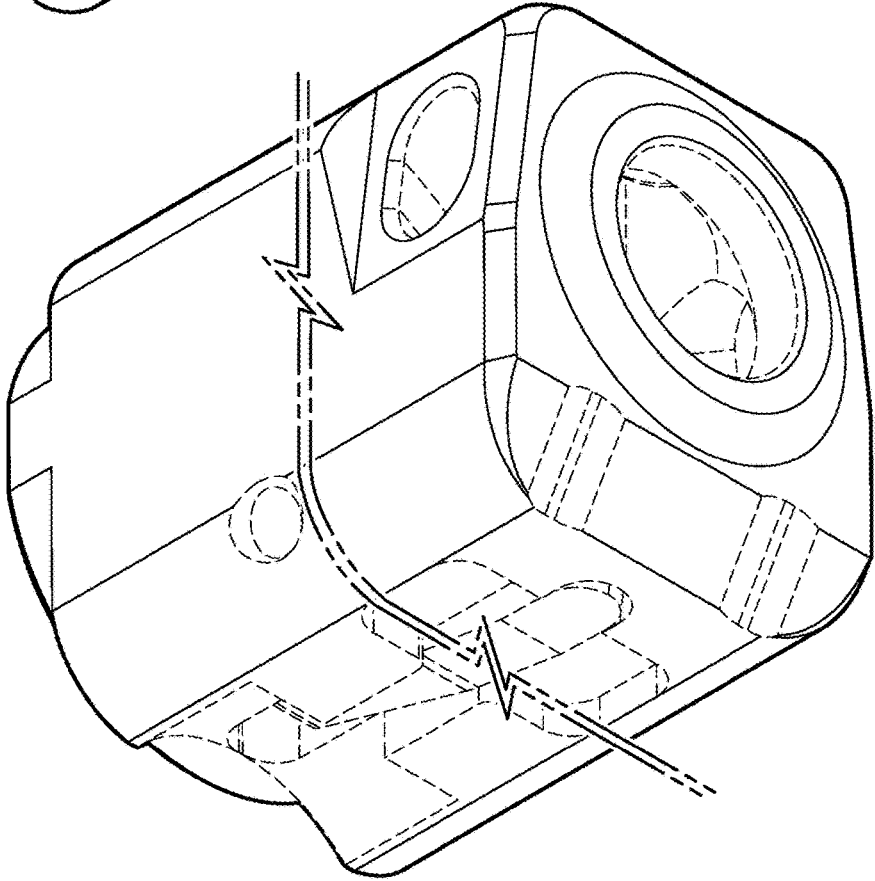


Fig. 2

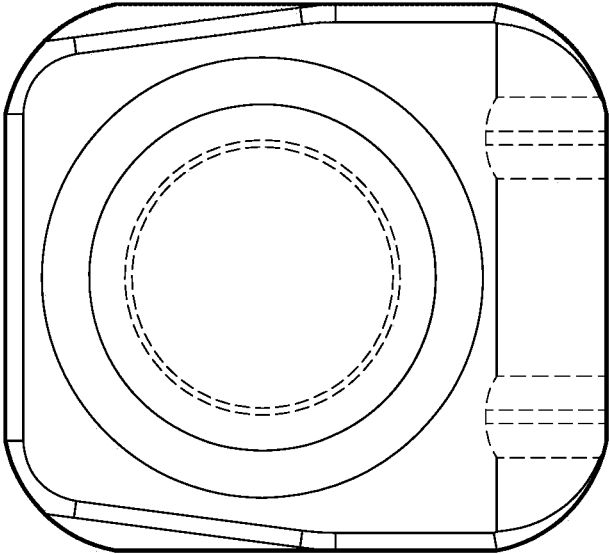


Fig. 3

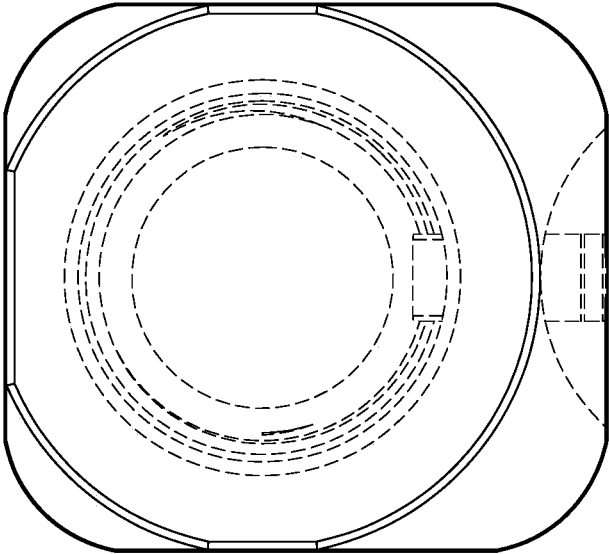


Fig. 4

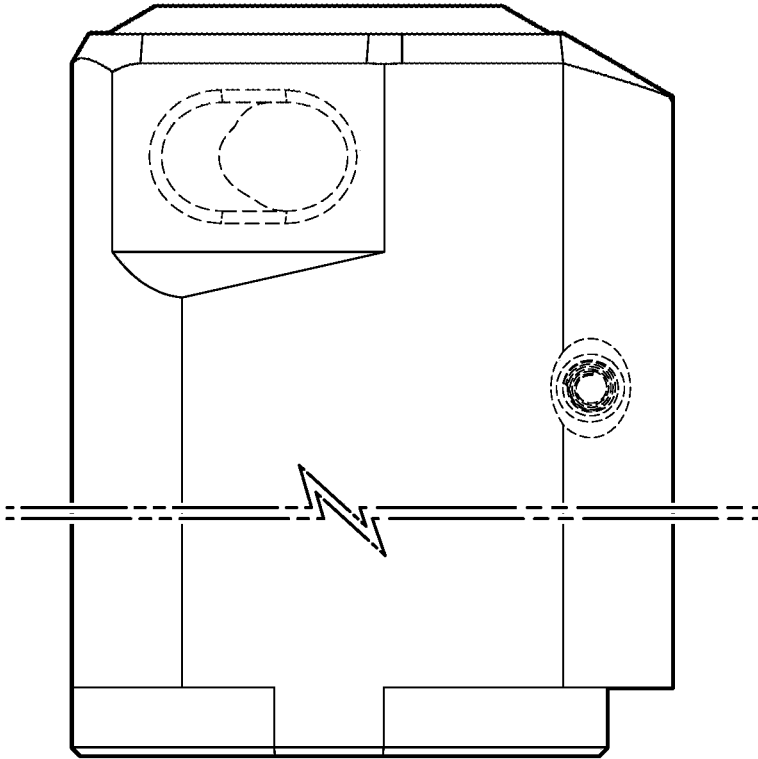


Fig. 5

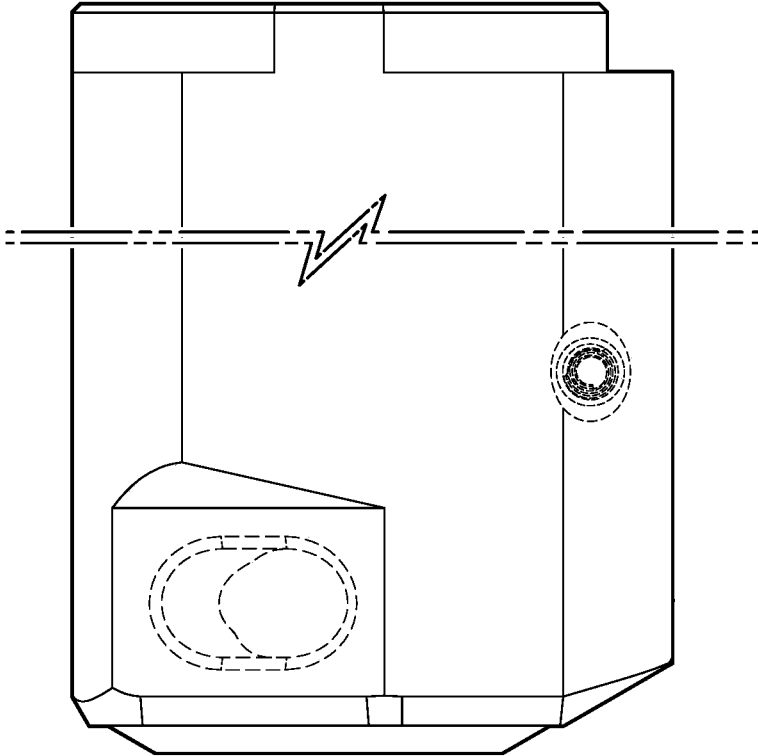


Fig. 6

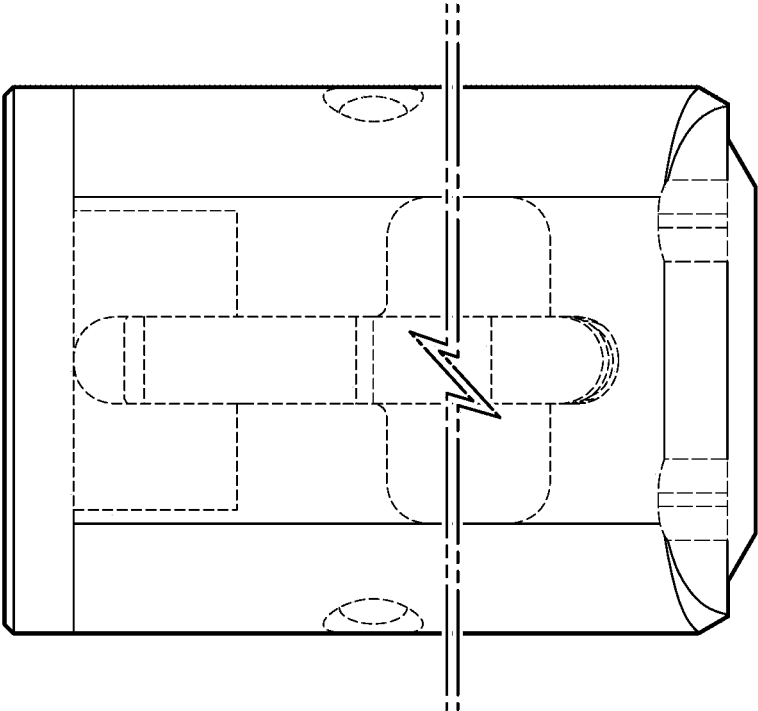


Fig. 8

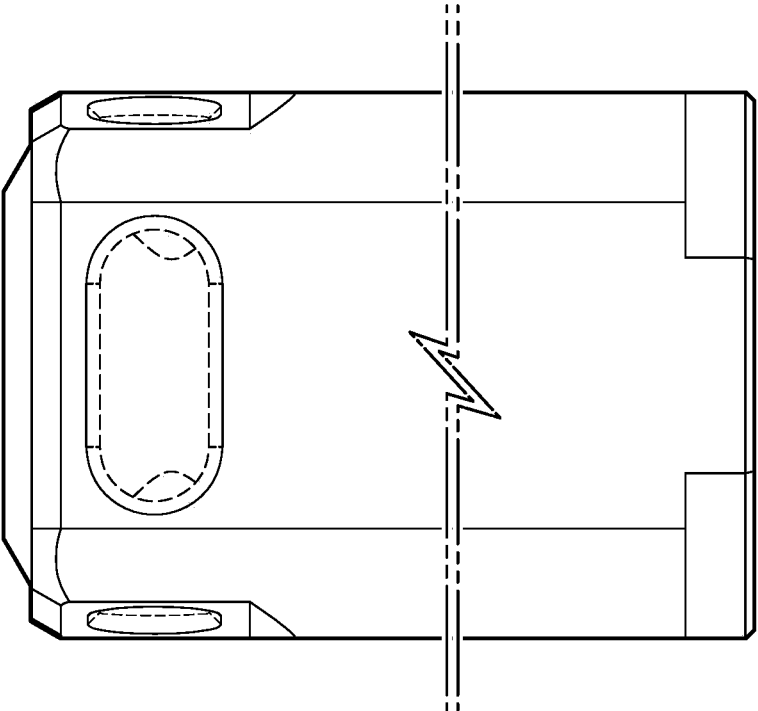


Fig. 7