



US0D1002781S

(12) **United States Design Patent**
Reese et al.

(10) **Patent No.:** **US D1,002,781 S**

(45) **Date of Patent:** **** Oct. 24, 2023**

(54) **OPTIC FOR A FIREARM**

(71) Applicant: **Springfield, Inc.**, Geneseo, IL (US)

(72) Inventors: **Dennis J. Reese**, Geneseo, IL (US);
Stephen H. McKelvain, Geneseo, IL (US); **Nick Ballard**, Galva, IL (US)

(73) Assignee: **Springfield, Inc.**, Geneseo, IL (US)

(**) Term: **15 Years**

(21) Appl. No.: **29/771,512**

(22) Filed: **Feb. 23, 2021**

(51) **LOC (14) Cl.** **22-01**

(52) **U.S. Cl.**

USPC **D22/109**

(58) **Field of Classification Search**

USPC D22/108, 109, 110; D16/130

CPC F41G 1/14; F41G 1/38; F41G 1/40; F41G

11/003; F41G 1/16; F41G 1/02; F41G

1/06; F41A 23/005; F41C 23/16

See application file for complete search history.

(56)

References Cited

U.S. PATENT DOCUMENTS

D413,645 S	9/1999	Sheehan	
D420,088 S	2/2000	Sheehan	
D429,789 S	8/2000	Sheehan	
D450,800 S	10/2001	Sheehan	
6,327,806 B1	12/2001	Paige	
D460,512 S	7/2002	Sheehan	
7,634,866 B2	12/2009	Javorsky	
D612,006 S *	3/2010	Kohler	D22/109
D618,756 S *	6/2010	Kohler	D22/109
D662,566 S	6/2012	Estes	
D667,524 S	9/2012	Glimpse et al.	
8,443,541 B2	5/2013	Elpedes et al.	
D747,431 S	1/2016	Cheng et al.	
D784,480 S	4/2017	Oz et al.	
9,752,853 B2	9/2017	Teetzel et al.	
D801,468 S	10/2017	Kedairy	

D819,161 S	5/2018	Kedairy	
D837,927 S	1/2019	Trulsson	
10,175,029 B2	1/2019	Teetzel et al.	
D846,689 S *	4/2019	Cheng	D22/109

(Continued)

FOREIGN PATENT DOCUMENTS

DE 10 2017 128 920 A1 6/2019

OTHER PUBLICATIONS

“Springfield Armory Introduce New Hex Red Dot Optics” [online]. Matthew Moss. [Published on Feb. 24, 2021]. Retrieved from the Internet: <<https://www.thefirearmblog.com/blog/2021/02/24/springfield-armory-introduce-new-hex-red-dot-optics/>>.*

(Continued)

Primary Examiner — Mojtaba Tehrani

(74) *Attorney, Agent, or Firm* — Woodard, Emhardt, Henry, Reeves & Wagner, LLP

(57)

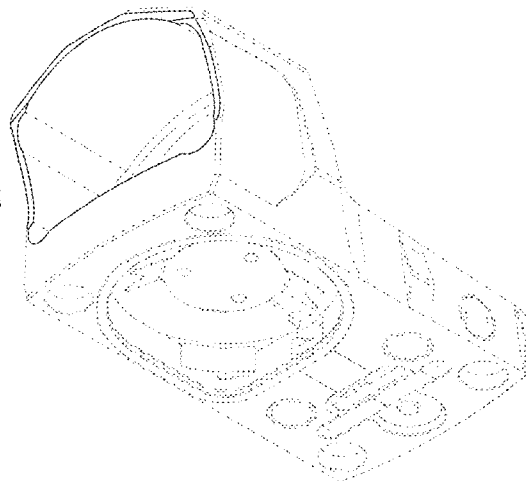
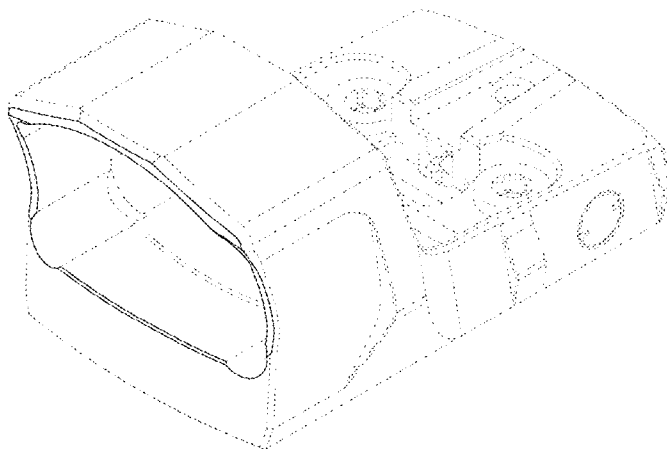
CLAIM

The ornamental design for an optic for a firearm, as shown and described.

DESCRIPTION

FIG. 1 is a front, top, left perspective view of the optic for a firearm showing our new design; FIG. 2 is a rear, top, left perspective view thereof; FIG. 3 is a front, bottom, left perspective view thereof; FIG. 4 is a rear, bottom, left perspective view thereof; FIG. 5 is a front view thereof; FIG. 6 is a rear view thereof; FIG. 7 is a right side view thereof; FIG. 8 is a left side view thereof; FIG. 9 is a top view thereof; and, FIG. 10 is a bottom view thereof. The broken lines illustrate portions of the optic for a firearm that form no part of the claimed design.

1 Claim, 10 Drawing Sheets



(56)

References Cited

OTHER PUBLICATIONS

U.S. PATENT DOCUMENTS

D846,690 S * 4/2019 Cheng D22/109
 D847,292 S 4/2019 Hoff
 D848,567 S * 5/2019 Soejima D22/109
 D849,180 S * 5/2019 Cheng D22/109
 10,302,396 B1 5/2019 Ray et al.
 D856,458 S 8/2019 Cheng et al.
 D856,459 S 8/2019 Hamilton et al.
 D857,145 S 8/2019 Hillman et al.
 D869,594 S * 12/2019 Lance D22/108
 D869,596 S * 12/2019 Huston D22/109
 D872,219 S * 1/2020 Horton D22/109
 D875,875 S 2/2020 Jung et al.
 10,563,955 B2 2/2020 Paiel et al.
 D877,847 S * 3/2020 Vail D22/109
 D882,716 S * 4/2020 Connolly D22/109
 D895,052 S * 9/2020 Johnston D22/109
 D895,760 S * 9/2020 Johnston D22/109
 D906,465 S * 12/2020 Horton D22/109
 10,907,932 B2 * 2/2021 Curry F41G 1/30
 11,009,314 B2 5/2021 Courtice
 11,067,362 B1 7/2021 Chin
 D960,278 S * 8/2022 Lance D22/108
 D963,780 S * 9/2022 McKelvain D22/109
 D975,818 S * 1/2023 Hamilton D22/109
 2010/0024274 A1 2/2010 Lippard
 2011/0314721 A1 12/2011 Lamb
 2012/0144721 A1 6/2012 Glimpse et al.
 2012/0151816 A1 6/2012 Koeck et al.
 2013/0255129 A1 10/2013 Curry
 2014/0109456 A1 4/2014 Jung et al.
 2015/0198415 A1 * 7/2015 Campean F41G 1/30
 42/137
 2019/0186870 A1 6/2019 Barnett et al.
 2020/0232759 A1 7/2020 York et al.
 2021/0116213 A1 4/2021 York et al.
 2021/0207928 A1 * 7/2021 Brewer F41G 1/16
 2021/0231407 A1 7/2021 Salinas
 2021/0293510 A1 9/2021 Rosen et al.
 2022/0170718 A1 * 6/2022 Reese G02B 23/16

Academy Website Red Dot Sights, Retrieved Apr. 20, 2022.
 Academy Website Reflex Sights, Retrieved Apr. 20, 2022.
 Holographic Sights Academy, Holographic Sights, Retrieved Apr. 20, 2022.
 Holsun Open Reflex sight, Retrieved Apr. 20, 2022.
 Leupold Deltapoint Pro Red Dot Sights, Retrieved Apr. 20, 2022.
 Meprolight Foresight Reflex Optic Web Page, Retrieved Apr. 20, 2022.
 Meprolight Website for Optics and Sights, Retrieved Apr. 20, 2022.
 NCStar Website, VISM Microdot Reflex Optic with Quick Release, Retrieved Apr. 20, 2022.
 Optics Den Webpage with Dagger Defense, Retrieved Apr. 20, 2022.
 Optics Planet.com Website, Steiner HT QD 1913 Mount, Retrieved Apr. 20, 2022.
 Reflex Optics Web Page 1, Retrieved Apr. 20, 2022.
 Reflex Optics Web Page 2, Retrieved Apr. 20, 2022.
 Sig Sauer Website, Reflex Optics, Retrieved Apr. 20, 2022.
 TruGlo Website, Dot Optics, Retrieved Apr. 20, 2022.
 VISM Flip Dot Red Dot Reflex Optic, Retrieved Apr. 20, 2022.
 Web page for Trijicon Reflex/Red Dot sights, Retrieved Apr. 20, 2022.
 English Translation of DE 10 2017 128 920, retrieved Mar. 8, 2021.
 Optics Factory, Red Dot Sight for Beretta, Retrieved May 3, 2021.
 Ammoland, DARC Micro Pistol dot from Sousa Optics, Retrieved May 24, 2022.
 Ammoland, EAA Corp. New MC9 Pistol, Retrieved May 24, 2022.
 Canik New Red Dot Sight Pistol for Mecanik Review, YouTube, Retrieved May 24, 2022.
 CT Rad Micro PRO, YouTube, Retrieved May 24, 2022.
 Mepro Foresight, YouTube, Retrieved May 24, 2022.
 Mepro M5, YouTube Video, Retrieved May 24, 2022.
 Mepro RDS Series, YouTube Video, Retrieved May 24, 2022.

* cited by examiner

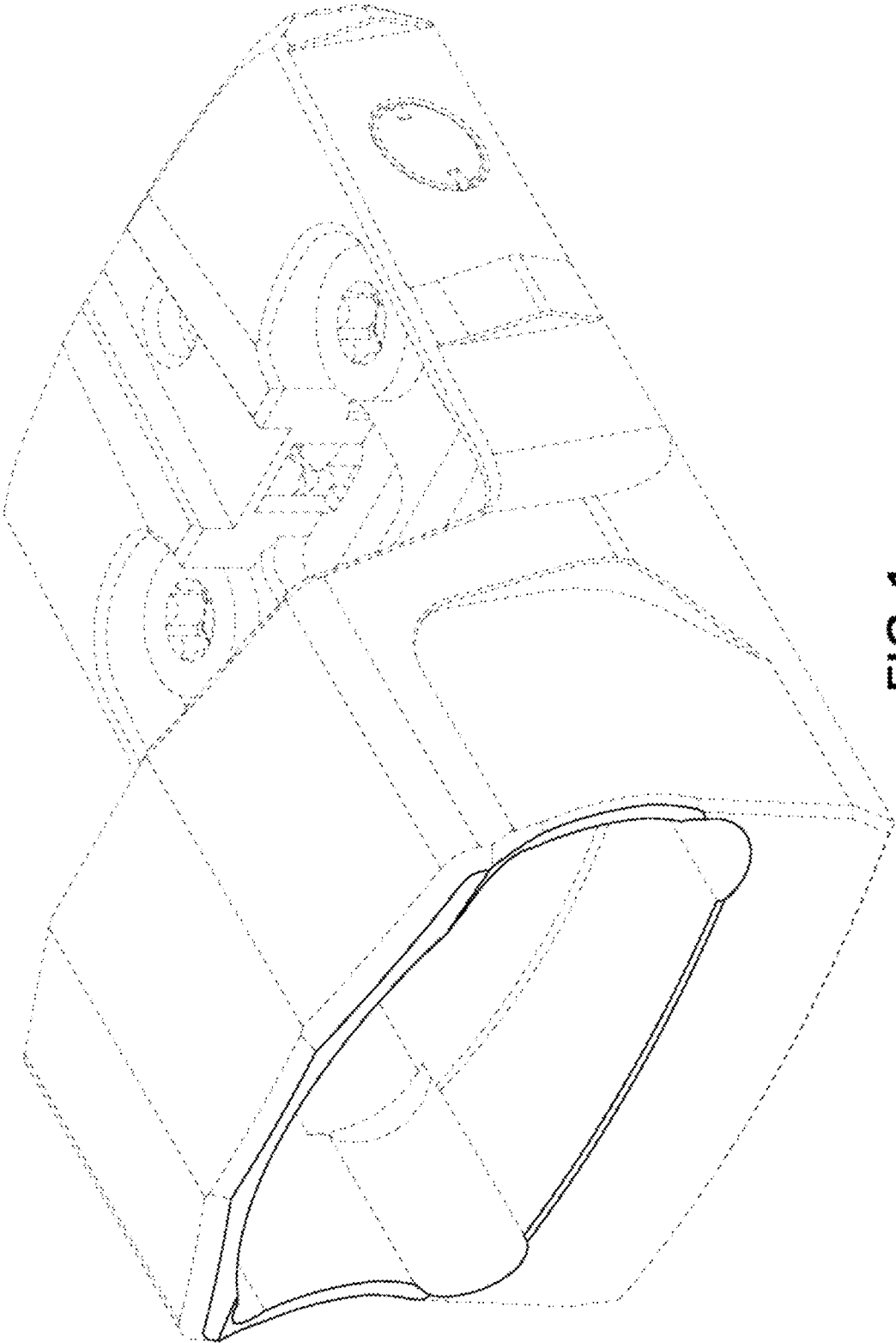


FIG.1

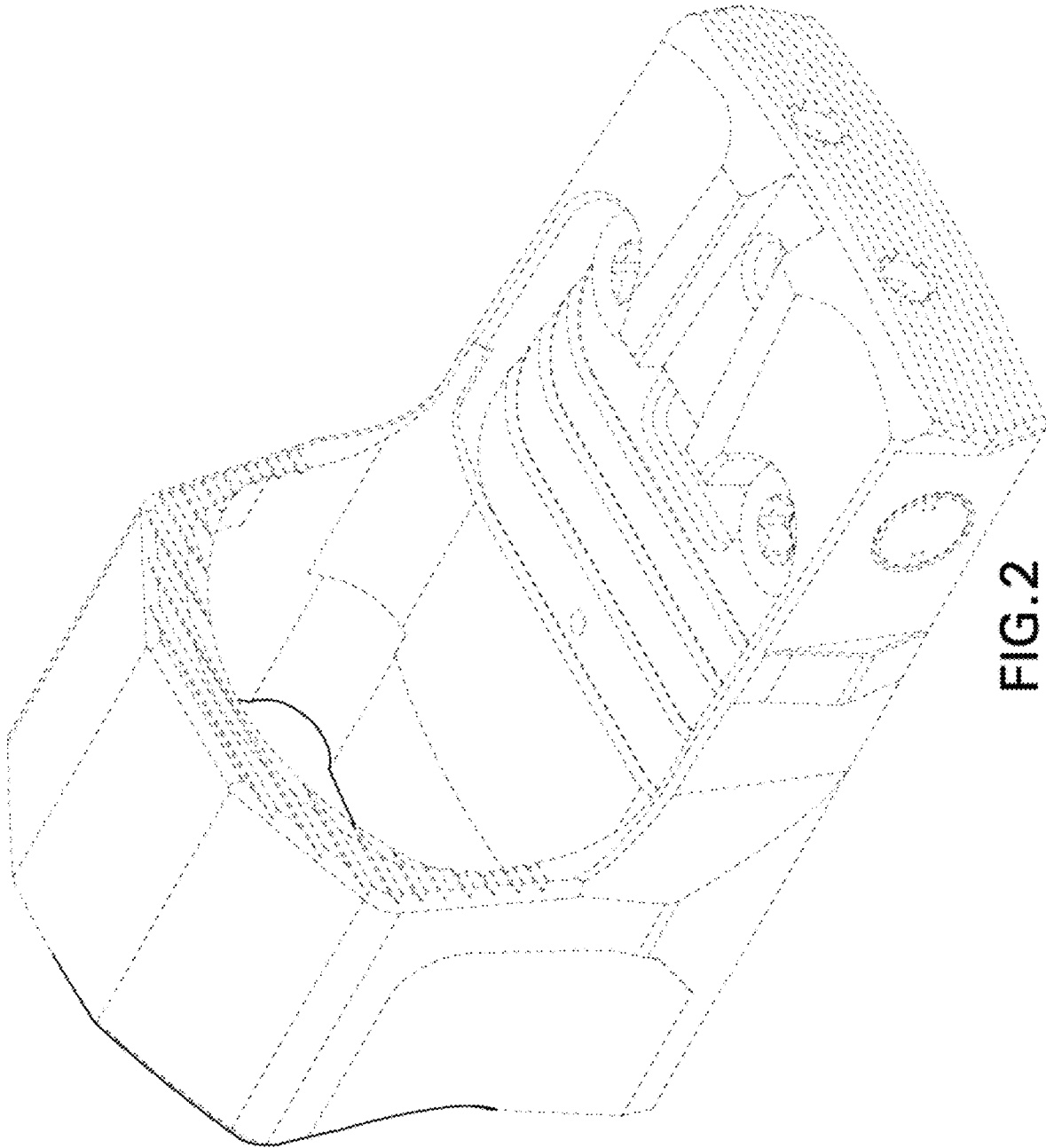


FIG. 2

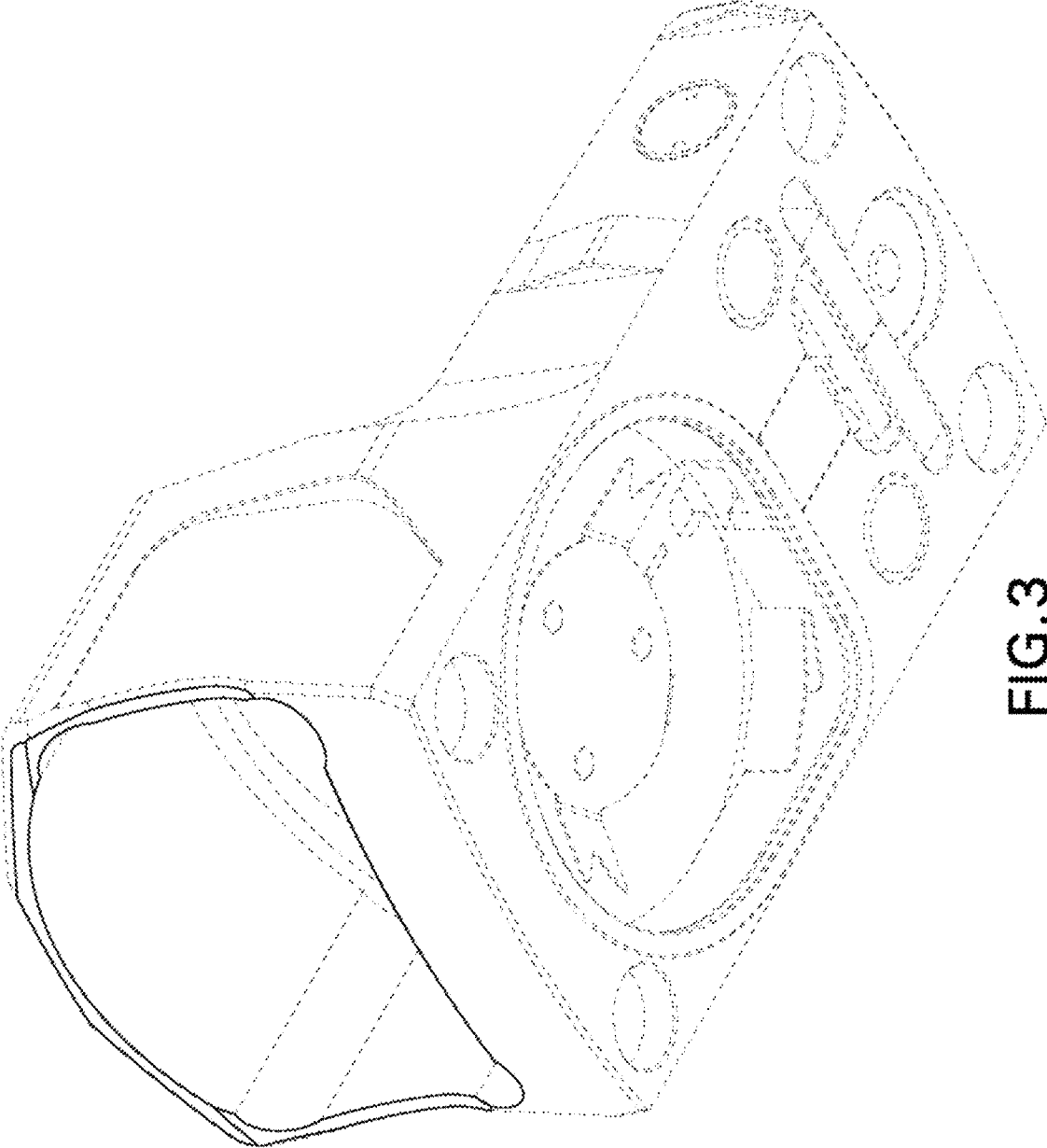


FIG. 3

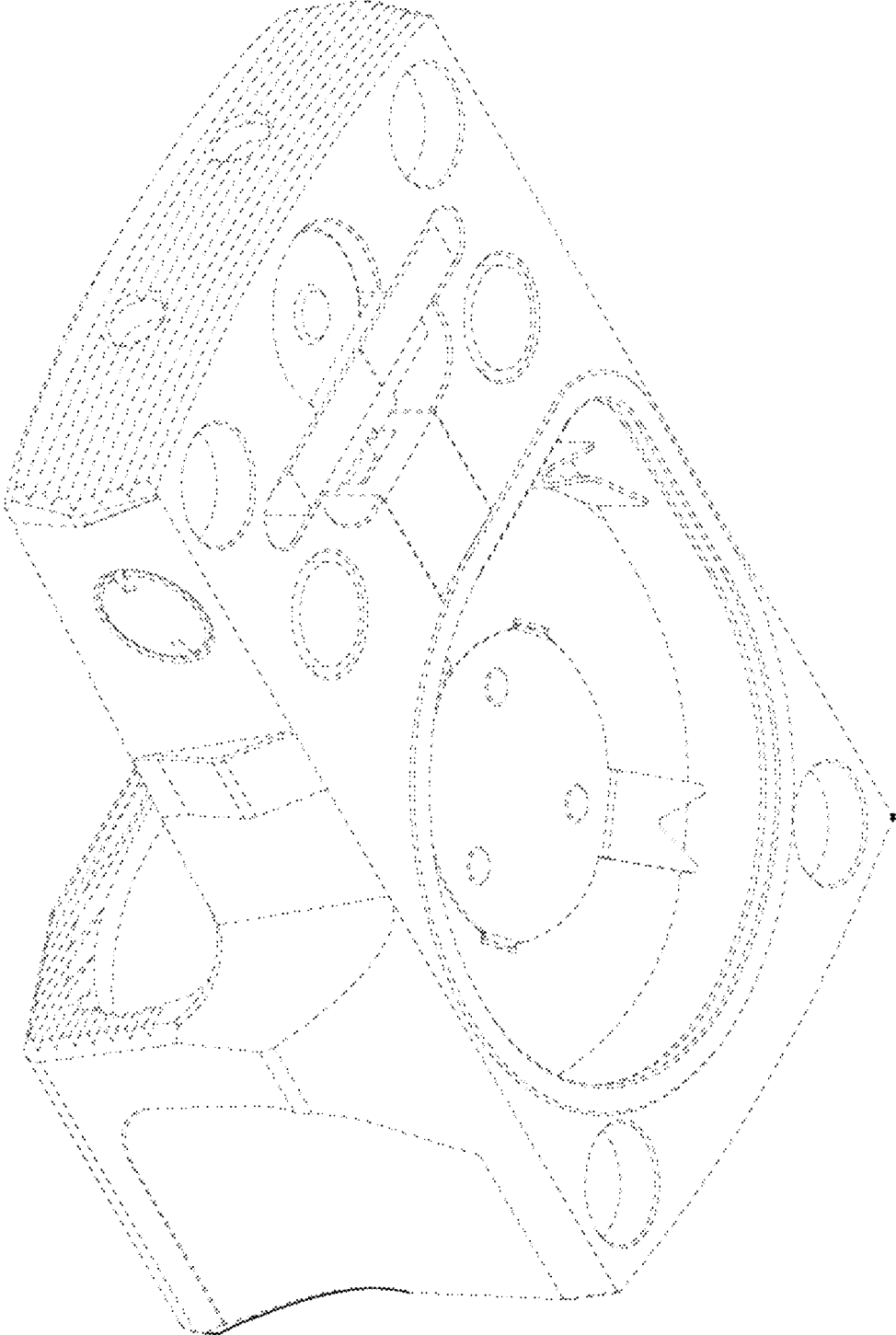


FIG.4

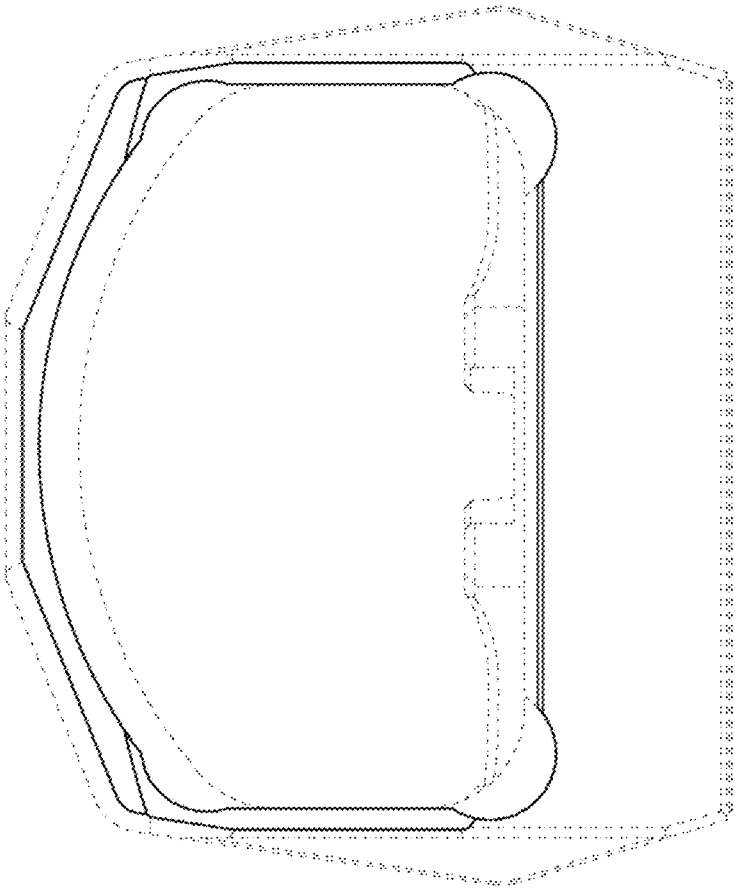


FIG. 5

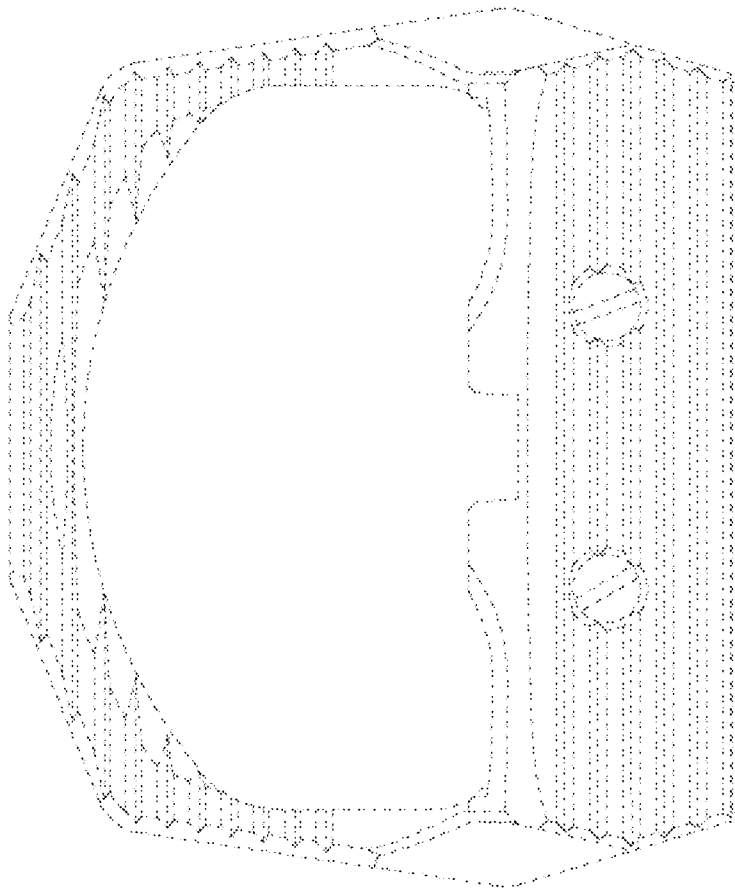


FIG. 6

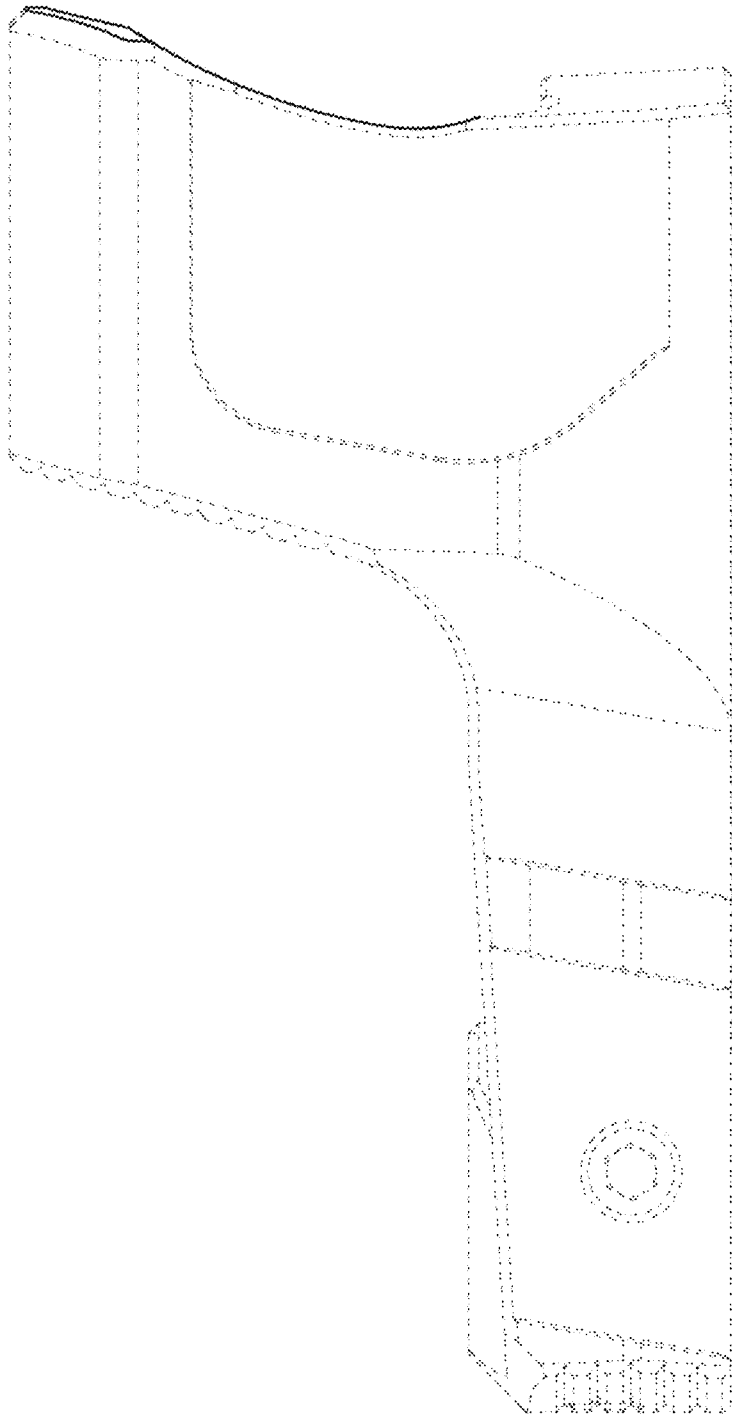


FIG. 7

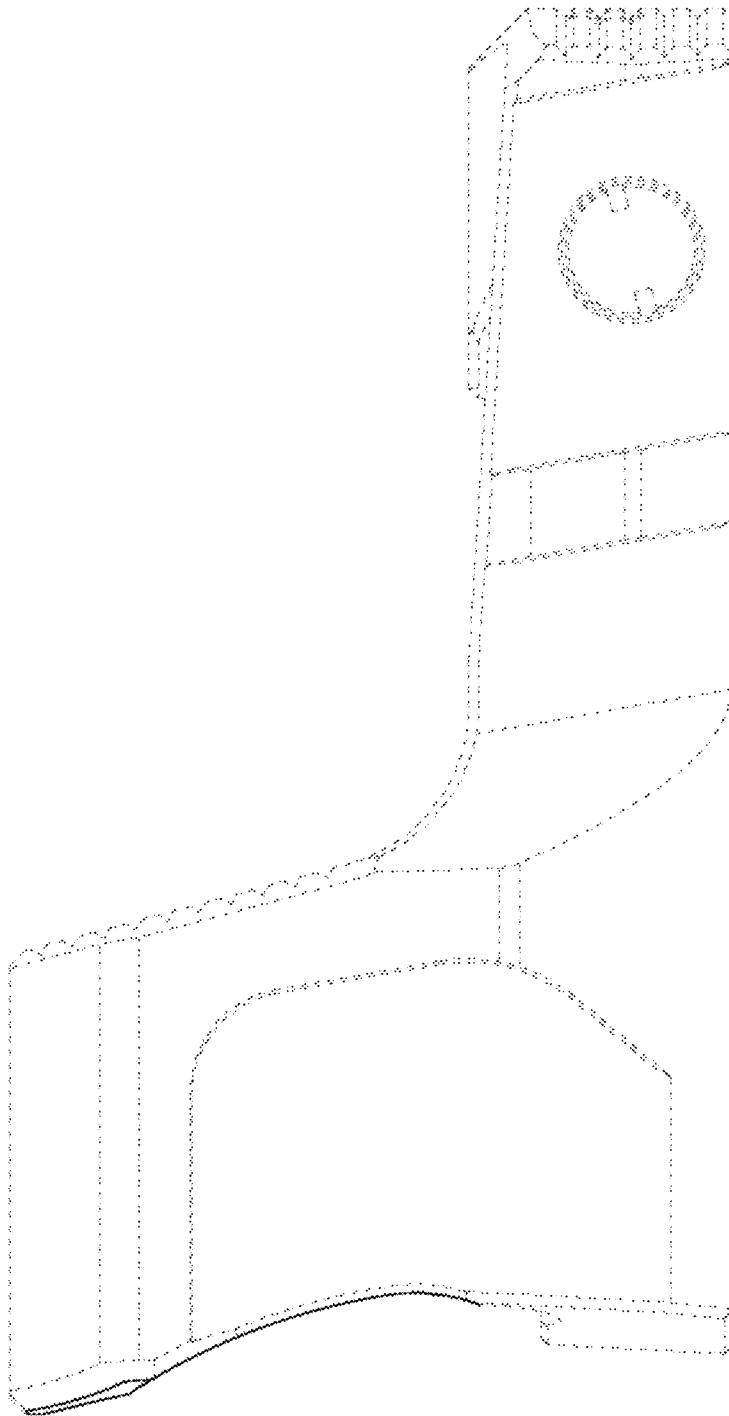


FIG. 8

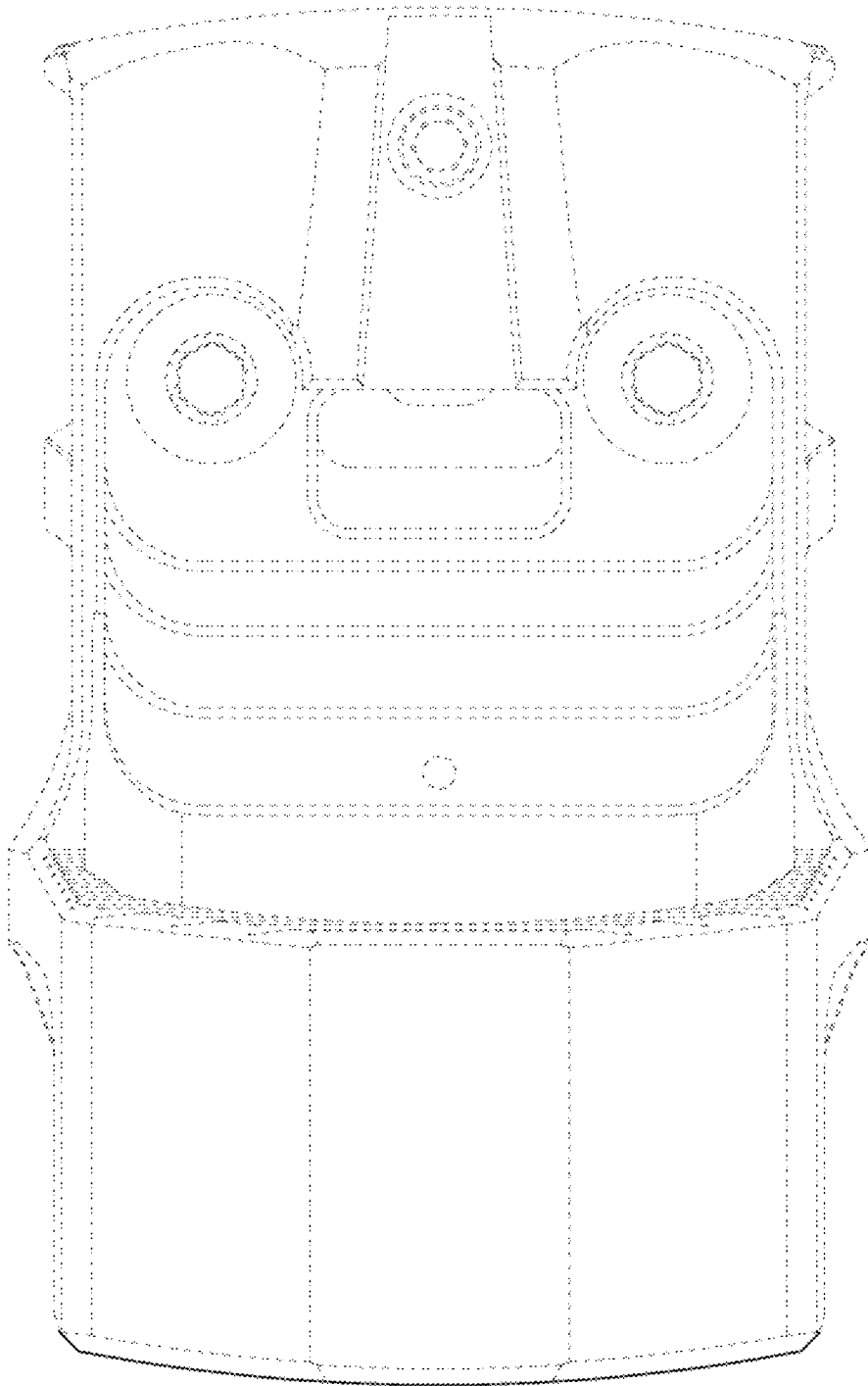


FIG. 9

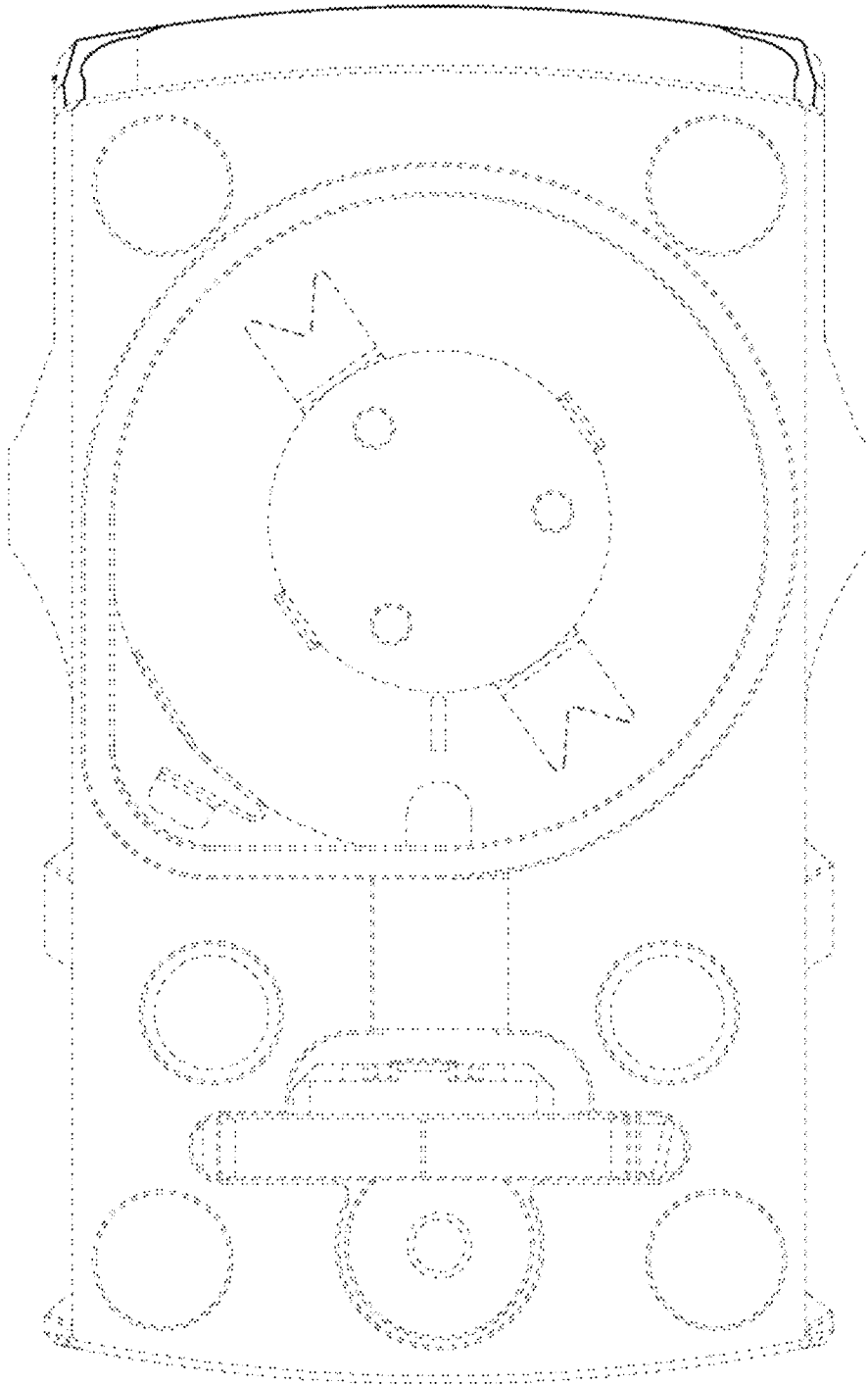


FIG. 10