



US00D963780S

(12) **United States Design Patent**  
**McKelvain et al.**

(10) **Patent No.:** **US D963,780 S**

(45) **Date of Patent:** **\*\* Sep. 13, 2022**

(54) **OPTIC FOR A FIREARM**

(71) Applicant: **Springfield, Inc.**, Geneseo, IL (US)

(72) Inventors: **Stephen H. McKelvain**, Geneseo, IL (US); **Peter J. Leach**, Davenport, IA (US); **Nick Ballard**, Galva, IL (US)

(73) Assignee: **Springfield, Inc.**, Geneseo, IL (US)

(\*\*) Term: **15 Years**

(21) Appl. No.: **29/760,143**

(22) Filed: **Nov. 30, 2020**

(51) **LOC (13) Cl.** ..... **22-01**

(52) **U.S. Cl.**  
USPC ..... **D22/109**

(58) **Field of Classification Search**  
USPC ..... D22/100, 103, 108, 109, 110, 199;  
D16/130  
CPC . F41G 11/003; F41G 1/14; F41G 1/38; F41G 1/16; F41G 1/02; F41G 1/06; F41A 23/005; F41C 23/16  
See application file for complete search history.

(56) **References Cited**

**U.S. PATENT DOCUMENTS**

D413,645 S	9/1999	Sheehan	
D420,088 S	2/2000	Sheehan	
D429,789 S	8/2000	Sheehan	
D450,800 S	10/2001	Sheehan	
6,327,806 B1	12/2001	Paige	
D460,512 S	7/2002	Sheehan	
7,634,866 B2	12/2009	Javorsky	
D612,006 S *	3/2010	Kohler	D22/109
D662,566 S	6/2012	Estes	
8,443,541 B2	5/2013	Elpedes et al.	
D747,431 S	1/2016	Cheng et al.	
D784,480 S	4/2017	Oz et al.	
9,752,853 B2 *	9/2017	Teetzel	F41G 1/35
D801,468 S	10/2017	Kedairy	
D819,161 S	5/2018	Kedairy	

D837,927 S	1/2019	Trulsson	
10,175,029 B2 *	1/2019	Teetzel	F41G 1/30
D846,689 S	4/2019	Cheng et al.	
D846,690 S	4/2019	Cheng et al.	

(Continued)

**FOREIGN PATENT DOCUMENTS**

DE 10 2017 128 920 A1 6/2019

**OTHER PUBLICATIONS**

“Springfield Armory Introduce New HEX Red Dot Optics” [online]. Matthew Moss. [Published on Feb. 24, 2021]. Retrieved from the Internet: <<https://www.thefirearmblog.com/blog/2021/02/24/springfield-armory-introduce-new-hex-red-dot-optics/>>.\*  
(Continued)

*Primary Examiner* — Mojtaba Tehrani  
(74) *Attorney, Agent, or Firm* — Woodard, Emhardt, Henry, Reeves & Wagner, LLP

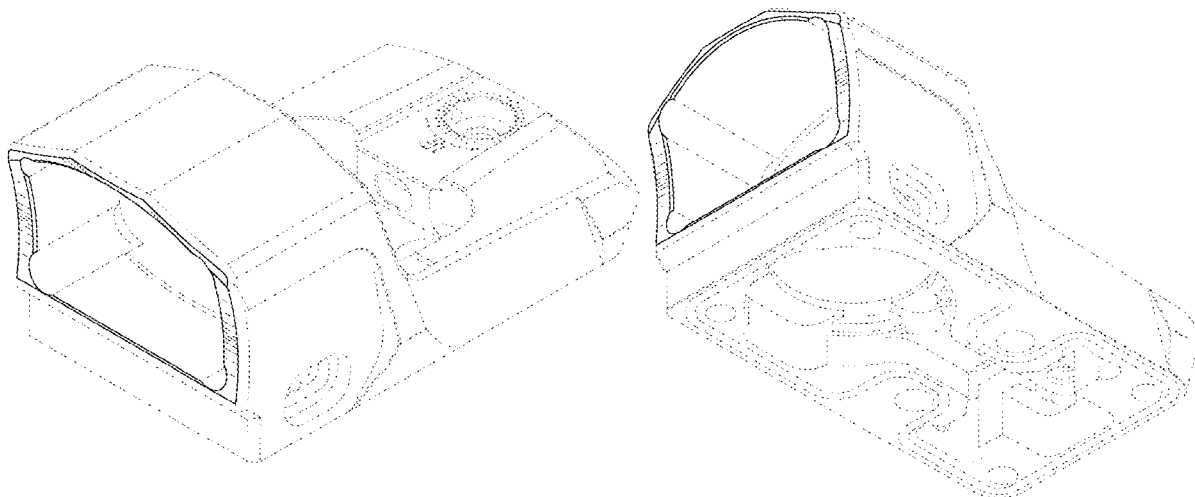
(57) **CLAIM**

The ornamental design for an optic for a firearm, as shown and described.

**DESCRIPTION**

FIG. 1 is a perspective view of the optic for a firearm showing our new design;  
FIG. 2 is a perspective view thereof;  
FIG. 3 is a perspective view thereof;  
FIG. 4 is a perspective view thereof;  
FIG. 5 is a front view thereof;  
FIG. 6 is a rear view thereof;  
FIG. 7 is a right side view thereof;  
FIG. 8 is a left side view thereof;  
FIG. 9 is a top view thereof; and,  
FIG. 10 is a bottom view thereof.  
The broken lines illustrate portions of the optic for a firearm that form no part of the claimed design.

**1 Claim, 10 Drawing Sheets**



(56)

**References Cited**

U.S. PATENT DOCUMENTS

D847,292	S	4/2019	Hoff	
D848,567	S *	5/2019	Soejima	D22/109
D849,180	S	5/2019	Cheng et al.	
D856,458	S	8/2019	Cheng et al.	
D856,459	S	8/2019	Hamilton et al.	
D869,596	S *	12/2019	Huston	D22/109
D872,219	S *	1/2020	Horton	D22/109
D875,875	S	2/2020	Jung et al.	
10,563,955	B2 *	2/2020	Pniel	F41G 1/387
D877,847	S	3/2020	Vail	
D895,052	S *	9/2020	Johnston	D22/109
D895,760	S *	9/2020	Johnston	D22/109
11,009,314	B2 *	5/2021	Courtice	F41G 1/01
2012/0151816	A1 *	6/2012	Kleck	F41G 1/30 42/111
2014/0109456	A1 *	4/2014	Jung	F41G 1/30 42/113
2015/0198415	A1 *	7/2015	Campean	F41G 1/30 42/137

OTHER PUBLICATIONS

English Translation of DE 10 2017 128 920, retrieved Mar. 8, 2021.  
 Ammoland, DARC Micro Pistol dot from Sousa Optics, Retrieved May 24, 2022.  
 Ammoland, EAA Corp. New MC9 Pistol, Retrieved May 24, 2022.  
 Canik New Red Dot Sight Pistol for Mekanik Review, YouTube, Retrieved May 24, 2022.

CT Rad Micro PRO, YouTube, Retrieved May 24, 2022.  
 Mepro Foresight, YouTube, Retrieved May 24, 2022.  
 Mepro M5, YouTube Video, Retrieved May 24, 2022.  
 Mepro RDS Series, YouTube Video, Retrieved May 24, 2022.  
 Optics Factory, Red Dot Sight for Beretta, Retrieved May 3, 2021.  
 Academy Website Red Dot Sights, Retrieved Apr. 20, 2022.  
 Academy Website Reflex Sights, Retrieved Apr. 20, 2022.  
 Holographic Sights Academy, Holographic Sights, Retrieved Apr. 20, 2022.  
 Holsun Open Reflex sight, Retrieved Apr. 20, 2022.  
 Leupold Deltapoint Pro Red Dot Sights, Retrieved Apr. 20, 2022.  
 Meprolight Foresight Reflex Optic Web Page, Retrieved Apr. 20, 2022.  
 Meprolight Website for Optics and Sights, Retrieved Apr. 20, 2022.  
 NCStar Website, VISM Microdot Reflex Optic with Quick Release, Retrieved Apr. 20, 2022.  
 Optics Den Webpage with Dagger Defense, Retrieved Apr. 20, 2022.  
 Optics Planet.com Website, Steiner HT QD 1913 Mount, Retrieved Apr. 20, 2022.  
 Reflex Optics Web p. 1, Retrieved Apr. 20, 2022.  
 Reflex Optics Web p. 2, Retrieved Apr. 20, 2022.  
 Sig Sauer Website, Reflex Optics, Retrieved Apr. 20, 2022.  
 TruGlo Website, Dot Optics, Retrieved Apr. 20, 2022.  
 VISM Flip Dot Red Dot Reflex Optic, Retrieved Apr. 20, 2022.  
 Web page for Trijicon Reflex/Red Dot sights, Retrieved Apr. 20, 2022.

\* cited by examiner

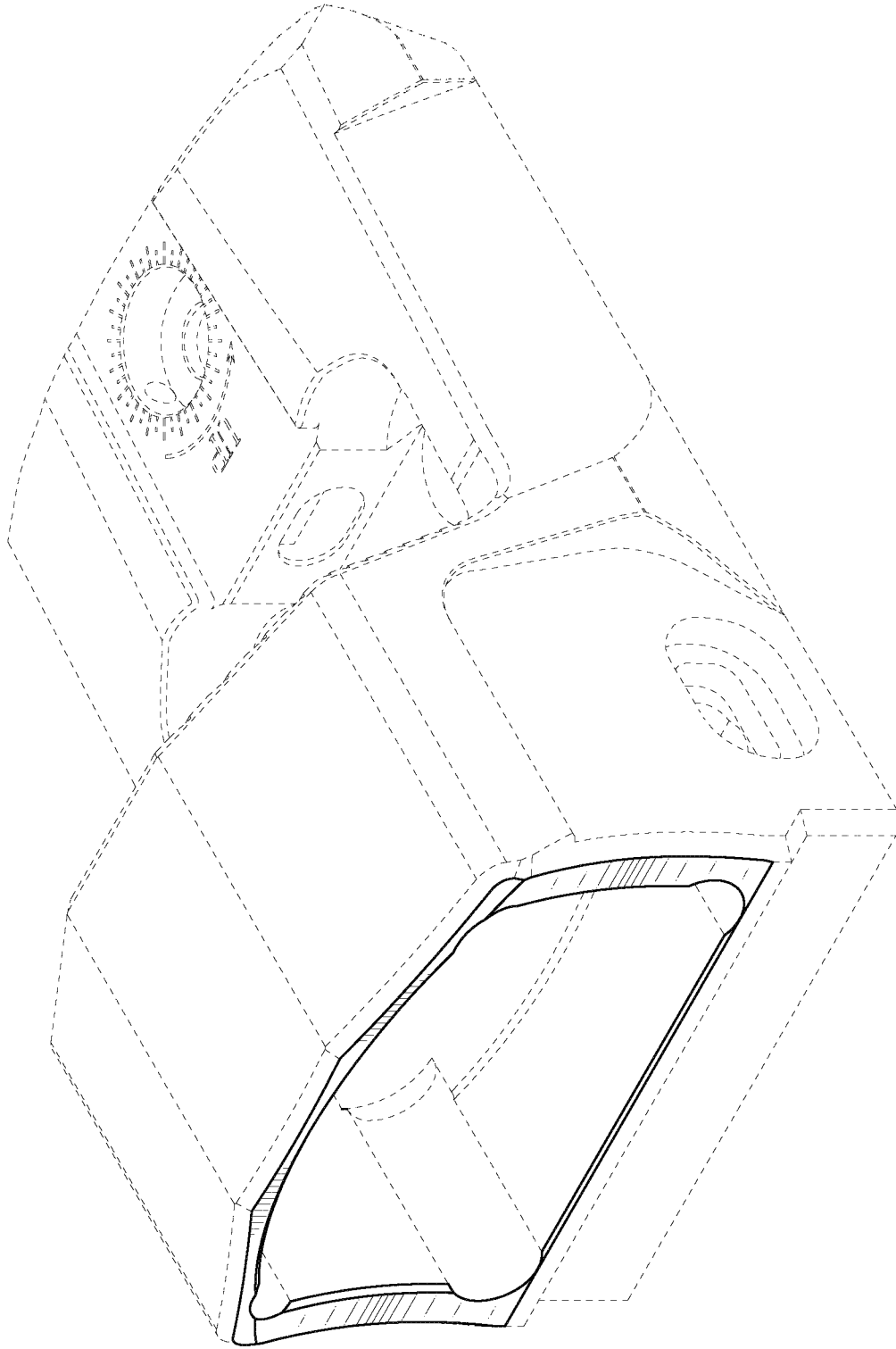


FIG. 1

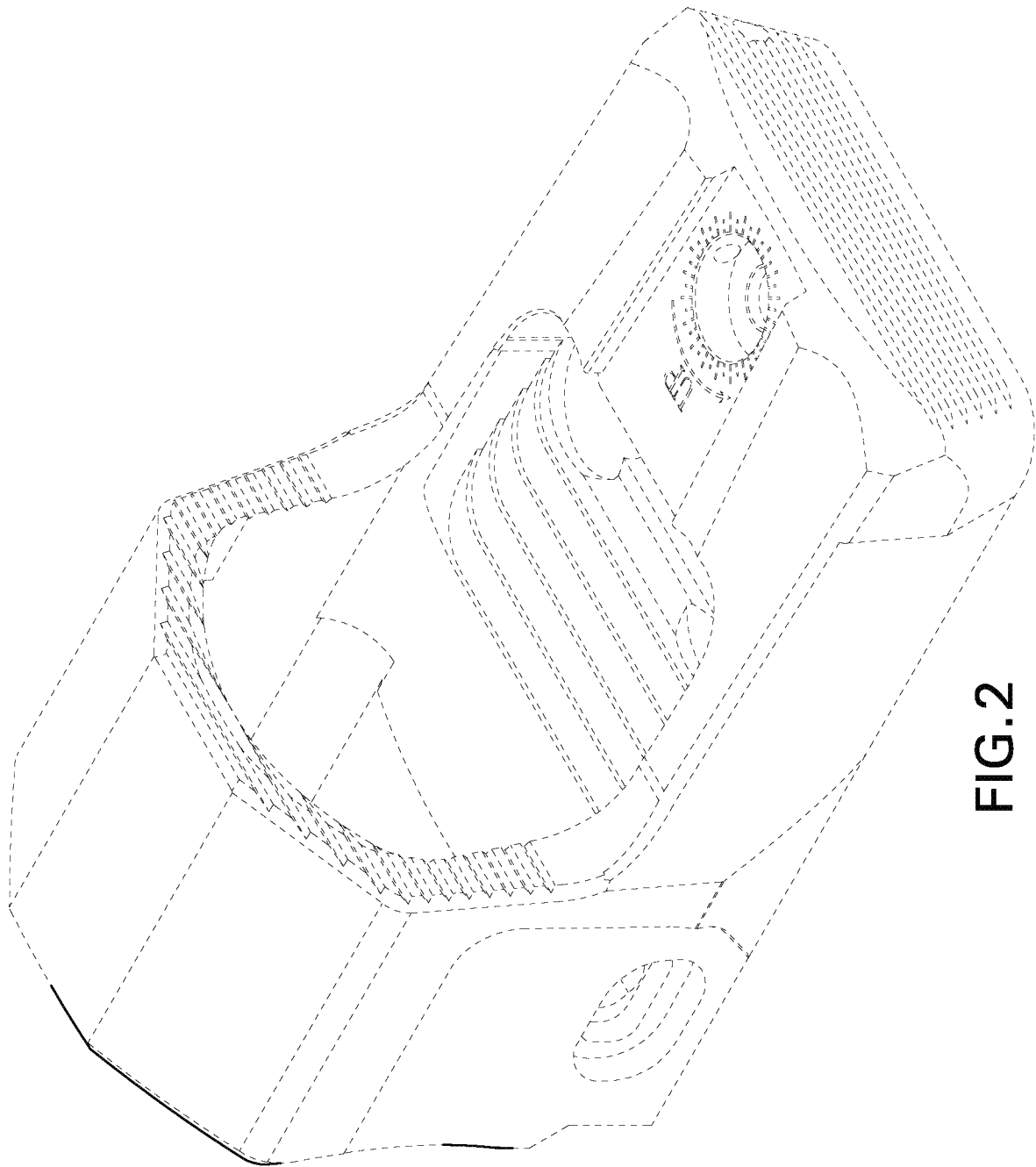


FIG. 2

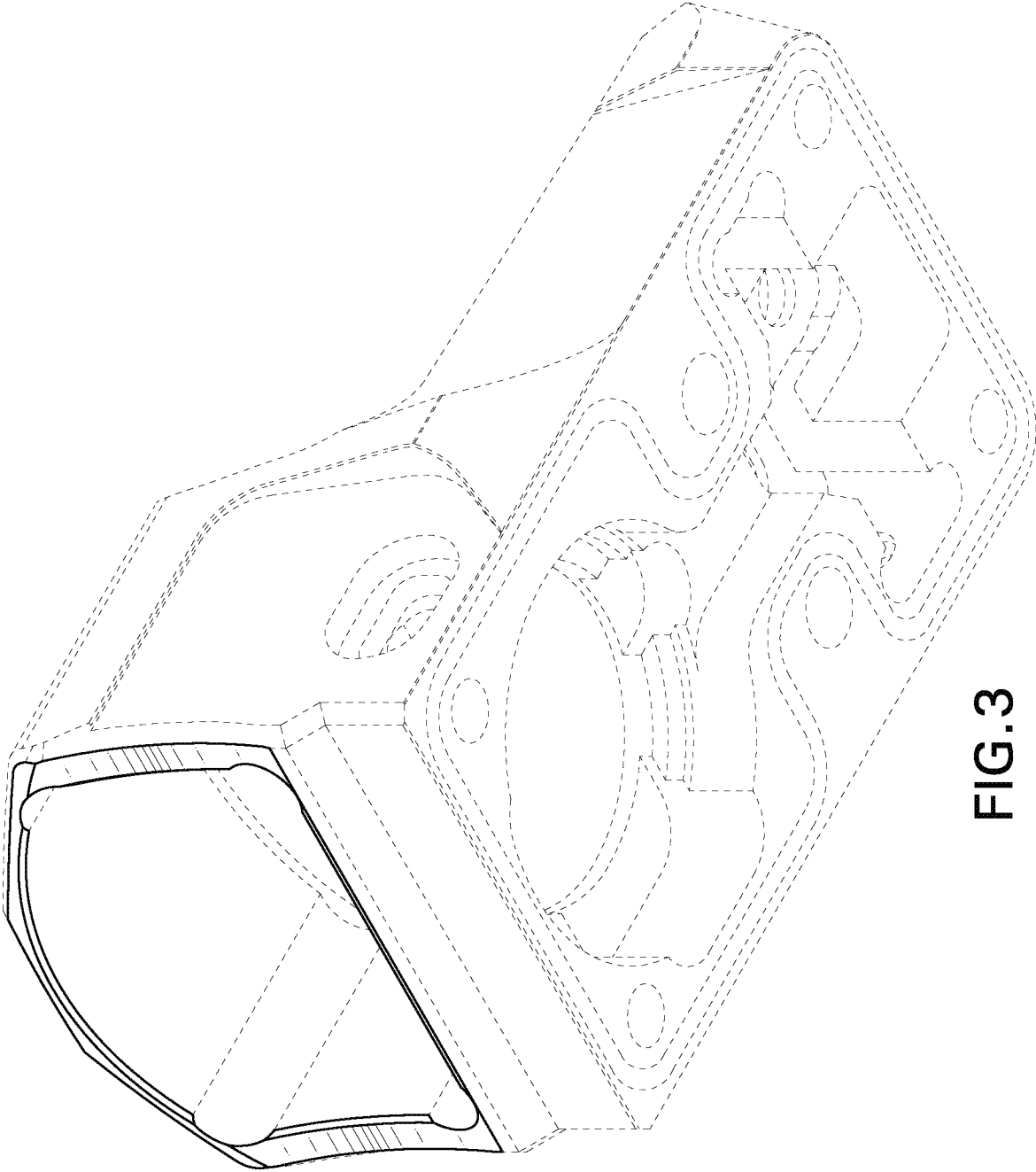


FIG.3

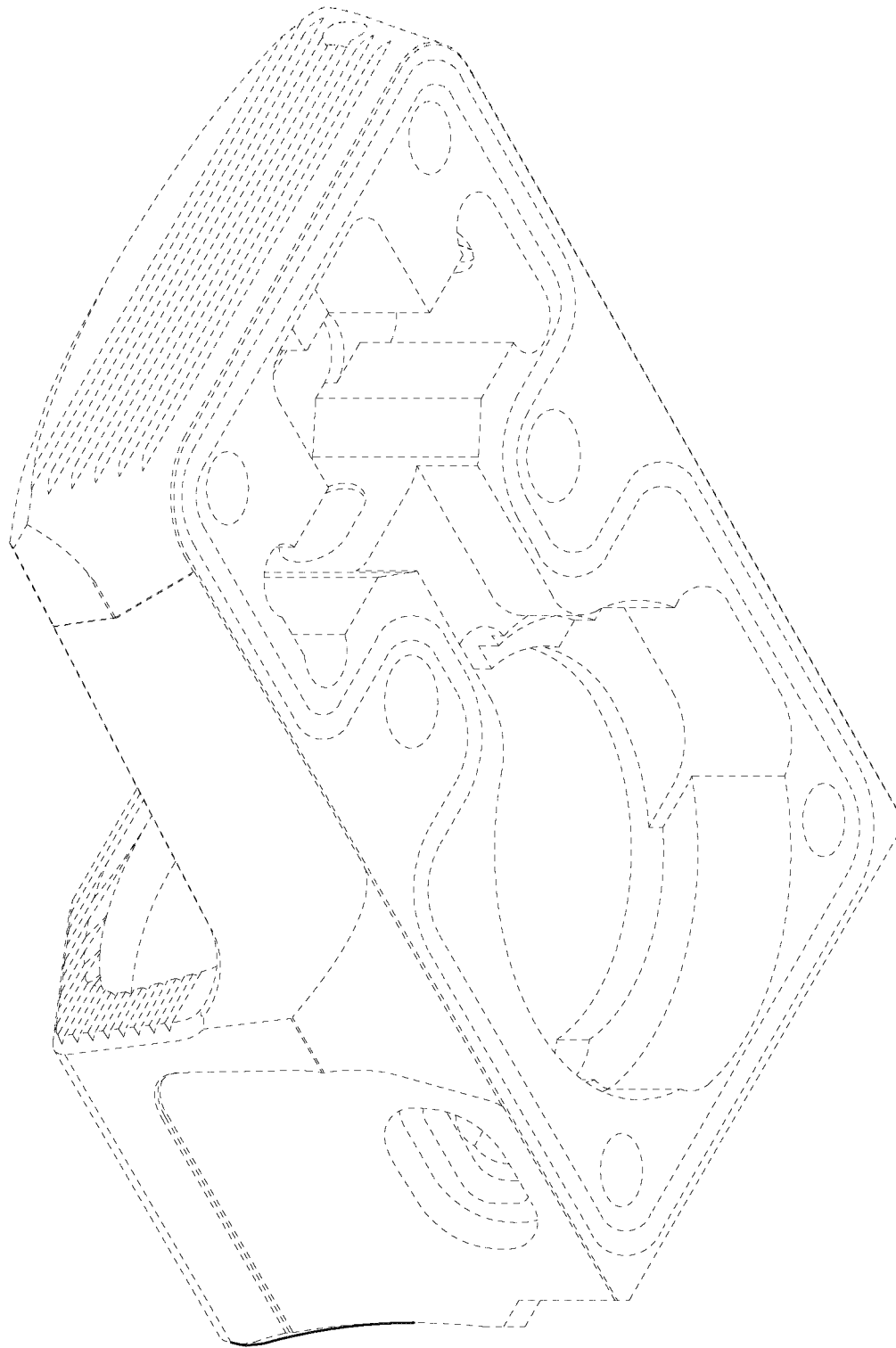


FIG.4

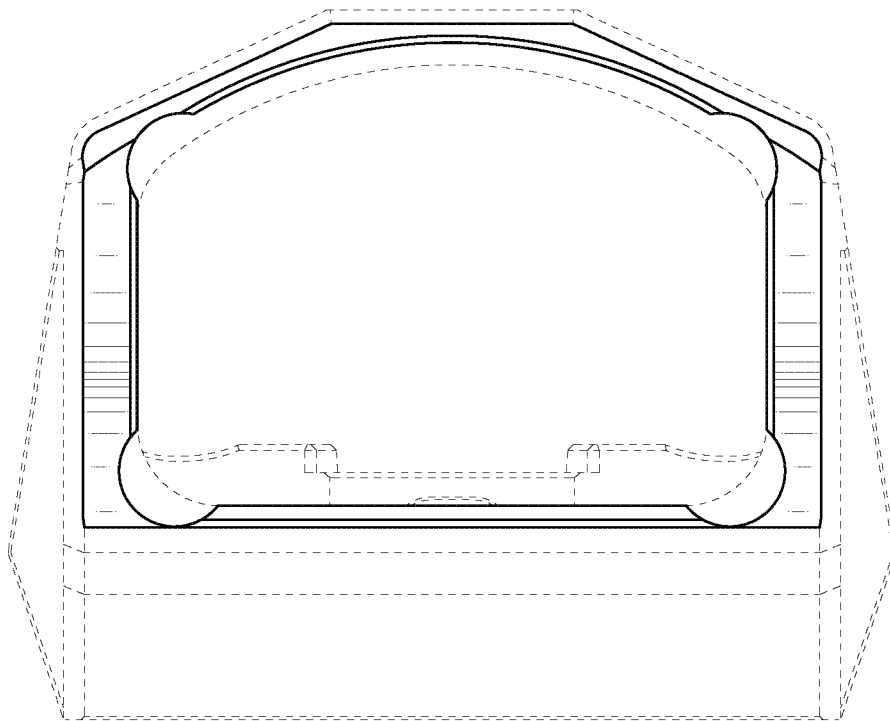


FIG.5

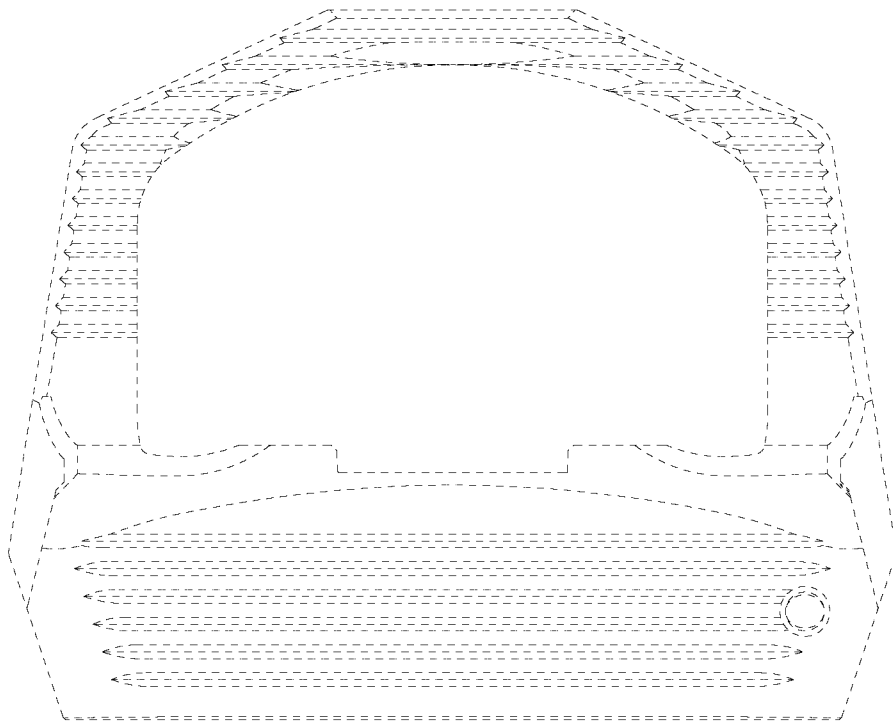


FIG.6



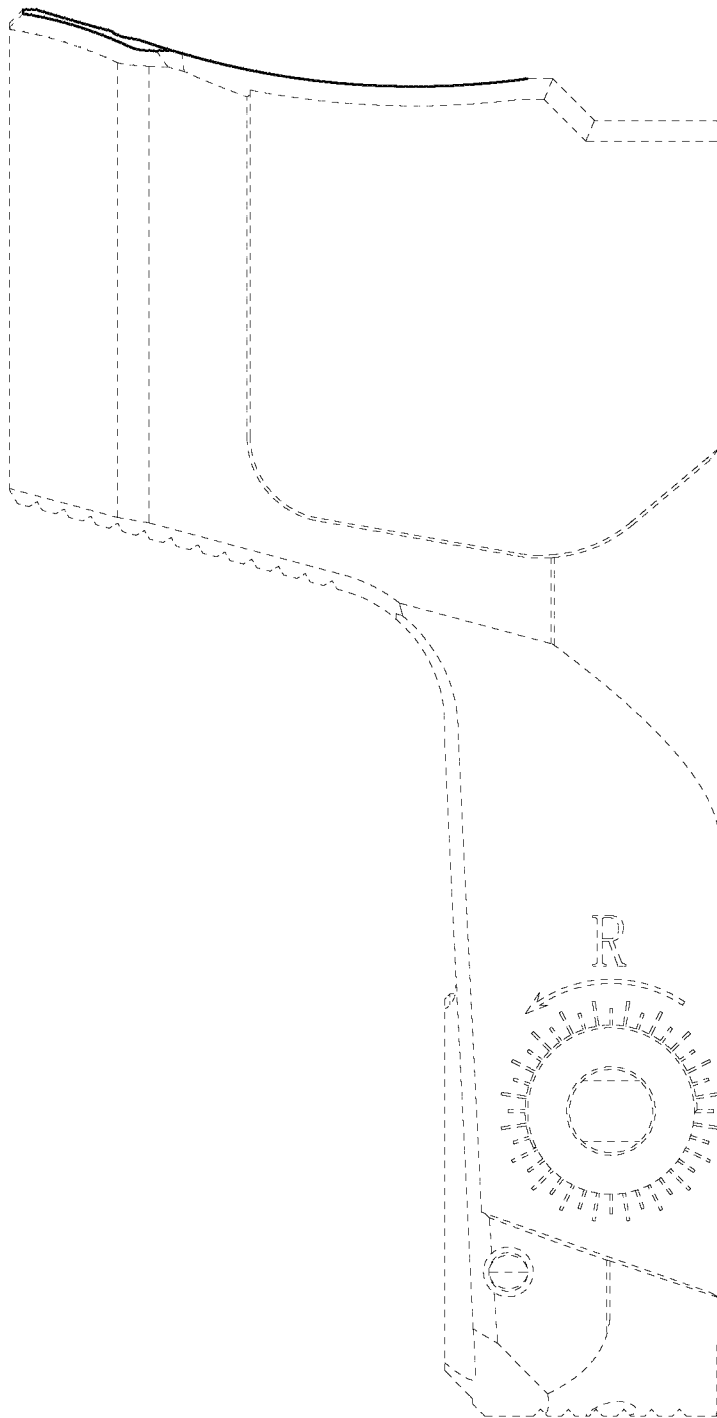


FIG. 7

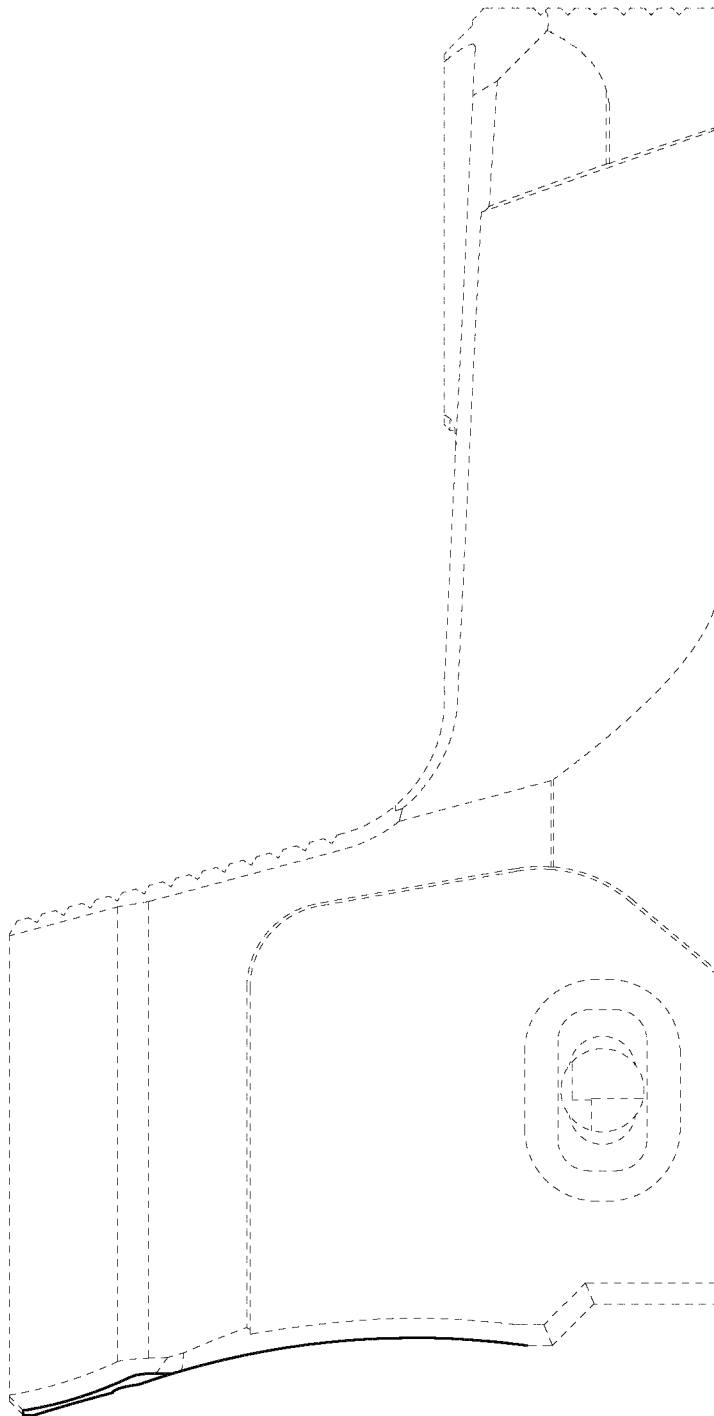


FIG. 8

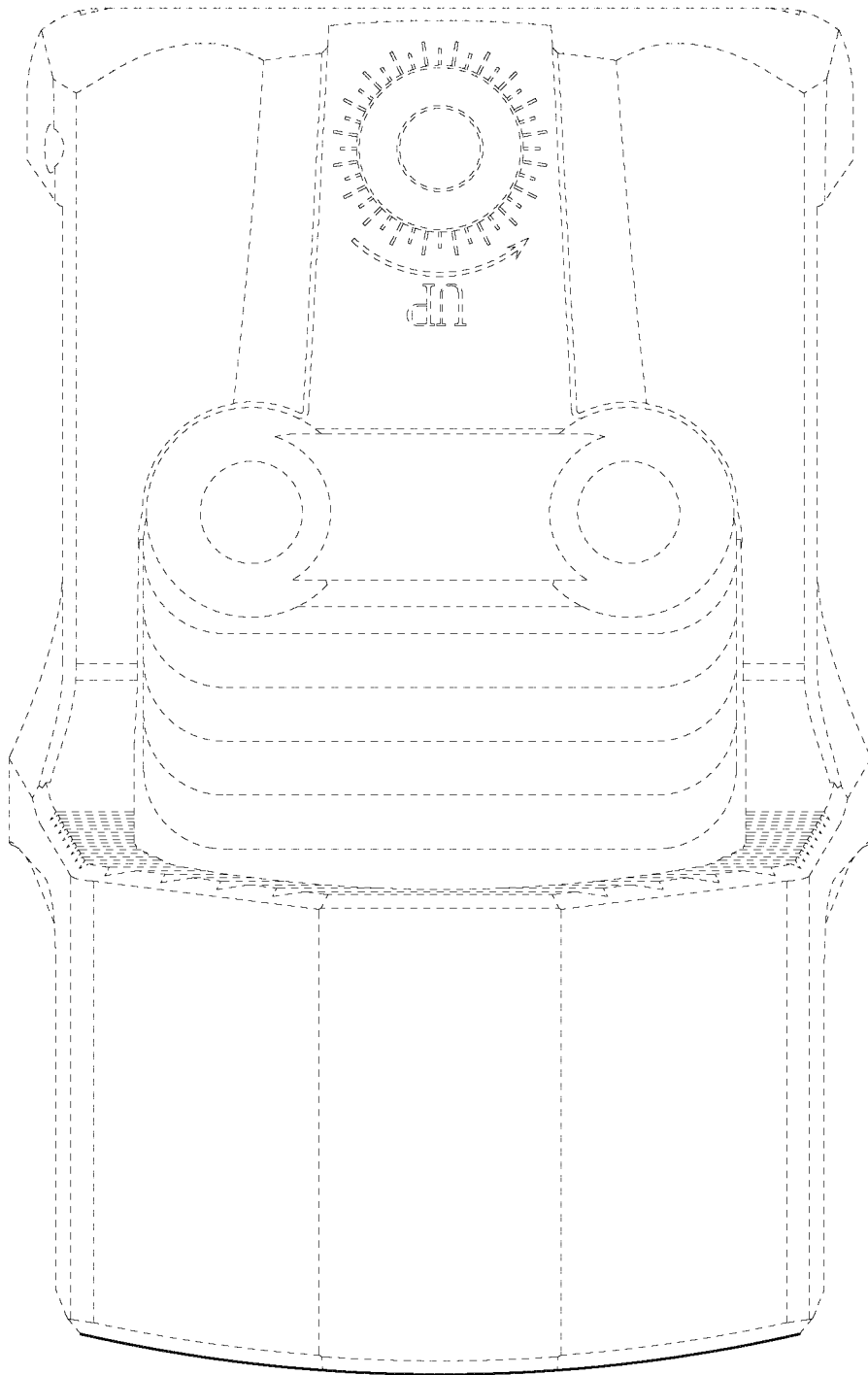


FIG.9

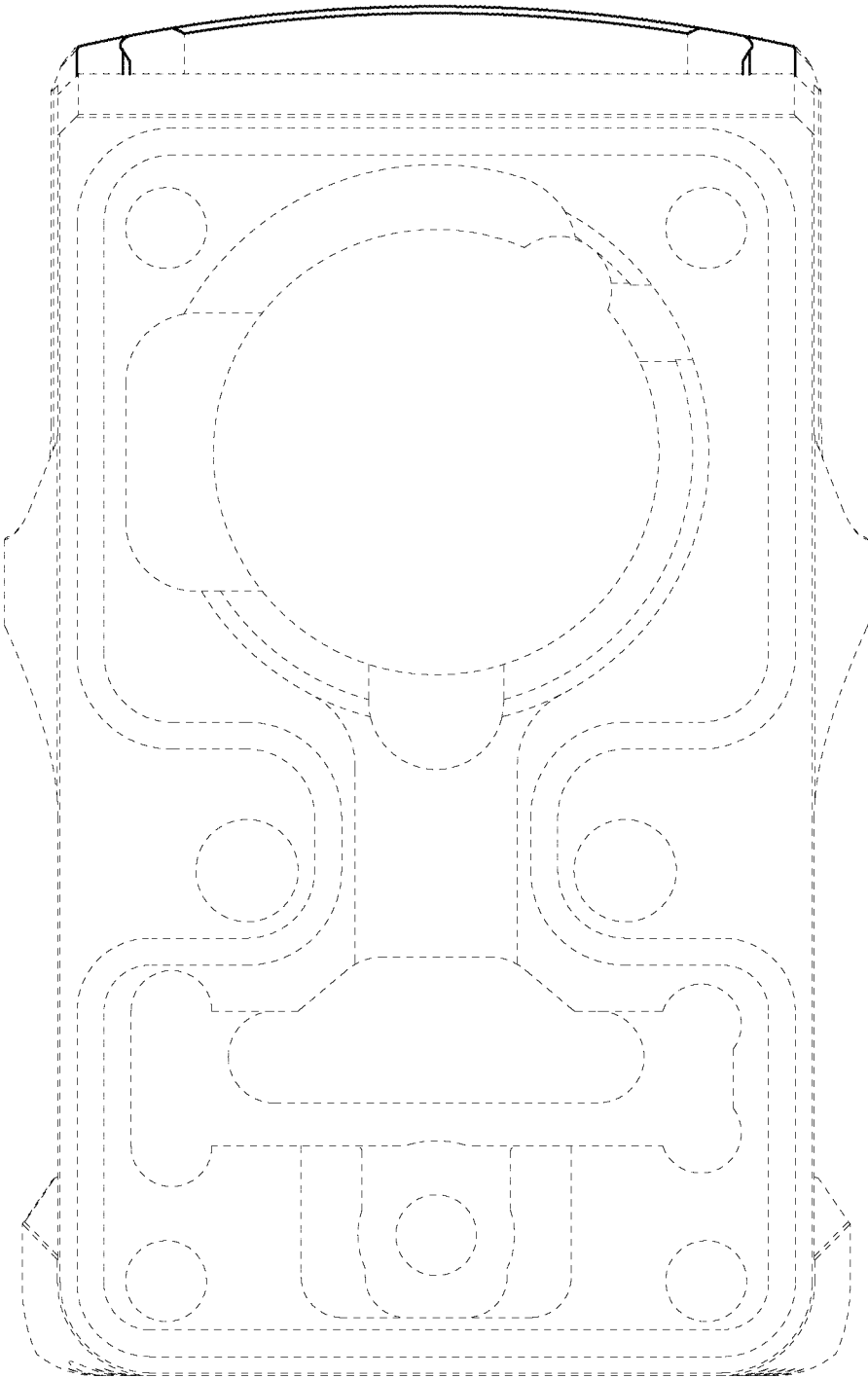


FIG. 10